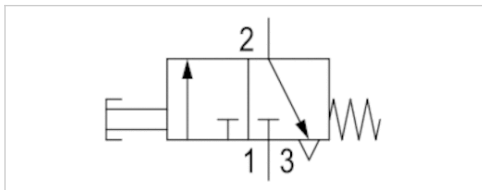


3/2-directional valve, Series A- Pilotair®

- For panel installation, manually operated, 2-BA-1
- Qn = 1308.72 l/min
- Compressed air connection output 1/4" NPTF



Type	Poppet valve
Activation	Manual
Sealing principle	Soft sealing
Nominal flow Qn	1308.72 l/min
Working pressure min./max.	0 ... 13.7 bar
Control pressure min./max.	0 ... 17.3 bar
Ambient temperature min./max.	-40 ... 71 °C
Medium temperature min./max.	-40 ... 71 °C
Medium	Compressed air
Max. particle size	50 µm
Oil content of compressed air	0 ... 1 mg/m³
Weight	0.45 kg



Technical data

Part No.	Version	Compressed air connection Input	Compressed air connection Output
R431003427	NC	1/4" NPTF	1/4" NPTF
R431003429	NC	1/4" NPTF	1/4" NPTF
R431003430	NC	1/4" NPTF	1/4" NPTF

Part No.	Housing material
R431003427	Die-cast aluminum
R431003429	Die-cast aluminum chromated
R431003430	Die-cast aluminum black painted

Technical information

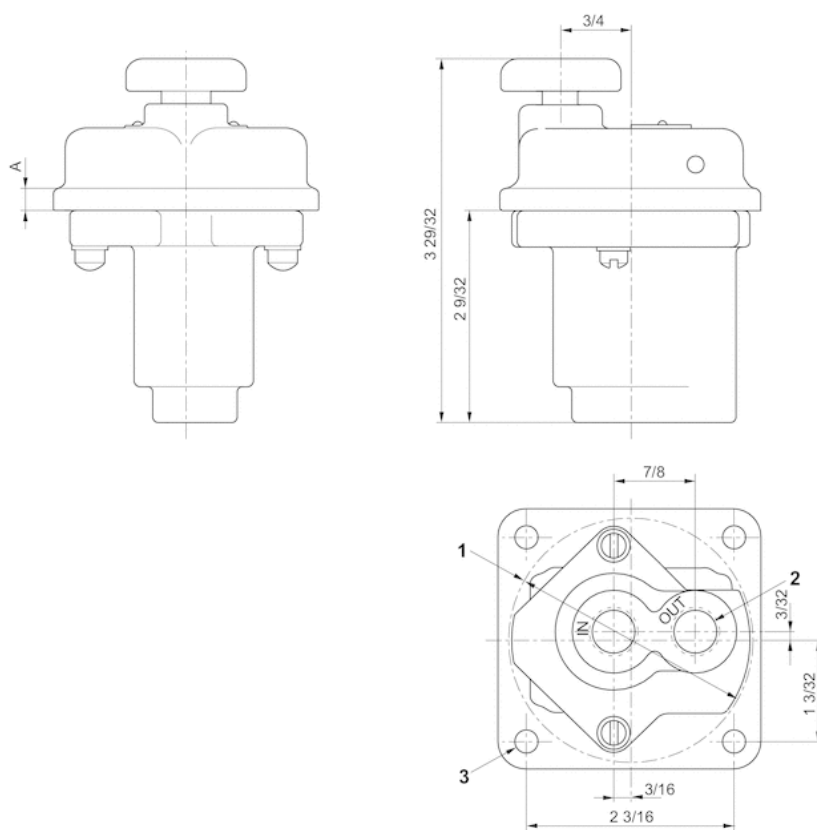
The model 2-BA-1 PILOTAIR Valve is a panel mounted, 2 position button operated 3-way valve with 1/4" NPT inlet and outlet ports.

Technical information

Material	
Housing	Die-cast aluminum Die-cast aluminum, chromated Die-cast aluminum, black painted

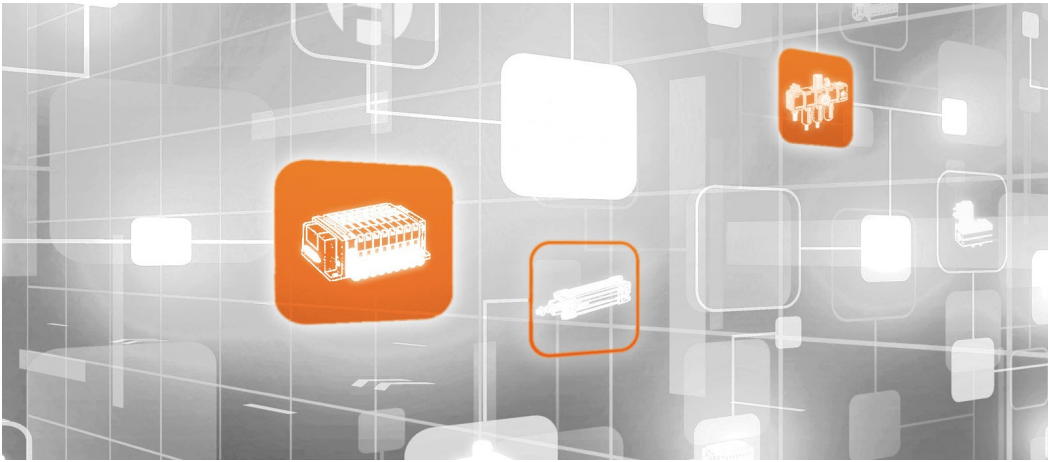
Dimensions

Dimensions in inches



- 1) Mounting hole $\text{Ø}2\ 9/16$
- 2) $1/4 - 18\ \text{NPTF}$ 2 ports
- 3) $9/32$ diameter (4) places ports on bottom

Efficient pneumatic solutions, our program: cylinders and drives, valves and valve systems, air supply management



Visit us: [Emerson.com/Aventics](https://www.emerson.com/Aventics)

Your local contact: [Emerson.com/contactus](https://www.emerson.com/contactus)



[Emerson.com](https://www.emerson.com)



[Facebook.com/EmersonAutomationSolutions](https://www.facebook.com/EmersonAutomationSolutions)



[LinkedIn.com/company/Emerson-Automation-Solutions](https://www.linkedin.com/company/Emerson-Automation-Solutions)



[Twitter.com/EMR_Automation](https://twitter.com/EMR_Automation)

An example configuration is depicted on the title page. The delivered product may thus vary from that in the illustration. Subject to change. This Document, as well as the data, specifications and other information set forth in it, are the exclusive property of AVENTICS GmbH. It may not be reproduced or given to third parties without its consent. Only use the AVENTICS products shown in industrial applications. Read the product documentation completely and carefully before using the product. Observe the applicable regulations and laws of the respective country. When integrating the product into applications, note the system manufacturer's specifications for safe use of the product. The data specified only serve to describe the product. No statements concerning a certain condition or suitability for a certain application can be derived from our information. The information given does not release the user from the obligation of own judgement and verification. It must be remembered that the products are subject to a natural process of wear and aging.

The Emerson logo is a trademark and service mark of Emerson Electric Co. Brand logotype are registered trademarks of one of the Emerson family of companies. All other marks are the property of their respective owners. © 2020 Emerson Electric Co. All rights reserved.
2020-12



CONSIDER IT SOLVED™