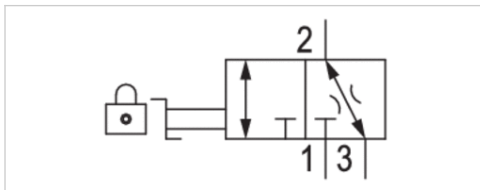


# 3/2-shut-off valve, mechanically operated, Series AS1-BAV

- Qn 1►2 = 2600 l/min
- Qn 2►3 = 330 l/min
- Compressed air connection output G 1/4



Type	Ball valve
Activation	Mechanical
Lock type	lockable
Actuating element	rotary switch
Working pressure min./max.	0 ... 12 bar
Ambient temperature min./max.	-10 ... 50 °C
Medium temperature min./max.	-10 ... 50 °C
Medium	Compressed air Neutral gases
Max. particle size	25 µm
Weight	0,15 kg



## Technical data

Part No.	Compressed air connection type	Compressed air connection Input	Compressed air connection Output
R412014664	Internal thread	G 1/4	G 1/4

Part No.	Compressed air connection Exhaust	Flow	Flow	Lock type
		Qn 1 ► 2	Qn 2 ► 3	
R412014664	G 1/4	2600 l/min	330 l/min	for padlocks

Nominal flow Qn with secondary pressure p2 = 6 bar at Δp = 1 bar

## Technical information

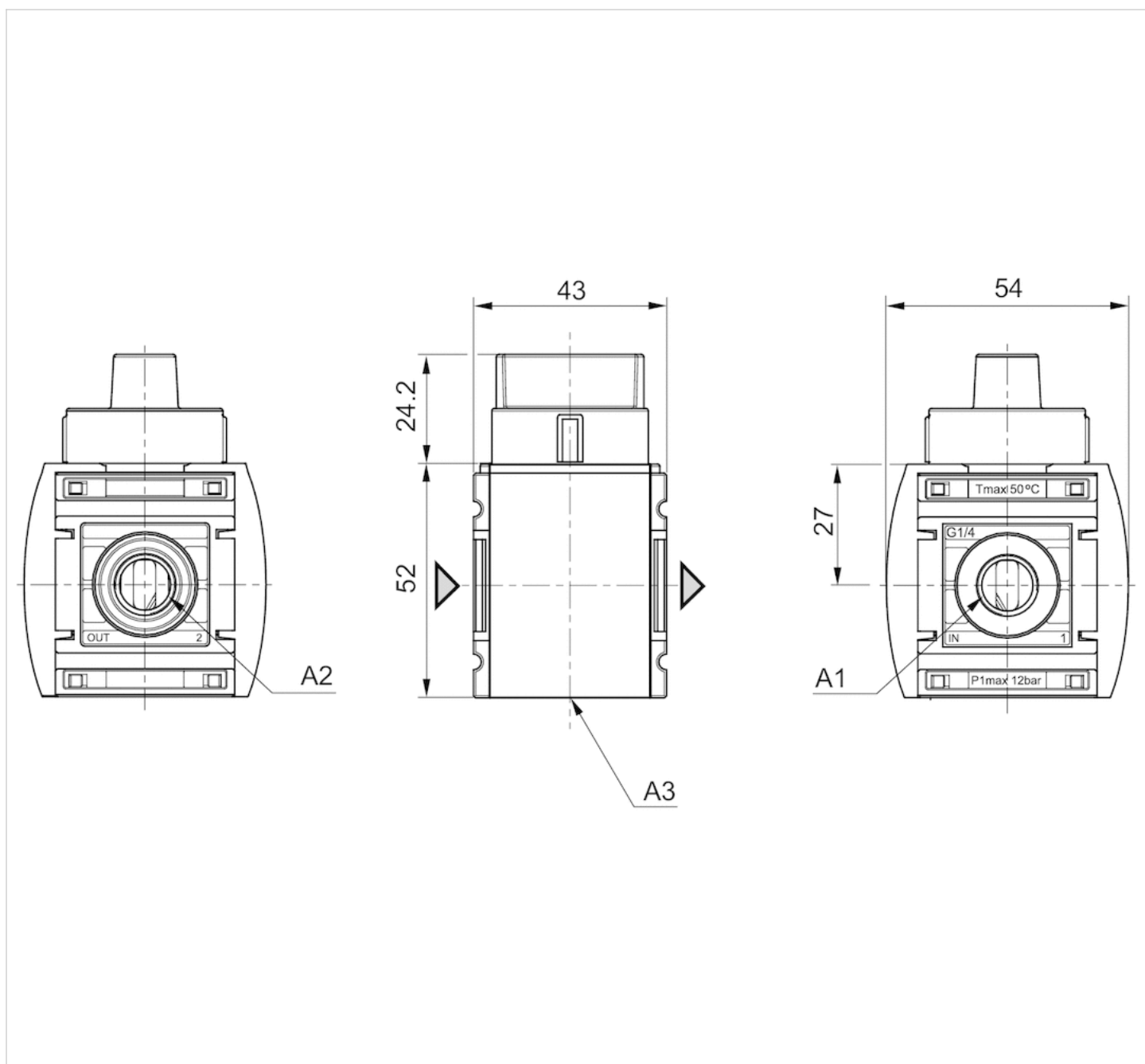
The pressure dew point must be at least 15 °C under ambient and medium temperature and may not exceed 3 °C .

## Technical information

Material	
Housing	Polyamide
Front plate	Acrylonitrile butadiene styrene
Seals	Acrylonitrile butadiene rubber
Actuating element	Polyoxymethylene

## Dimensions

### Dimensions in mm



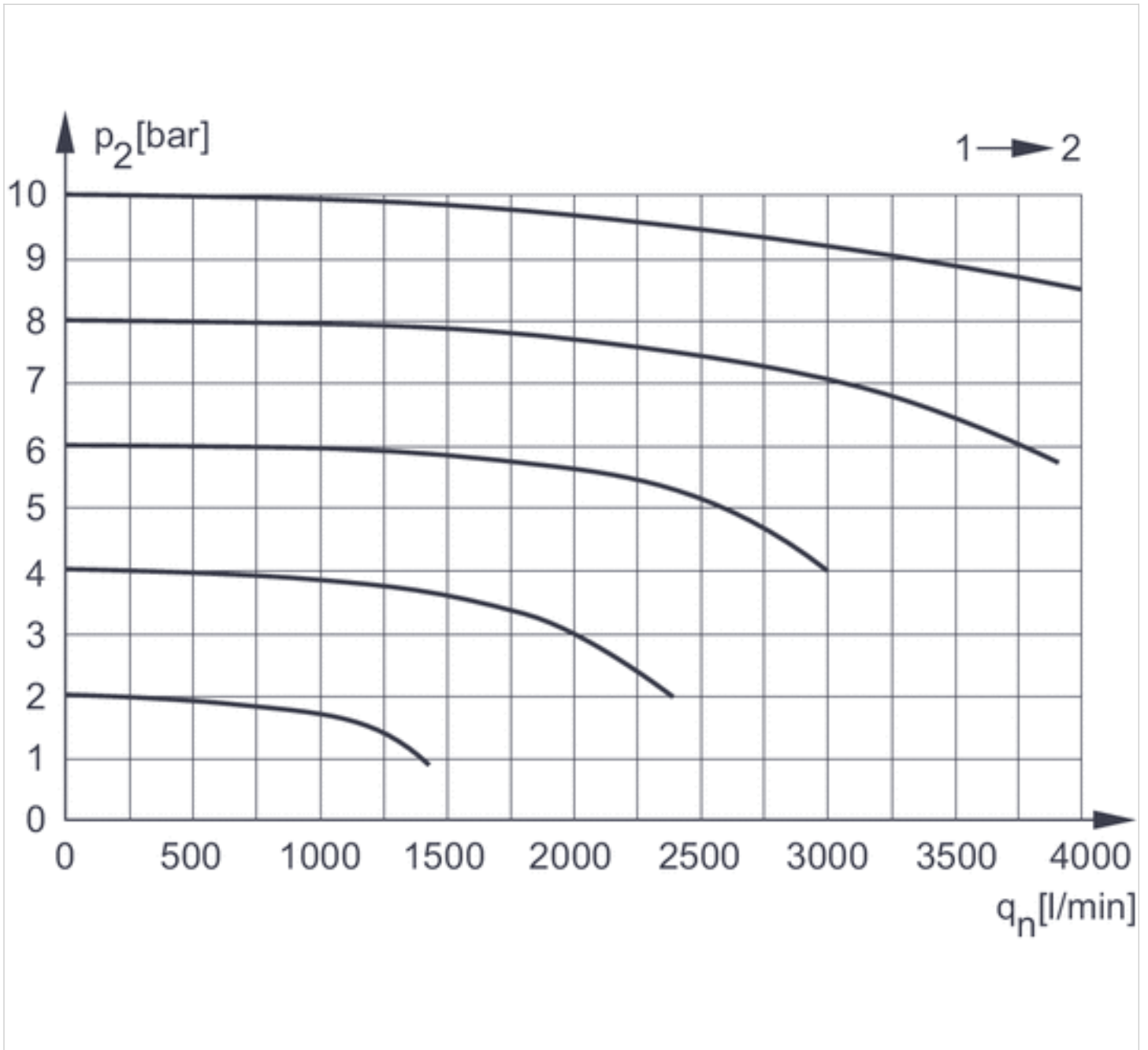
A1 = input

A2 = output

A3 = ventilation port

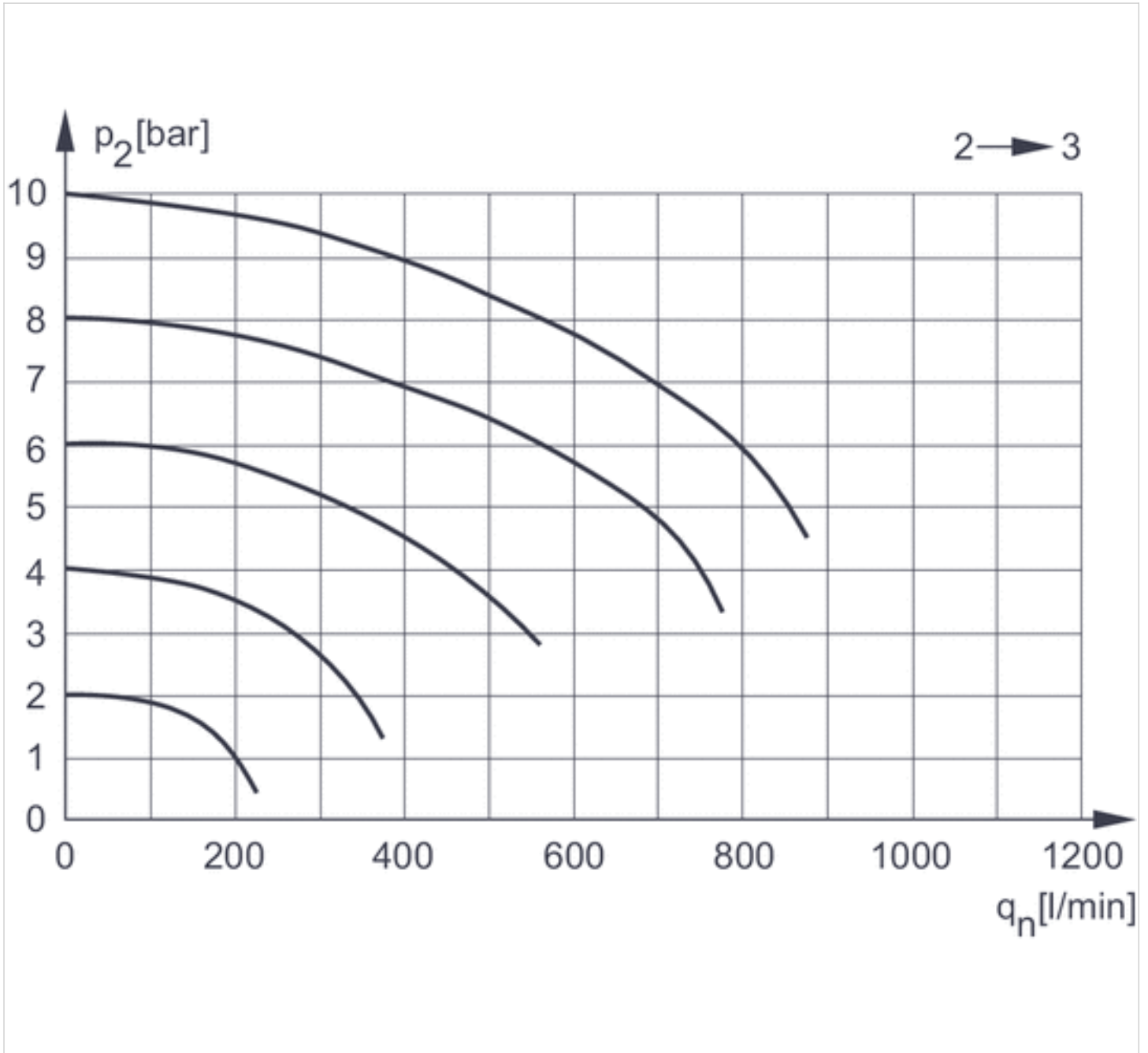
# Diagrams

## Flow rate characteristic



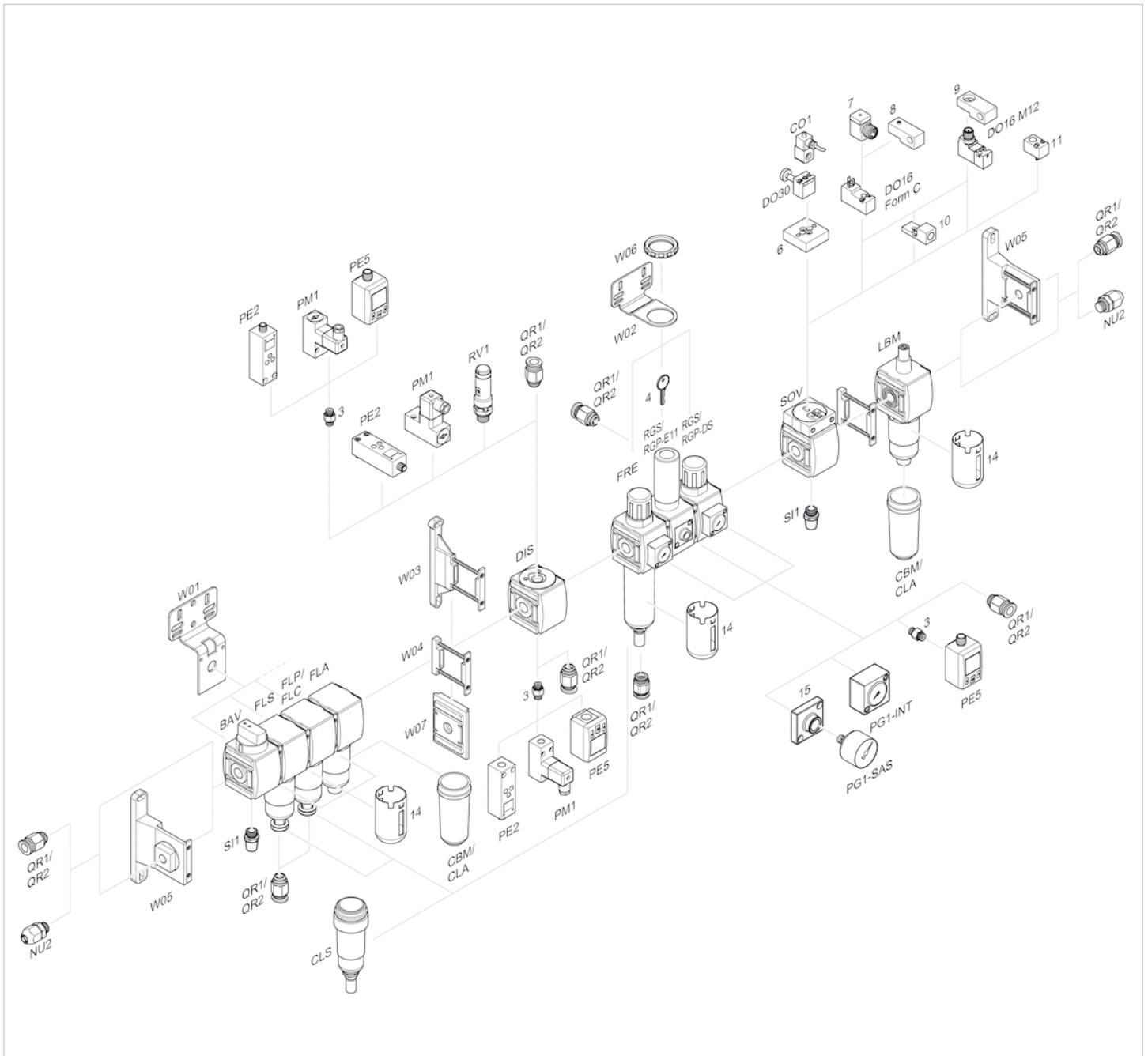
$p_2$  = secondary pressure  
 $q_n$  = nominal flow

Rear exhaust



$p_2$  = secondary pressure  
 $q_n$  = nominal flow

# Accessories overview



- 3 = Double nipple
- 4 = Key for E11 locking
- 6 = Transition plate DO30
- 7 = Adapter, Series CON-VP
- 8 = Mounting aid DO16, form C
- 9 = Mounting aid DO16, M12
- 10 = Adapter for external pilot air
- 11 = Adapter pneumatic operation
- 14 = Protective guard
- 15 = Transition plate for assembling a pressure gauge with connection thread G 1/8

# Efficient pneumatic solutions, our program: cylinders and drives, valves and valve systems, air supply management



Visit us: [Emerson.com/Aventics](https://www.emerson.com/Aventics)

Your local contact: [Emerson.com/contactus](https://www.emerson.com/contactus)



[Emerson.com](https://www.emerson.com)



[Facebook.com/EmersonAutomationSolutions](https://www.facebook.com/EmersonAutomationSolutions)



[LinkedIn.com/company/Emerson-Automation-Solutions](https://www.linkedin.com/company/Emerson-Automation-Solutions)



[Twitter.com/EMR\\_Automation](https://twitter.com/EMR_Automation)

An example configuration is depicted on the title page. The delivered product may thus vary from that in the illustration. Subject to change. This Document, as well as the data, specifications and other information set forth in it, are the exclusive property of AVENTICS GmbH. It may not be reproduced or given to third parties without its consent. Only use the AVENTICS products shown in industrial applications. Read the product documentation completely and carefully before using the product. Observe the applicable regulations and laws of the respective country. When integrating the product into applications, note the system manufacturer's specifications for safe use of the product. The data specified only serve to describe the product. No statements concerning a certain condition or suitability for a certain application can be derived from our information. The information given does not release the user from the obligation of own judgement and verification. It must be remembered that the products are subject to a natural process of wear and aging.

The Emerson logo is a trademark and service mark of Emerson Electric Co. Brand logotype are registered trademarks of one of the Emerson family of companies. All other marks are the property of their respective owners. © 2020 Emerson Electric Co. All rights reserved.  
2020-12



**CONSIDER IT SOLVED™**