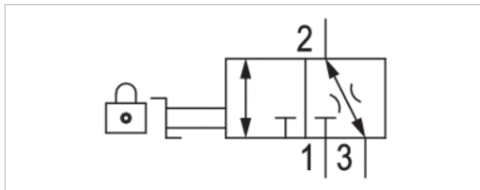


3/2-shut-off valve, mechanically operated, Series AS5-BAV

- Qn 1►2 = 30000 l/min
- Qn 2►3 = 130 l/min
- Compressed air connection output G 3/4 G 1
- suitable for ATEX



Type	Ball valve
Activation	Mechanical
Lock type	lockable
Actuating element	rotary switch
Sealing principle	metal/metal sealing
Certificates	suitable for ATEX
Working pressure min./max.	0 ... 16 bar
Ambient temperature min./max.	-10 ... 50 °C
Medium temperature min./max.	-10 ... 50 °C
Medium	Compressed air Neutral gases
Max. particle size	25 µm
Weight	0,825 kg



Technical data

Part No.	Compressed air connection type	Compressed air connection Input	Compressed air connection Output
R412009260	Internal thread	G 3/4	G 3/4
R412009261	Internal thread	G 1	G 1

Part No.	Compressed air connection Exhaust	Flow	Flow	Lock type	Locking base
		Qn 1 ► 2	Qn 2 ► 3		
R412009260	G 3/4	30000 l/min	130 l/min	for padlocks	Steel galvanized
R412009261	G 3/4	30000 l/min	130 l/min	for padlocks	Steel galvanized

Nominal flow Qn with secondary pressure p2 = 6 bar at Δp = 1 bar

Suitable for use in Ex zones 1, 2, 21, 22.

Technical information

The pressure dew point must be at least 15 °C under ambient and medium temperature and may not exceed 3 °C .

Suitable for use in Ex zones 1, 2, 21, 22.

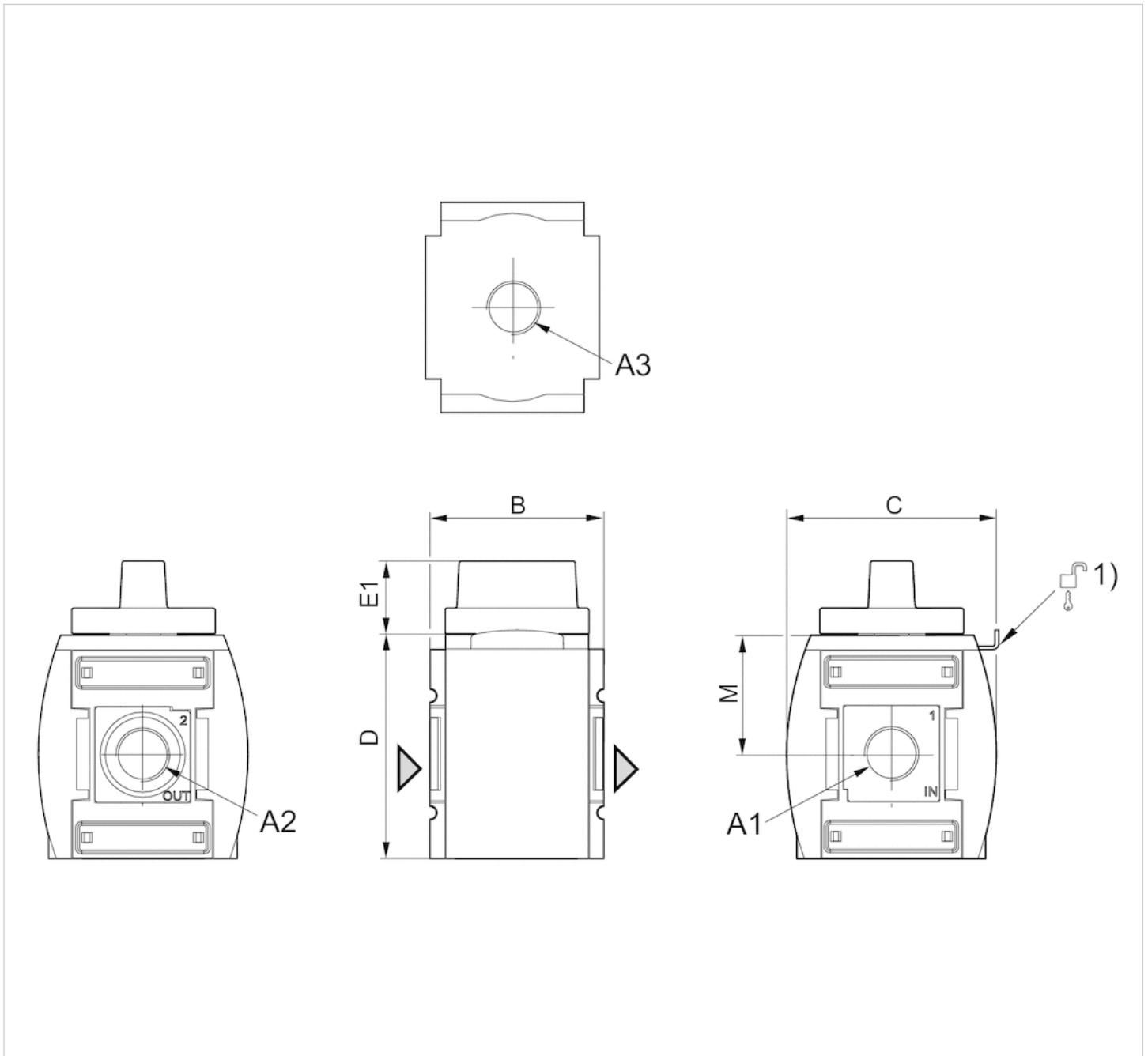
A change in the flow direction (from air supply on the left to air supply on the right) occurs by rotating installation by 180° about the vertical axis. Please see the operating instructions for further details.

Technical information

Material	
Housing	Polyamide
Front plate	Acrylonitrile butadiene styrene
Seals	Polytetrafluorethylene
Threaded bushing	Die cast zinc
Actuating element	Polyoxymethylene
Locking base	Steel, galvanized

Dimensions

Dimensions



A1 = input

A2 = output

A3 = ventilation port

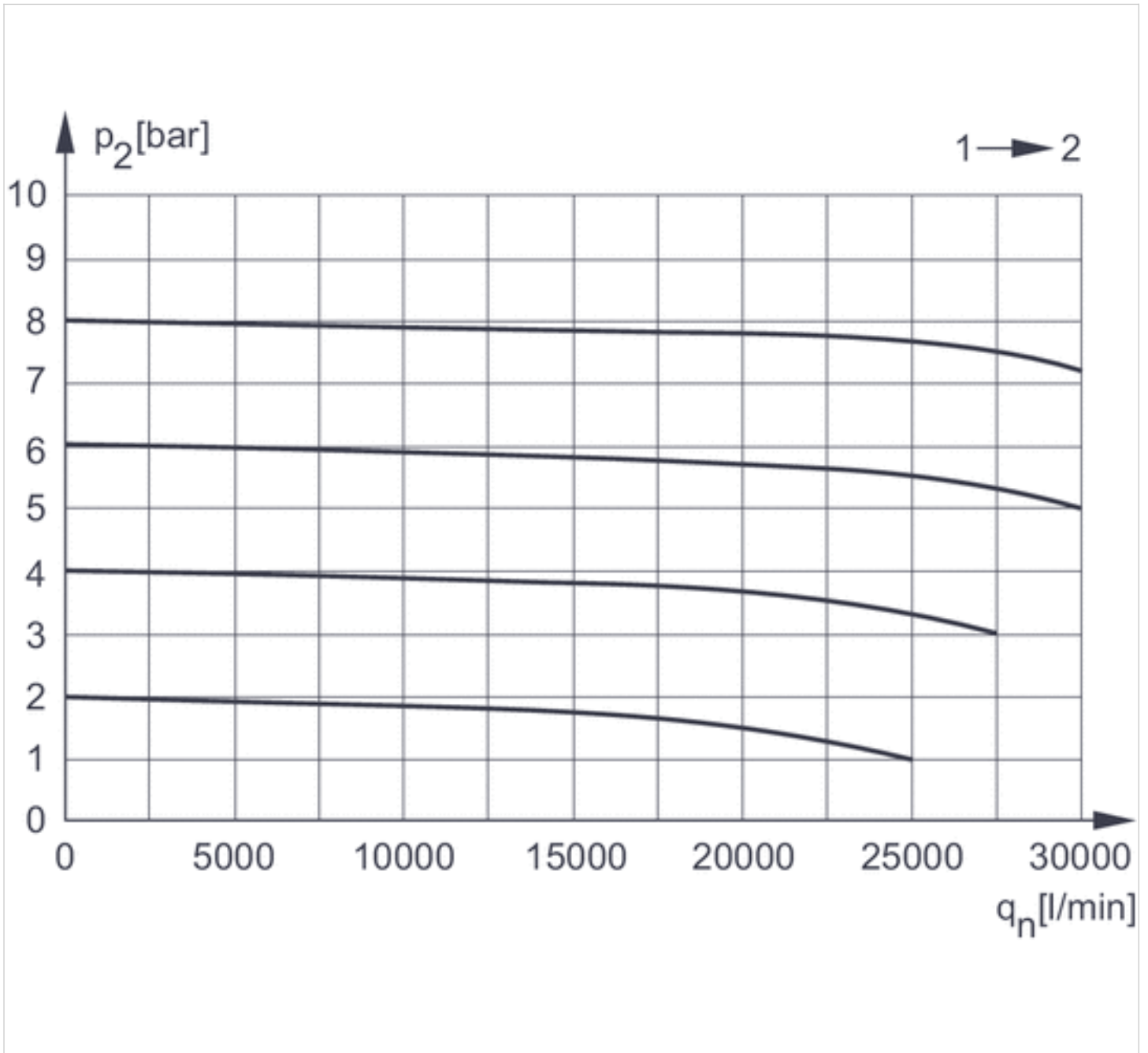
1) Mounting option for padlocks, max. shackle Ø 8

Dimensions in mm

A2	A3	B	C	D	E1	M
G 3/4	G 3/4	85	103	109	36	58
G 1	G 3/4	85	103	109	36	58

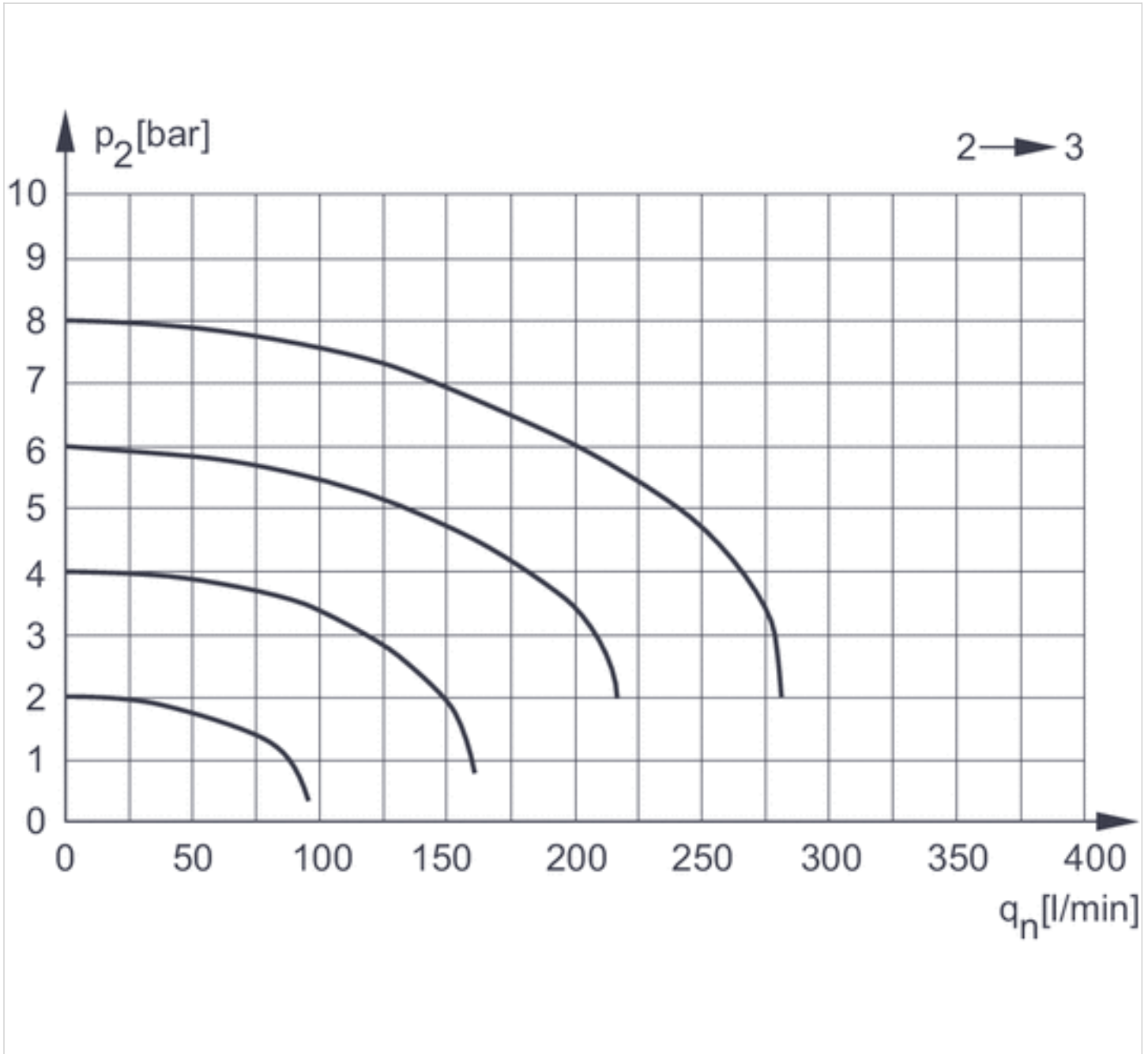
Diagrams

Flow rate characteristic



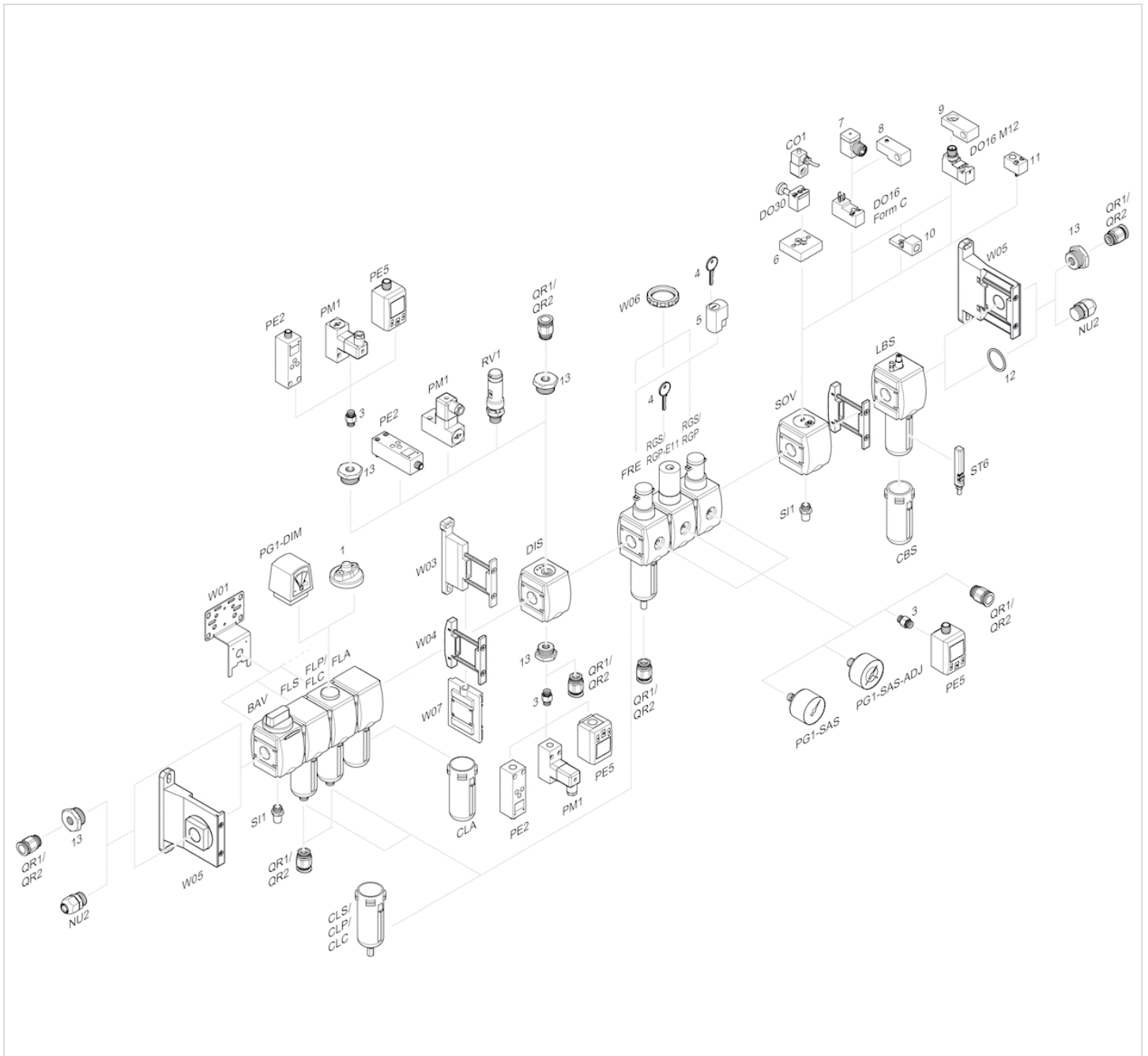
p_2 = secondary pressure
 q_n = nominal flow

Rear exhaust



p2 = secondary pressure
qn = nominal flow

Accessories overview



- 1 = contamination display
- 3 = Double nipple
- 4 = Key for E11 locking
- 5 = mortise lock
- 6 = Transition plate DO30
- 7 = Adapter, Series CON-VP
- 8 = Mounting aid DO16, form C
- 9 = Mounting aid DO16, M12
- 10 = Adapter for external pilot air
- 11 = Adapter pneumatic operation
- 12 = Sealing ring
- 13 = Reducing nipple

Efficient pneumatic solutions, our program: cylinders and drives, valves and valve systems, air supply management



Visit us: [Emerson.com/Aventics](https://www.emerson.com/Aventics)

Your local contact: [Emerson.com/contactus](https://www.emerson.com/contactus)



[Emerson.com](https://www.emerson.com)



[Facebook.com/EmersonAutomationSolutions](https://www.facebook.com/EmersonAutomationSolutions)



[LinkedIn.com/company/Emerson-Automation-Solutions](https://www.linkedin.com/company/Emerson-Automation-Solutions)



[Twitter.com/EMR_Automation](https://twitter.com/EMR_Automation)

An example configuration is depicted on the title page. The delivered product may thus vary from that in the illustration. Subject to change. This Document, as well as the data, specifications and other information set forth in it, are the exclusive property of AVENTICS GmbH. It may not be reproduced or given to third parties without its consent. Only use the AVENTICS products shown in industrial applications. Read the product documentation completely and carefully before using the product. Observe the applicable regulations and laws of the respective country. When integrating the product into applications, note the system manufacturer's specifications for safe use of the product. The data specified only serve to describe the product. No statements concerning a certain condition or suitability for a certain application can be derived from our information. The information given does not release the user from the obligation of own judgement and verification. It must be remembered that the products are subject to a natural process of wear and aging.

The Emerson logo is a trademark and service mark of Emerson Electric Co. Brand logotype are registered trademarks of one of the Emerson family of companies. All other marks are the property of their respective owners. © 2020 Emerson Electric Co. All rights reserved.
2020-12



CONSIDER IT SOLVED™