





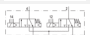



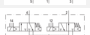



2x3/2-directional valve, Series LS04-AF

- Qn = 175-310 l/min
- Pipe connection
- Compressed air connection output : Ø 4, Ø 6
- Electrical connection : Plug, M8, 3-pin
- Manual override : without detent
- Pilot : internal



Version	Spool valve, positive overlapping
Activation	Electrically
Pilot	internal
Sealing principle	Soft sealing
Working pressure min./max.	3 ... 7 bar
Ambient temperature min./max.	-10 ... 50 °C
Medium temperature min./max.	-10 ... 50 °C
Medium	Compressed air
Max. particle size	5 µm
Oil content of compressed air	0 ... 5 mg/m ³
Nominal flow Qn	See table below
Connector standard	DIN EN 60947-5-2
Protection class acc. to DIN EN 61140, Electrically	Class III
Protection class, with connection	IP65
Protective circuit	Z-diode
LED status display	Yellow
Duty cycle	100 %
Typ. switch-on time	12 ms
Typ. switch-off time	15 ms
Generic emission standard in accordance with	EN 61000-6-4:2002
Generic immunity standard in accordance with	IEC 61000-6-2:2005
mounting screws	M3
Mounting screw tightening torque	0,5 Nm
Weight	0,064 kg

Technical data

Part No.			MO	Compressed air connection	
				Input	
R422103573		NO/NO		Ø 4	
R422103574		NO/NO		Ø 6	
R422103581		NC/NC		Ø 4	
R422103582		NC/NC		Ø 6	
R422103589		NC/NO		Ø 4	
R422103590		NC/NO		Ø 6	

Part No.	Compressed air connection	Compressed air connection	Operational voltage
	Output	Exhaust	DC
R422103573	Ø 4	Ø 4	24 V
R422103574	Ø 6	Ø 6	24 V
R422103581	Ø 4	Ø 4	24 V
R422103582	Ø 6	Ø 6	24 V
R422103589	Ø 4	Ø 4	24 V
R422103590	Ø 6	Ø 6	24 V

Part No.	Voltage tolerance	Power consumption	Flow conductance	Flow conductance
	DC	DC	b	C-value
R422103573	-10% / +10%	1,3 W	0,4	0,8 l/(s*bar)
R422103574	-10% / +10%	1,3 W	0,25	1,2 l/(s*bar)
R422103581	-10% / +10%	1,3 W	0,4	0,8 l/(s*bar)
R422103582	-10% / +10%	1,3 W	0,3	1,5 l/(s*bar)
R422103589	-10% / +10%	1,3 W	0,4	0,8 l/(s*bar)
R422103590	-10% / +10%	1,3 W	0,25	1,2 l/(s*bar)

Part No.	Nominal flow Qn
R422103573	175 l/min
R422103574	250 l/min
R422103581	180 l/min
R422103582	310 l/min
R422103589	175 l/min
R422103590	250 l/min

Nominal flow Qn at 6 bar and $\Delta p = 1$ bar, MO = Manual override

Technical information

The min. control pressure must be adhered to, since otherwise faulty switching and valve failure may result!

The pressure dew point must be at least 15 °C under ambient and medium temperature and may not exceed 3 °C .

The oil content of compressed air must remain constant during the life cycle.

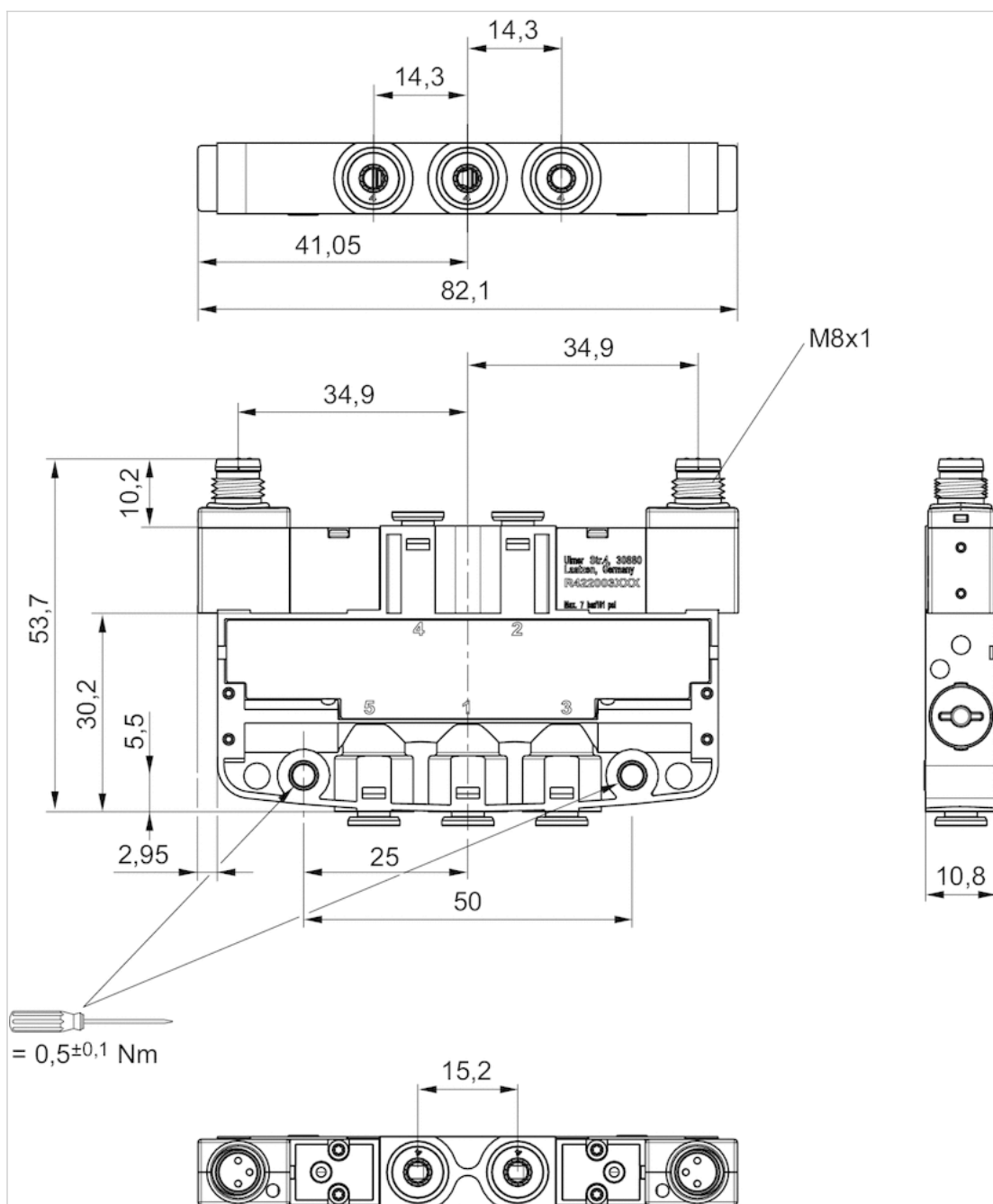
Use only the approved oils from AVENTICS. Further information can be found in the "Technical information" document (available in the MediaCentre).

Technical information

Material	
Housing	Polyoxymethylene
Seals	Acrylonitrile butadiene rubber, Hydrogenated nitrile butadiene rubber, Polyurethane

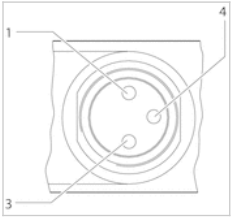
Dimensions

Dimensions



Pin assignments

PIN assignment for valve plug connectors



1) Pin not assigned 3) 0 V 4) 24 V Note: Bi-polar protective circuit to prevent overvoltage


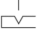










2x3/2-directional valve, Series LS04-AF

- Qn = 175-310 l/min
- Pipe connection
- Compressed air connection output : Ø 4, Ø 6
- Electrical connection : Plug, M8, 3-pin
- Manual override : with detent
- Pilot : internal



Version	Spool valve, positive overlapping
Activation	Electrically
Pilot	internal
Sealing principle	Soft sealing
Working pressure min./max.	3 ... 7 bar
Ambient temperature min./max.	-10 ... 50 °C
Medium temperature min./max.	-10 ... 50 °C
Medium	Compressed air
Max. particle size	5 µm
Oil content of compressed air	0 ... 5 mg/m ³
Nominal flow Qn	See table below
Connector standard	DIN EN 60947-5-2
Protection class acc. to DIN EN 61140, Electrically	Class III
Protection class, with connection	IP65
Protective circuit	Z-diode
LED status display	Yellow
Duty cycle	100 %
Typ. switch-on time	12 ms
Typ. switch-off time	15 ms
Generic emission standard in accordance with	EN 61000-6-4:2002
Generic immunity standard in accordance with	IEC 61000-6-2:2005
mounting screws	M3
Mounting screw tightening torque	0,5 Nm
Weight	0,064 kg

Technical data

Part No.			MO	Compressed air connection	
				Input	
R422103577		NO/NO			Ø 4
R422103578		NO/NO			Ø 6
R422103585		NC/NC			Ø 4
R422103586		NC/NC			Ø 6
R422103593		NC/NO			Ø 4
R422103594		NC/NO			Ø 6

Part No.	Compressed air connection		Compressed air connection		Operational voltage	
	Output		Exhaust		DC	
R422103577	Ø 4		Ø 4		24 V	
R422103578	Ø 6		Ø 6		24 V	
R422103585	Ø 4		Ø 4		24 V	
R422103586	Ø 6		Ø 6		24 V	
R422103593	Ø 4		Ø 4		24 V	
R422103594	Ø 6		Ø 6		24 V	

Part No.	Voltage tolerance		Power consumption		Flow conductance	
	DC		DC		b	C-value
R422103577	-10% / +10%		1,3 W		0,4	0,8 l/(s*bar)
R422103578	-10% / +10%		1,3 W		0,25	1,2 l/(s*bar)
R422103585	-10% / +10%		1,3 W		0,4	0,8 l/(s*bar)
R422103586	-10% / +10%		1,3 W		0,3	1,5 l/(s*bar)
R422103593	-10% / +10%		1,3 W		0,4	0,8 l/(s*bar)
R422103594	-10% / +10%		1,3 W		0,25	1,2 l/(s*bar)

Part No.	Nominal flow Qn
R422103577	175 l/min
R422103578	250 l/min
R422103585	180 l/min
R422103586	310 l/min
R422103593	175 l/min
R422103594	250 l/min

Nominal flow Qn at 6 bar and $\Delta p = 1$ bar, MO = Manual override

Technical information

The min. control pressure must be adhered to, since otherwise faulty switching and valve failure may result!

The pressure dew point must be at least 15 °C under ambient and medium temperature and may not exceed 3 °C .

The oil content of compressed air must remain constant during the life cycle.

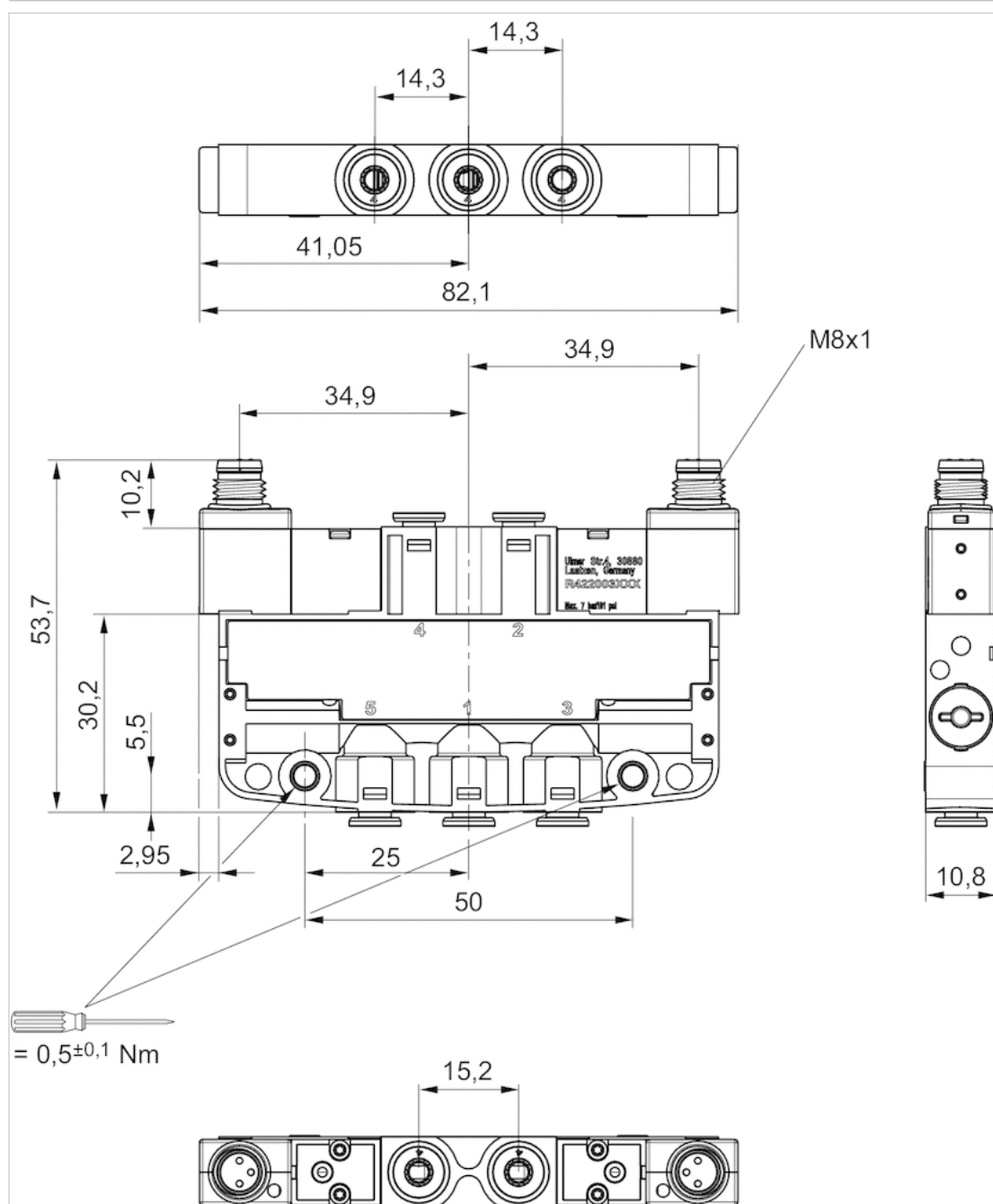
Use only the approved oils from AVENTICS. Further information can be found in the "Technical information" document (available in the MediaCentre).

Technical information

Material	
Housing	Polyoxymethylene
Seals	Acrylonitrile butadiene rubber, Hydrogenated nitrile butadiene rubber, Polyurethane

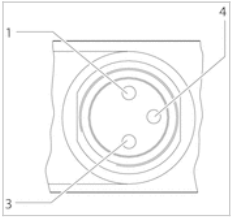
Dimensions

Dimensions



Pin assignments

PIN assignment for valve plug connectors



1) Pin not assigned 3) 0 V 4) 24 V Note: Bi-polar protective circuit to prevent overvoltage









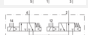



2x3/2-directional valve, Series LS04-AF

- Qn = 175-310 l/min
- Pipe connection
- Compressed air connection output : Ø 4, Ø 6
- Electrical connection : 2, Plug, Industrial plug connector, 2-pin
- Manual override : without detent
- Pilot : internal



Version	Spool valve, positive overlapping
Activation	Electrically
Pilot	internal
Sealing principle	Soft sealing
Working pressure min./max.	3 ... 7 bar
Ambient temperature min./max.	-10 ... 50 °C
Medium temperature min./max.	-10 ... 50 °C
Medium	Compressed air
Max. particle size	5 µm
Oil content of compressed air	0 ... 5 mg/m ³
Nominal flow Qn	See table below
Protection class acc. to DIN EN 61140, Electrically	Class III
Protection class, with connection	IP50
Protective circuit	Z-diode
LED status display	Yellow
Duty cycle	100 %
Typ. switch-on time	12 ms
Typ. switch-off time	15 ms
Generic emission standard in accordance with	EN 61000-6-4:2002
Generic immunity standard in accordance with	IEC 61000-6-2:2005
mounting screws	M3
Mounting screw tightening torque	0,5 Nm
Weight	0,064 kg

Technical data

Part No.			MO	Compressed air connection	
				Input	
R422103571		NO/NO		Ø 4	
R422103572		NO/NO		Ø 6	
R422103579		NC/NC		Ø 4	
R422103580		NC/NC		Ø 6	
R422103587		NC/NO		Ø 4	
R422103588		NC/NO		Ø 6	

Part No.	Compressed air connection	Compressed air connection	Operational voltage
	Output	Exhaust	DC
R422103571	Ø 4	Ø 4	24 V
R422103572	Ø 6	Ø 6	24 V
R422103579	Ø 4	Ø 4	24 V
R422103580	Ø 6	Ø 6	24 V
R422103587	Ø 4	Ø 4	24 V
R422103588	Ø 6	Ø 6	24 V

Part No.	Voltage tolerance	Power consumption	Flow conductance	Flow conductance
	DC	DC	b	C-value
R422103571	-10% / +10%	1,3 W	0,4	0,8 l/(s*bar)
R422103572	-10% / +10%	1,3 W	0,25	1,2 l/(s*bar)
R422103579	-10% / +10%	1,3 W	0,4	0,8 l/(s*bar)
R422103580	-10% / +10%	1,3 W	0,3	1,5 l/(s*bar)
R422103587	-10% / +10%	1,3 W	0,4	0,8 l/(s*bar)
R422103588	-10% / +10%	1,3 W	0,25	1,2 l/(s*bar)

Part No.	Nominal flow Qn
R422103571	175 l/min
R422103572	250 l/min
R422103579	180 l/min
R422103580	310 l/min
R422103587	175 l/min
R422103588	250 l/min

Nominal flow Qn at 6 bar and $\Delta p = 1$ bar, MO = Manual override

Technical information

The min. control pressure must be adhered to, since otherwise faulty switching and valve failure may result!

The pressure dew point must be at least 15 °C under ambient and medium temperature and may not exceed 3 °C .

The oil content of compressed air must remain constant during the life cycle.

Use only the approved oils from AVENTICS. Further information can be found in the "Technical information" document (available in the MediaCentre).

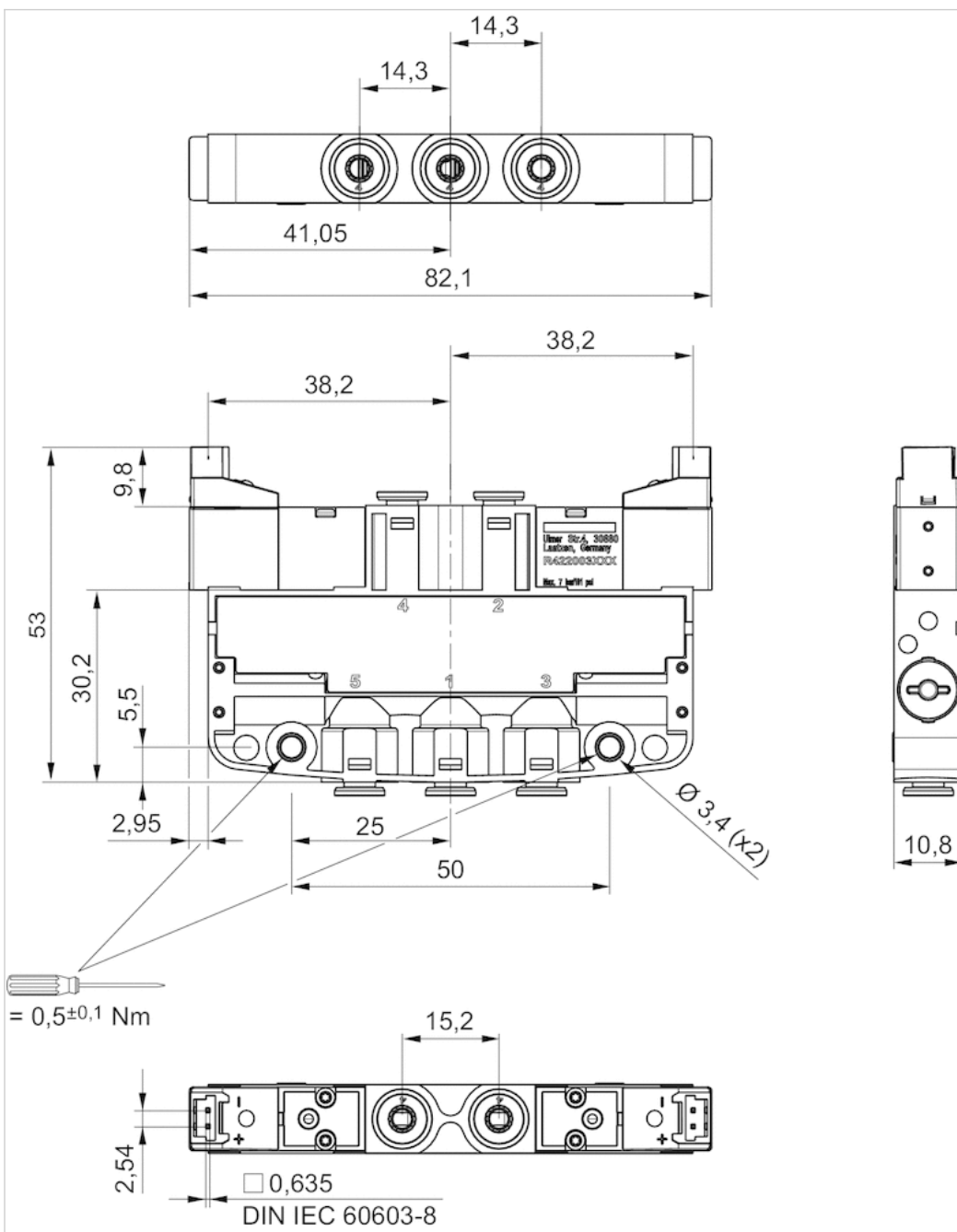
Technical information

Material

Housing	Polyoxymethylene
Seals	Acrylonitrile butadiene rubber, Hydrogenated nitrile butadiene rubber, Polyurethane

Dimensions

Dimensions















2x3/2-directional valve, Series LS04-AF

- Qn = 175-310 l/min
- Pipe connection
- Compressed air connection output : Ø 4, Ø 6
- Electrical connection : 2, Plug, Industrial plug connector, 2-pin
- Manual override : with detent
- Pilot : internal



Version	Spool valve, positive overlapping
Activation	Electrically
Pilot	internal
Sealing principle	Soft sealing
Working pressure min./max.	3 ... 7 bar
Ambient temperature min./max.	-10 ... 50 °C
Medium temperature min./max.	-10 ... 50 °C
Medium	Compressed air
Max. particle size	5 µm
Oil content of compressed air	0 ... 5 mg/m ³
Nominal flow Qn	See table below
Protection class acc. to DIN EN 61140, Electrically	Class III
Protection class, with connection	IP50
Protective circuit	Z-diode
LED status display	Yellow
Duty cycle	100 %
Typ. switch-on time	12 ms
Typ. switch-off time	15 ms
Generic emission standard in accordance with	EN 61000-6-4:2002
Generic immunity standard in accordance with	IEC 61000-6-2:2005
mounting screws	M3
Mounting screw tightening torque	0,5 Nm
Weight	0,064 kg

Technical data

Part No.			MO	Compressed air connection	
				Input	
R422103575		NO/NO			Ø 4
R422103576		NO/NO			Ø 6
R422103583		NC/NC			Ø 4
R422103584		NC/NC			Ø 6
R422103591		NC/NO			Ø 4
R422103592		NC/NO			Ø 6

Part No.	Compressed air connection		Compressed air connection		Operational voltage
	Output		Exhaust		DC
R422103575	Ø 4		Ø 4		24 V
R422103576	Ø 6		Ø 6		24 V
R422103583	Ø 4		Ø 4		24 V
R422103584	Ø 6		Ø 6		24 V
R422103591	Ø 4		Ø 4		24 V
R422103592	Ø 6		Ø 6		24 V

Part No.	Voltage tolerance	Power consumption	Flow conductance	Flow conductance
	DC	DC	b	C-value
R422103575	-10% / +10%	1,3 W	0,4	0,8 l/(s*bar)
R422103576	-10% / +10%	1,3 W	0,25	1,2 l/(s*bar)
R422103583	-10% / +10%	1,3 W	0,4	0,8 l/(s*bar)
R422103584	-10% / +10%	1,3 W	0,3	1,5 l/(s*bar)
R422103591	-10% / +10%	1,3 W	0,4	0,8 l/(s*bar)
R422103592	-10% / +10%	1,3 W	0,25	1,2 l/(s*bar)

Part No.	Nominal flow Qn
R422103575	175 l/min
R422103576	250 l/min
R422103583	180 l/min
R422103584	310 l/min
R422103591	175 l/min
R422103592	250 l/min

Nominal flow Qn at 6 bar and $\Delta p = 1$ bar, MO = Manual override

Technical information

The min. control pressure must be adhered to, since otherwise faulty switching and valve failure may result!

The pressure dew point must be at least 15 °C under ambient and medium temperature and may not exceed 3 °C .

The oil content of compressed air must remain constant during the life cycle.

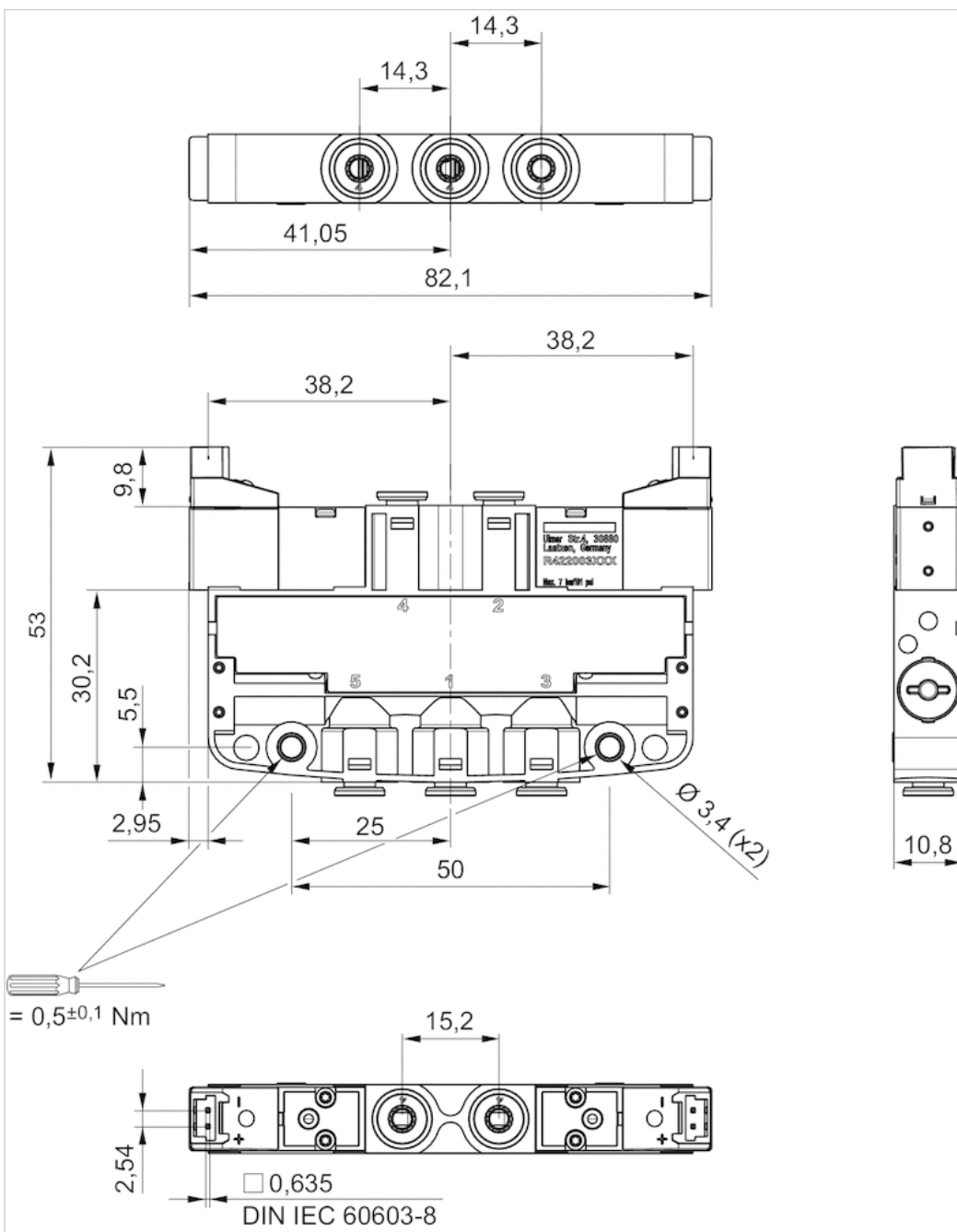
Use only the approved oils from AVENTICS. Further information can be found in the "Technical information" document (available in the MediaCentre).

Technical information

Material	
Housing	Polyoxymethylene
Seals	Acrylonitrile butadiene rubber, Hydrogenated nitrile butadiene rubber, Polyurethane

Dimensions

Dimensions



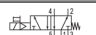
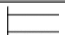
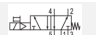
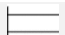
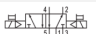

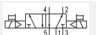

5/2-directional valve, Series LS04-AF

- Qn = 180-310 l/min
- Pipe connection
- Compressed air connection output : Ø 4, Ø 6
- Electrical connection : Plug, M8, 3-pin
- Manual override : without detent
- single solenoid, Double solenoid
- With spring return
- Pilot : internal



Version	Spool valve, positive overlapping
Activation	Electrically
Pilot	internal
Sealing principle	Soft sealing
Working pressure min./max.	See table below
Ambient temperature min./max.	-10 ... 50 °C
Medium temperature min./max.	-10 ... 50 °C
Medium	Compressed air
Max. particle size	5 µm
Oil content of compressed air	0 ... 5 mg/m ³
Nominal flow Qn	See table below
Connector standard	DIN EN 60947-5-2
Protection class acc. to DIN EN 61140,Electrically	Class III
Protection class,with connection	IP65
Protective circuit	Z-diode
LED status display	Yellow
Duty cycle	100 %
Generic emission standard in accordance with	EN 61000-6-4:2002
Generic immunity standard in accordance with	IEC 61000-6-2:2005
mounting screws	M3
Mounting screw tightening torque	0,5 Nm
Weight	See table below
Comment	The delivered product may vary from that in the illustration.

Technical data

Part No.		MO	Compressed air connection	
			Input	Output
R422103561			Ø 4	Ø 4
R422103562			Ø 6	Ø 6
R422103569			Ø 4	Ø 4
R422103570			Ø 6	Ø 6

Part No.	Compressed air connection		Operational voltage	Voltage tolerance
	Exhaust		DC	DC
R422103561	Ø 4		24 V	-10% / +10%
R422103562	Ø 6		24 V	-10% / +10%
R422103569	Ø 4		24 V	-10% / +10%
R422103570	Ø 6		24 V	-10% / +10%

Part No.	Power consumption	Flow conductance	Flow conductance	Nominal flow Qn
	DC	b	C-value	
R422103561	1,3 W	0,3	0,8 l/(s*bar)	180 l/min
R422103562	1,3 W	0,27	1,5 l/(s*bar)	310 l/min
R422103569	1,3 W	0,3	0,8 l/(s*bar)	180 l/min
R422103570	1,3 W	0,27	1,5 l/(s*bar)	310 l/min

Part No.	Working pressure min./max.	Typ. switch-on time	Typ. switch-off time	Weight
R422103561	3 ... 7 bar	10 ms	22 ms	0,053 kg
R422103562	3 ... 7 bar	10 ms	22 ms	0,053 kg
R422103569	2 ... 7 bar	9 ms	9 ms	0,063 kg
R422103570	2 ... 7 bar	9 ms	9 ms	0,063 kg

Nominal flow Qn at 6 bar and $\Delta p = 1$ bar, MO = Manual override

Technical information

The min. control pressure must be adhered to, since otherwise faulty switching and valve failure may result!

The pressure dew point must be at least 15 °C under ambient and medium temperature and may not exceed 3 °C .

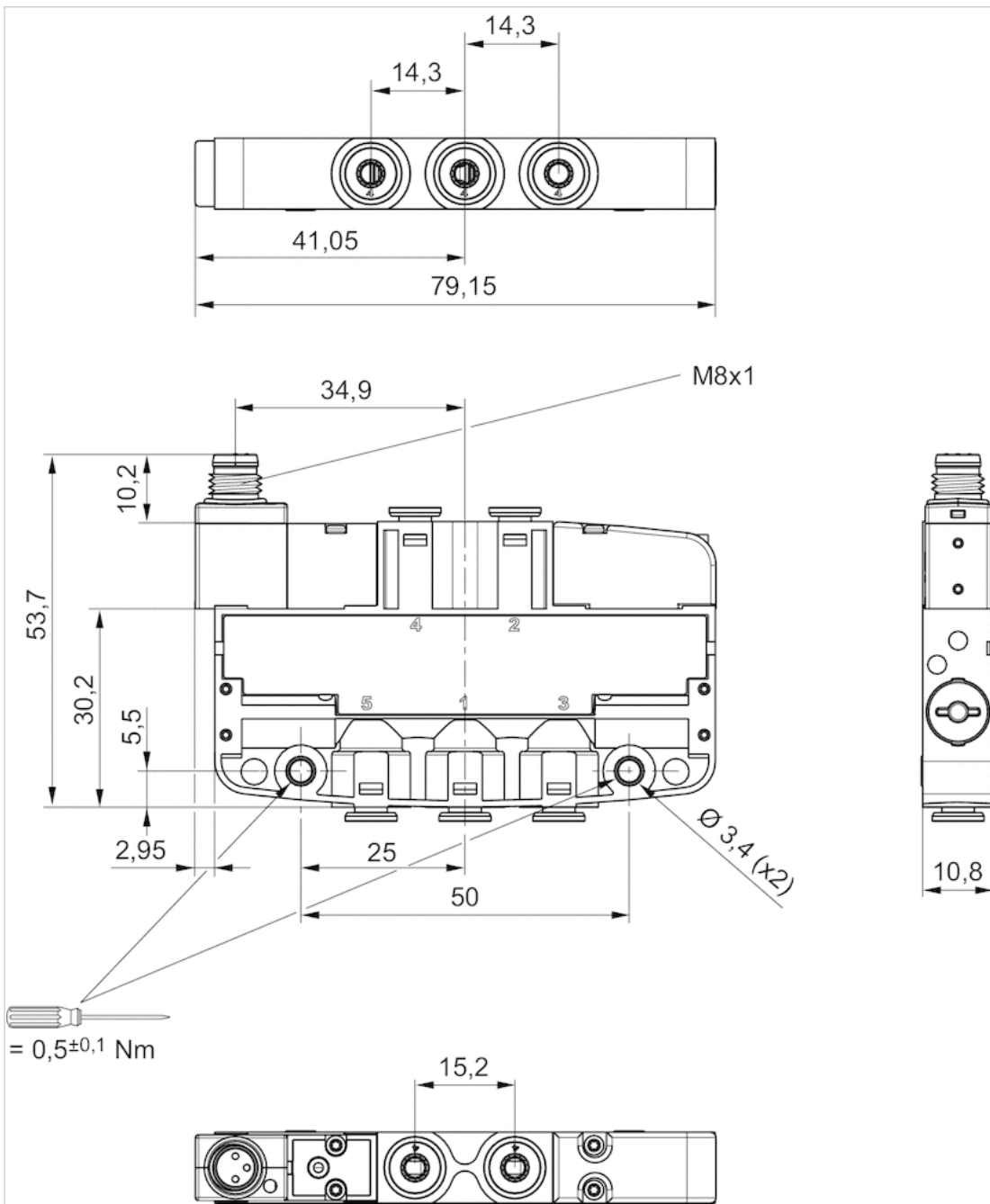
The oil content of compressed air must remain constant during the life cycle.

Use only the approved oils from AVENTICS. Further information can be found in the "Technical information" document (available in the MediaCentre).

Technical information

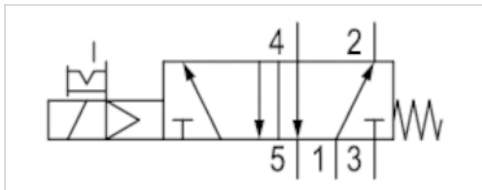
Material	
Housing	Polyoxymethylene
Seals	Acrylonitrile butadiene rubber, Hydrogenated nitrile butadiene rubber, Polyurethane

dimensions single solenoid



5/2-directional valve, Series LS04-AF

- Qn = 180-310 l/min
- Pipe connection
- Compressed air connection output : Ø 4, Ø 6
- Electrical connection : Plug, M8, 3-pin
- Manual override : with detent
- With spring return
- Pilot : internal



Version	Spool valve, positive overlapping
Activation	Electrically
Pilot	internal
Sealing principle	Soft sealing
Working pressure min./max.	3 ... 7 bar
Ambient temperature min./max.	-10 ... 50 °C
Medium temperature min./max.	-10 ... 50 °C
Medium	Compressed air
Max. particle size	5 µm
Oil content of compressed air	0 ... 5 mg/m³
Nominal flow Qn	See table below
Connector standard	DIN EN 60947-5-2
Protection class acc. to DIN EN 61140,Electrically	Class III
Protection class,with connection	IP65
Protective circuit	Z-diode
LED status display	Yellow
Duty cycle	100 %
Typ. switch-on time	10 ms
Typ. switch-off time	22 ms
Generic emission standard in accordance with EN 61000-6-4:2002	
Generic immunity standard in accordance with IEC 61000-6-2:2005	
mounting screws	M3
Mounting screw tightening torque	0,5 Nm
Weight	0,053 kg

Technical data

Part No.	MO	Compressed air connection	
		Input	Output
R422103565		Ø 4	Ø 4
R422103566		Ø 6	Ø 6

Part No.	Compressed air connection		Operationalvoltage	Voltage tolerance
	Exhaust			
R422103565	Ø 4		DC 24 V	-10% / +10%
R422103566	Ø 6		DC 24 V	-10% / +10%

Part No.	Power consumption	Flow conductance	Flow conductance	Nominal flow Qn
	DC	b	C-value	
R422103565	1,3 W	0,3	0,8 l/(s*bar)	180 l/min
R422103566	1,3 W	0,27	1,5 l/(s*bar)	310 l/min

Nominal flow Qn at 6 bar and $\Delta p = 1$ bar, MO = Manual override

Technical information

The min. control pressure must be adhered to, since otherwise faulty switching and valve failure may result!

The pressure dew point must be at least 15 °C under ambient and medium temperature and may not exceed 3 °C .

The oil content of compressed air must remain constant during the life cycle.

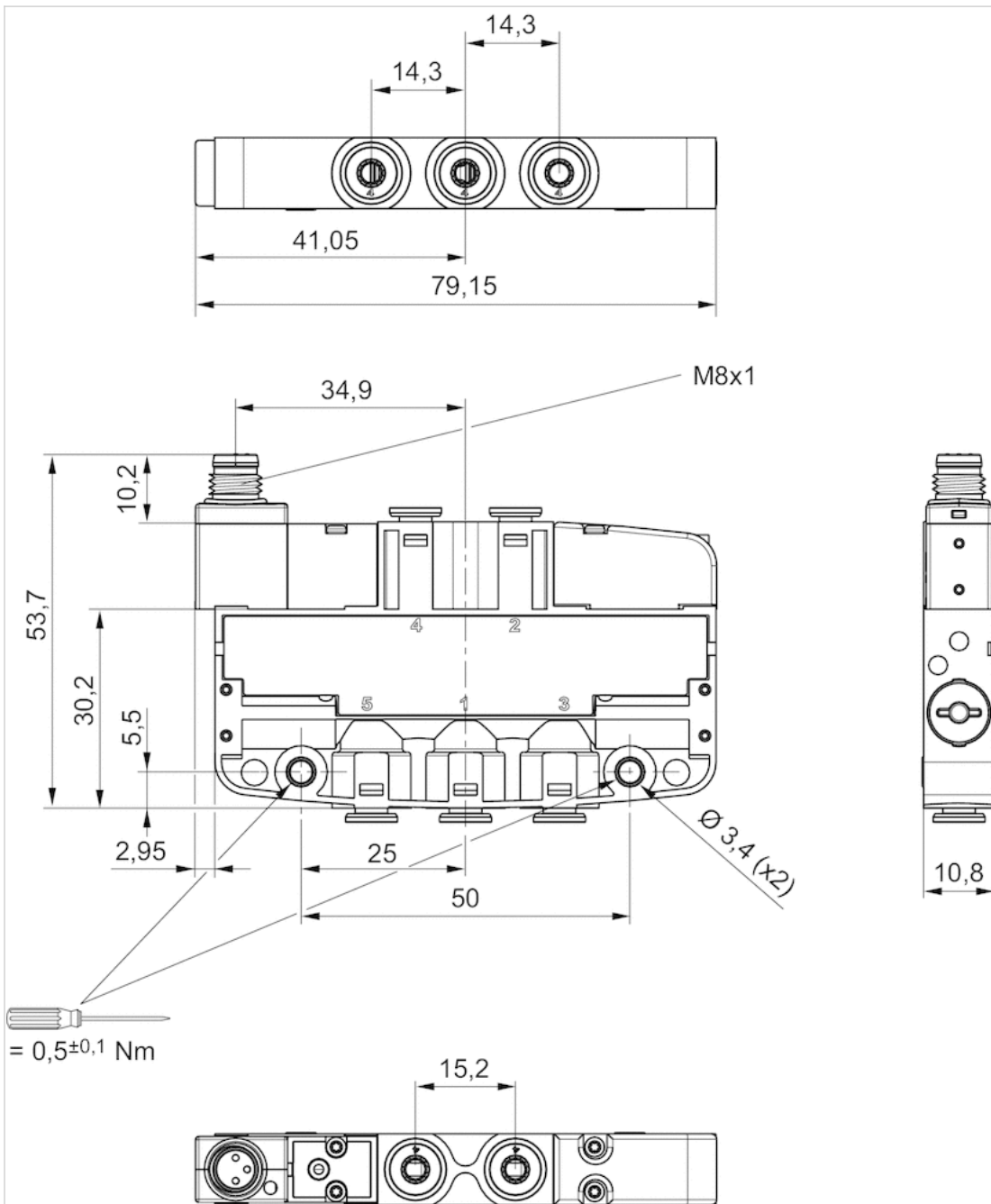
Use only the approved oils from AVENTICS. Further information can be found in the "Technical information" document (available in the MediaCentre).

Technical information

Material	
Housing	Polyoxymethylene
Seals	Acrylonitrile butadiene rubber, Hydrogenated nitrile butadiene rubber, Polyurethane

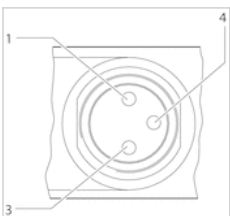
Dimensions

dimensions single solenoid



Pin assignments

PIN assignment for valve plug connectors



1) Pin not assigned 3) 0 V 4) 24 V Note: Bi-polar protective circuit to prevent overvoltage






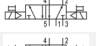

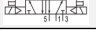
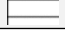
5/2-directional valve, Series LS04-AF

- Qn = 180-310 l/min
- Pipe connection
- Compressed air connection output : Ø 4, Ø 6
- Electrical connection : Plug, Industrial plug connector, 2-pin
- Manual override : without detent
- single solenoid, Double solenoid
- With spring return
- Pilot : internal



Version	Spool valve, positive overlapping
Activation	Electrically
Pilot	internal
Sealing principle	Soft sealing
Working pressure min./max.	See table below
Ambient temperature min./max.	-10 ... 50 °C
Medium temperature min./max.	-10 ... 50 °C
Medium	Compressed air
Max. particle size	5 µm
Oil content of compressed air	0 ... 5 mg/m ³
Nominal flow Qn	See table below
Protection class acc. to DIN EN 61140, Electrically	Class III
Protection class, with connection	IP50
Protective circuit	Z-diode
LED status display	Yellow
Duty cycle	100 %
Generic emission standard in accordance with	EN 61000-6-4:2002
Generic immunity standard in accordance with	IEC 61000-6-2:2005
mounting screws	M3
Mounting screw tightening torque	0,5 Nm
Weight	See table below
Comment	The delivered product may vary from that in the illustration.

Technical data

Part No.		MO	Compressed air connection	
			Input	Output
R422103559			Ø 4	Ø 4
R422103560			Ø 6	Ø 6
R422103567			Ø 4	Ø 4
R422103568			Ø 6	Ø 6

Part No.	Compressed air connection		Operational voltage	Voltage tolerance
	Exhaust		DC	DC
R422103559	Ø 4		24 V	-10% / +10%
R422103560	Ø 6		24 V	-10% / +10%
R422103567	Ø 4		24 V	-10% / +10%
R422103568	Ø 6		24 V	-10% / +10%

Part No.	Power consumption	Flow conductance	Flow conductance	Nominal flow Qn
	DC	b	C-value	
R422103559	1,3 W	0,3	0,8 l/(s*bar)	180 l/min
R422103560	1,3 W	0,27	1,5 l/(s*bar)	310 l/min
R422103567	1,3 W	0,3	0,8 l/(s*bar)	180 l/min
R422103568	1,3 W	0,27	1,5 l/(s*bar)	310 l/min

Part No.	Working pressure min./max.	Typ. switch-on time	Typ. switch-off time	Weight
R422103559	3 ... 7 bar	10 ms	22 ms	0,053 kg
R422103560	3 ... 7 bar	10 ms	22 ms	0,053 kg
R422103567	2 ... 7 bar	9 ms	9 ms	0,063 kg
R422103568	2 ... 7 bar	9 ms	9 ms	0,063 kg

Nominal flow Qn at 6 bar and $\Delta p = 1$ bar, MO = Manual override

Technical information

The min. control pressure must be adhered to, since otherwise faulty switching and valve failure may result!

The pressure dew point must be at least 15 °C under ambient and medium temperature and may not exceed 3 °C .

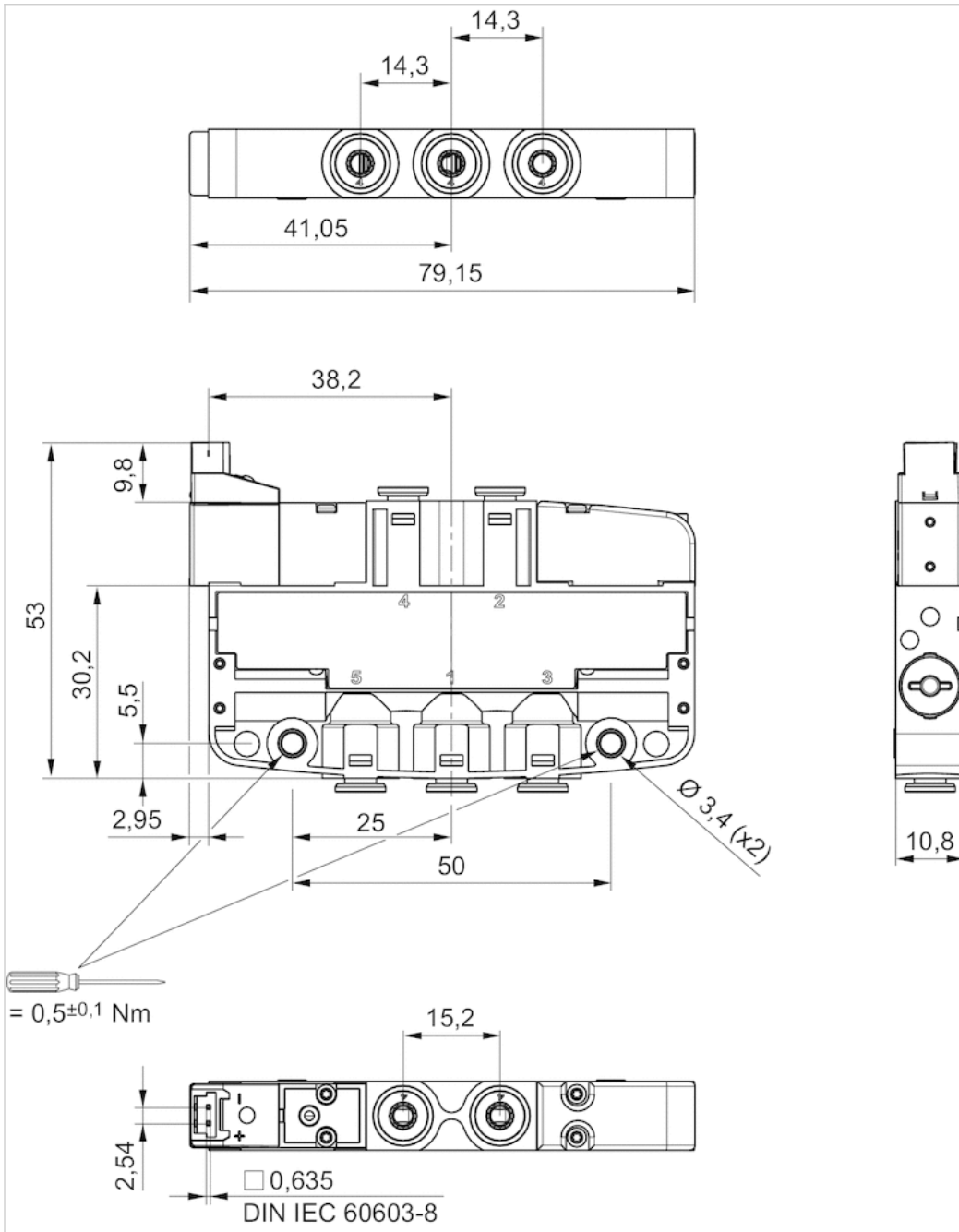
The oil content of compressed air must remain constant during the life cycle.

Use only the approved oils from AVENTICS. Further information can be found in the "Technical information" document (available in the MediaCentre).

Technical information

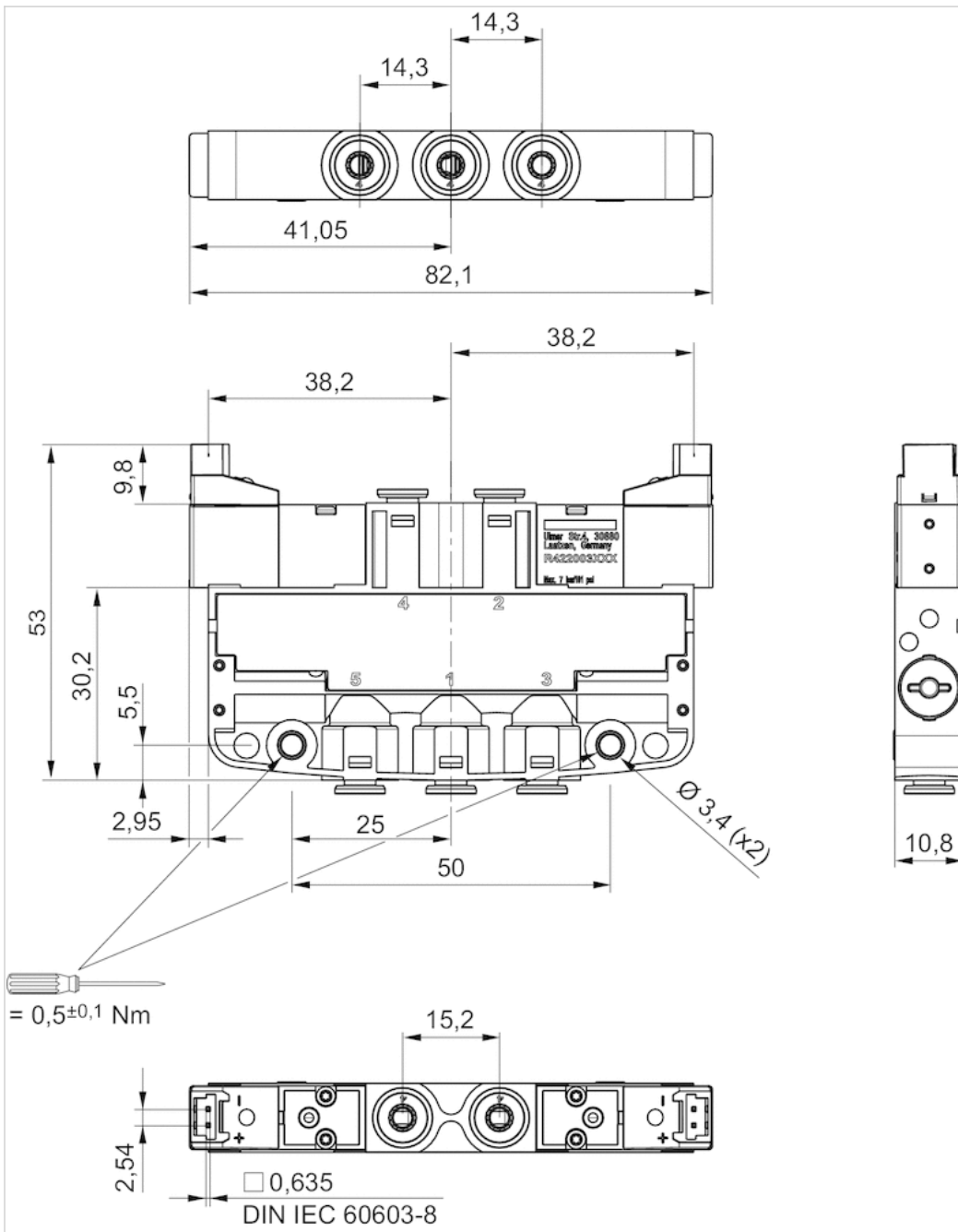
Material	
Housing	Polyoxymethylene
Seals	Acrylonitrile butadiene rubber, Hydrogenated nitrile butadiene rubber, Polyurethane

dimensions single solenoid



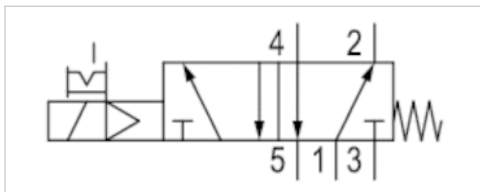
Dimensions

Dimensions





5/2-directional valve, Series LS04-AF

- Qn = 180-310 l/min
- Pipe connection
- Compressed air connection output : Ø 4, Ø 6
- Electrical connection : Plug, Industrial plug connector, 2-pin
- Manual override : with detent
- With spring return
- Pilot : internal



Version	Spool valve, positive overlapping
Activation	Electrically
Pilot	internal
Sealing principle	Soft sealing
Working pressure min./max.	3 ... 7 bar
Ambient temperature min./max.	-10 ... 50 °C
Medium temperature min./max.	-10 ... 50 °C
Medium	Compressed air
Max. particle size	5 µm
Oil content of compressed air	0 ... 5 mg/m ³
Nominal flow Qn	See table below
Protection class acc. to DIN EN 61140, Electrically	Class III
Protection class, with connection	IP50
Protective circuit	Z-diode
LED status display	Yellow
Duty cycle	100 %
Typ. switch-on time	10 ms
Typ. switch-off time	22 ms
Generic emission standard in accordance with	EN 61000-6-4:2002
Generic immunity standard in accordance with	IEC 61000-6-2:2005
mounting screws	M3
Mounting screw tightening torque	0,5 Nm
Weight	0,053 kg

Technical data

Part No.	MO	Compressed air connection	
		Input	Output
R422103563		Ø 4	Ø 4
R422103564		Ø 6	Ø 6

Part No.	Compressed air connection		Operational voltage	Voltage tolerance
	Exhaust		DC	DC
R422103563	Ø 4		24 V	-10% / +10%
R422103564	Ø 6		24 V	-10% / +10%

Part No.	Power consumption	Flow conductance	Flow conductance	Nominal flow Qn
	DC	b	C-value	
R422103563	1,3 W	0,3	0,8 l/(s*bar)	180 l/min

Part No.	Power consumption	Flow conductance	Flow conductance	Nominal flow Qn
	DC	b	C-value	
R422103564	1,3 W	0,27	1,5 l/(s*bar)	310 l/min

Nominal flow Qn at 6 bar and $\Delta p = 1$ bar, MO = Manual override

Technical information

The min. control pressure must be adhered to, since otherwise faulty switching and valve failure may result!

The pressure dew point must be at least 15 °C under ambient and medium temperature and may not exceed 3 °C .

The oil content of compressed air must remain constant during the life cycle.

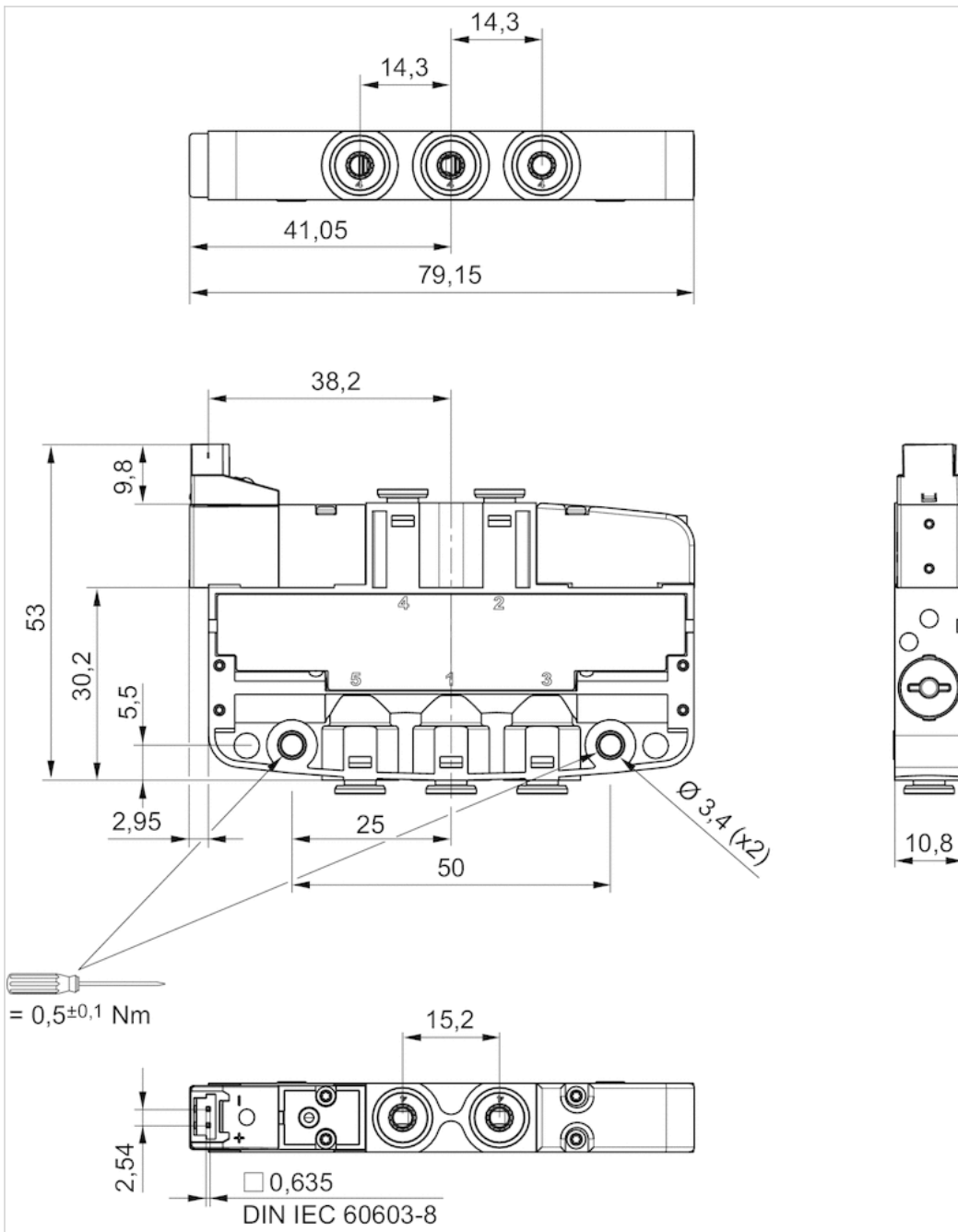
Use only the approved oils from AVENTICS. Further information can be found in the "Technical information" document (available in the MediaCentre).

Technical information

Material	
Housing	Polyoxymethylene
Seals	Acrylonitrile butadiene rubber, Hydrogenated nitrile butadiene rubber, Polyurethane

Dimensions

dimensions single solenoid




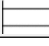
5/2-directional valve, Series LS04-XS

- Qn = 200 l/min
- Pipe connection
- Compressed air connection output : Ø 4
- Electrical connection : Plug, Industrial plug connector, 2-pin
- Manual override : with detent, without detent
- With spring return
- Pilot : internal



Version	Spool valve, positive overlapping
Activation	Electrically
Pilot	internal
Sealing principle	Soft sealing
Working pressure min./max.	3 ... 7 bar
Ambient temperature min./max.	-10 ... 50 °C
Medium temperature min./max.	-10 ... 50 °C
Medium	Compressed air
Max. particle size	5 µm
Oil content of compressed air	0 ... 5 mg/m ³
Nominal flow Qn	200 l/min
Protection class acc. to DIN EN 61140, Electrically	Class III
Protection class, with connection	IP50
Protective circuit	Z-diode
LED status display	Yellow
Duty cycle	100 %
Typ. switch-on time	9 ms
Typ. switch-off time	18 ms
Generic emission standard in accordance with	EN 61000-6-4:2002
Generic immunity standard in accordance with	IEC 61000-6-2:2005
mounting screws	M3
Mounting screw tightening torque	0,5 Nm
Weight	0,04 kg

Technical data

Part No.	MO	Compressed air connection	
		Input	Output
R422103557		Ø 4	Ø 4
R422103555		Ø 4	Ø 4

Part No.	Compressed air connection		Operational voltage	Voltage tolerance
	Exhaust		DC	DC
R422103557	Ø 4		24 V	-10% / +10%
R422103555	Ø 4		24 V	-10% / +10%

Part No.	Power consumption	Flow conductance	Flow conductance
	DC	b	C-value
R422103557	1,3 W	0,4	0,8 l/(s*bar)

Part No.	Power consumption	Flow conductance	Flow conductance
	DC	b	C-value
R422103555	1,3 W	0,4	0,8 l/(s*bar)

Nominal flow Qn at 6 bar and $\Delta p = 1$ bar, MO = Manual override

Technical information

The min. control pressure must be adhered to, since otherwise faulty switching and valve failure may result!

The pressure dew point must be at least 15 °C under ambient and medium temperature and may not exceed 3 °C .

The oil content of compressed air must remain constant during the life cycle.

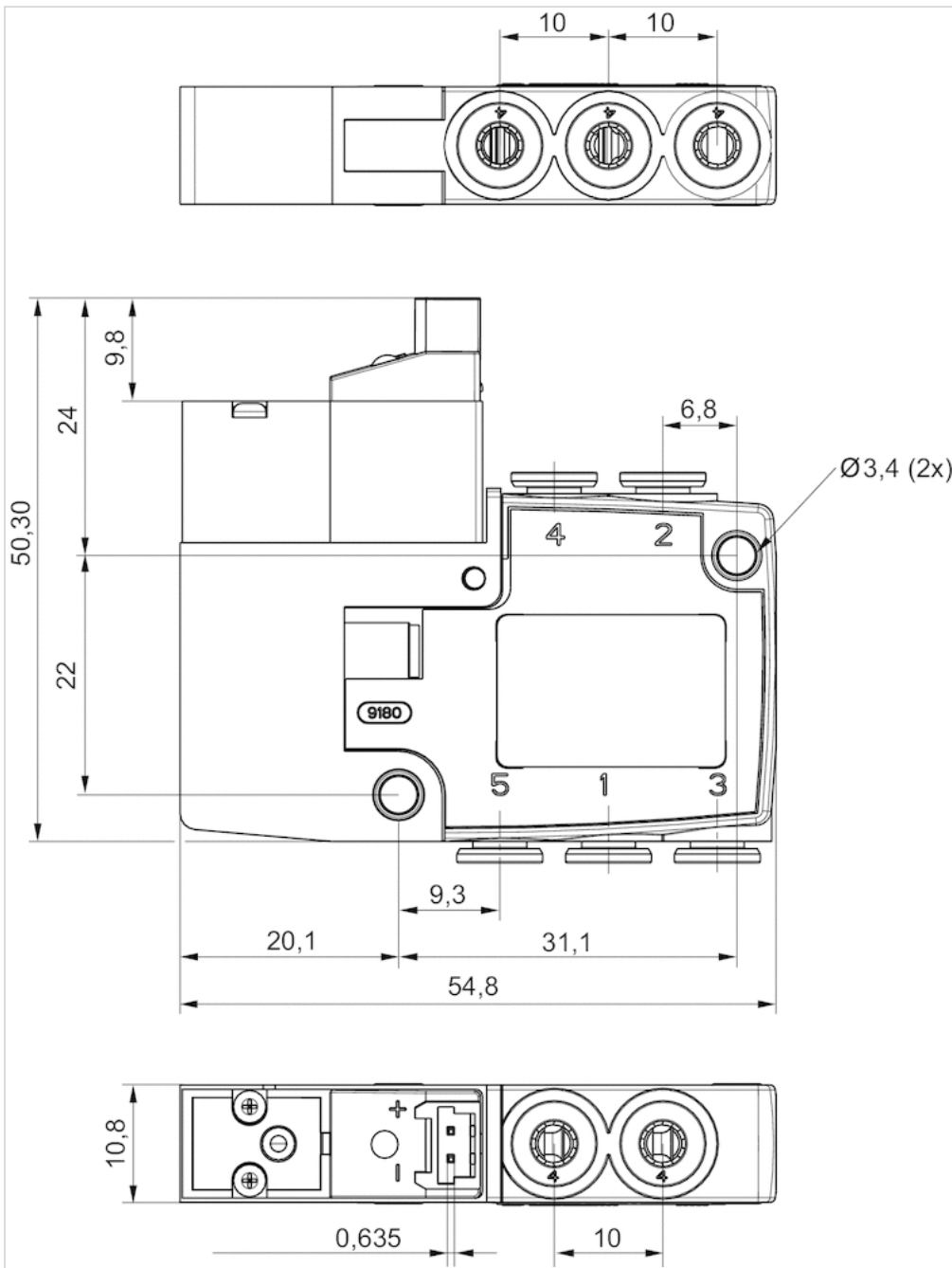
Use only the approved oils from AVENTICS. Further information can be found in the "Technical information" document (available in the MediaCentre).

Technical information

Material	
Housing	Aluminum, Polyoxymethylene
Seals	Acrylonitrile butadiene rubber, Hydrogenated nitrile butadiene rubber, Polyurethane

Dimensions

Dimensions



5/2-directional valve, Series LS04-XS

- Qn = 200 l/min
- Pipe connection
- Compressed air connection output : Ø 4
- Electrical connection : Plug, M8, 3-pin
- Manual override : with detent, without detent
- With spring return
- Pilot : internal



Version	Spool valve, positive overlapping
Activation	Electrically
Pilot	internal
Sealing principle	Soft sealing
Working pressure min./max.	3 ... 7 bar
Ambient temperature min./max.	-10 ... 50 °C
Medium temperature min./max.	-10 ... 50 °C
Medium	Compressed air
Max. particle size	5 µm
Oil content of compressed air	0 ... 5 mg/m ³
Nominal flow Qn	200 l/min
Connector standard	DIN EN 60947-5-2
Protection class acc. to DIN EN 61140, Electrically	Class III
Protection class, with connection	IP65
Protective circuit	Z-diode
LED status display	Yellow
Duty cycle	100 %
Typ. switch-on time	9 ms
Typ. switch-off time	18 ms
Generic emission standard in accordance with	EN 61000-6-4:2002
Generic immunity standard in accordance with	IEC 61000-6-2:2005
mounting screws	M3
Mounting screw tightening torque	0,5 Nm
Weight	0,04 kg

Technical data

Part No.	MO	Compressed air connection	
		Input	Output
R422103556		Ø 4	Ø 4
R422103558		Ø 4	Ø 4

Part No.	Compressed air connection		Operational voltage	
	Exhaust		DC	DC
R422103556	Ø 4		24 V	-10% / +10%
R422103558	Ø 4		24 V	-10% / +10%

Part No.	Power consumption	Flow conductance	Flow conductance
	DC	b	C-value
R422103556	1,3 W	0,4	0,8 l/(s*bar)
R422103558	1,3 W	0,4	0,8 l/(s*bar)

Nominal flow Qn at 6 bar and $\Delta p = 1$ bar, MO = Manual override

Technical information

The min. control pressure must be adhered to, since otherwise faulty switching and valve failure may result!

The pressure dew point must be at least 15 °C under ambient and medium temperature and may not exceed 3 °C .

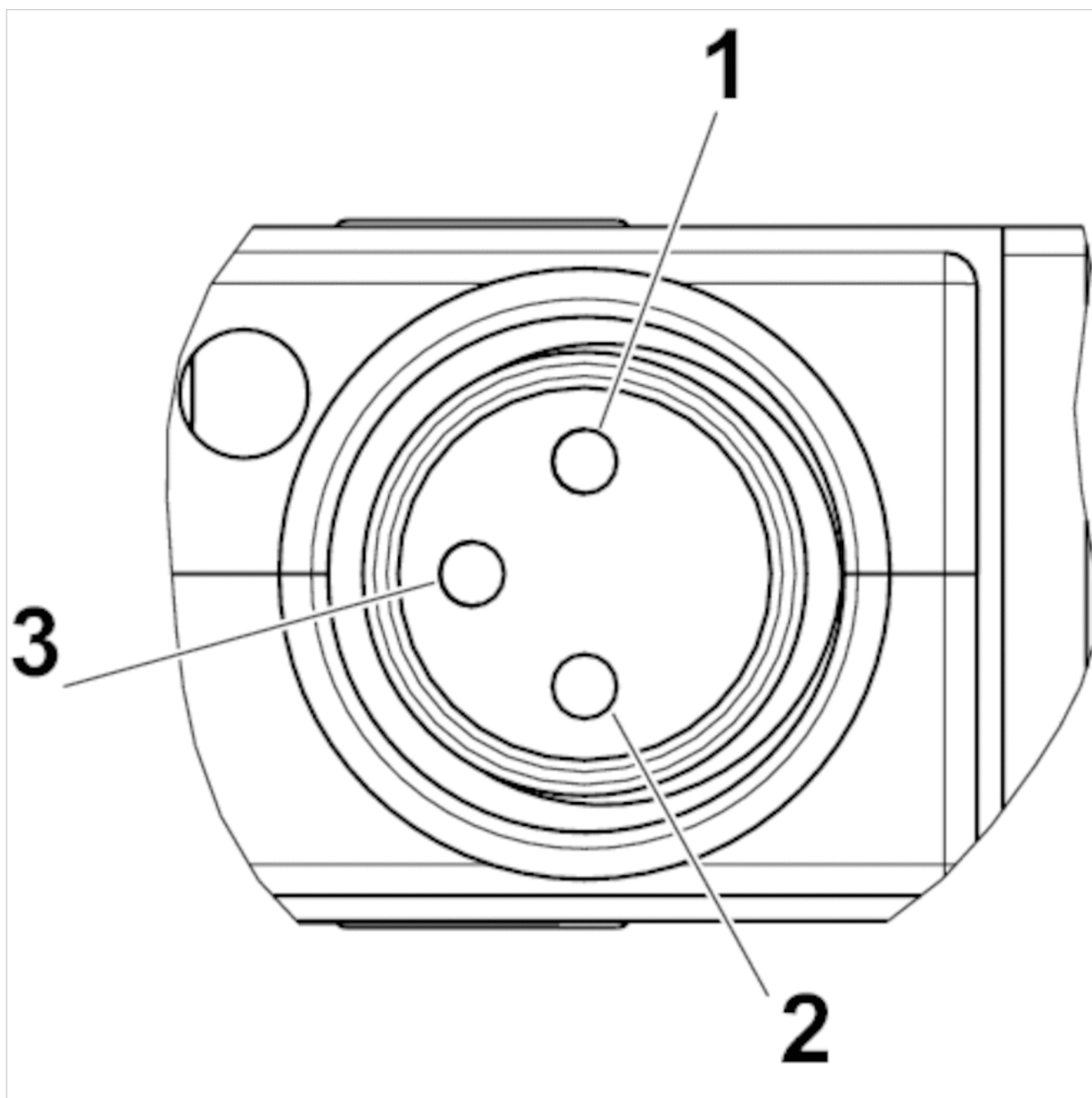
The oil content of compressed air must remain constant during the life cycle.

Use only the approved oils from AVENTICS. Further information can be found in the "Technical information" document (available in the MediaCentre).

Technical information

Material	
Housing	Aluminum, Polyoxymethylene
Seals	Acrylonitrile butadiene rubber, Hydrogenated nitrile butadiene rubber, Polyurethane

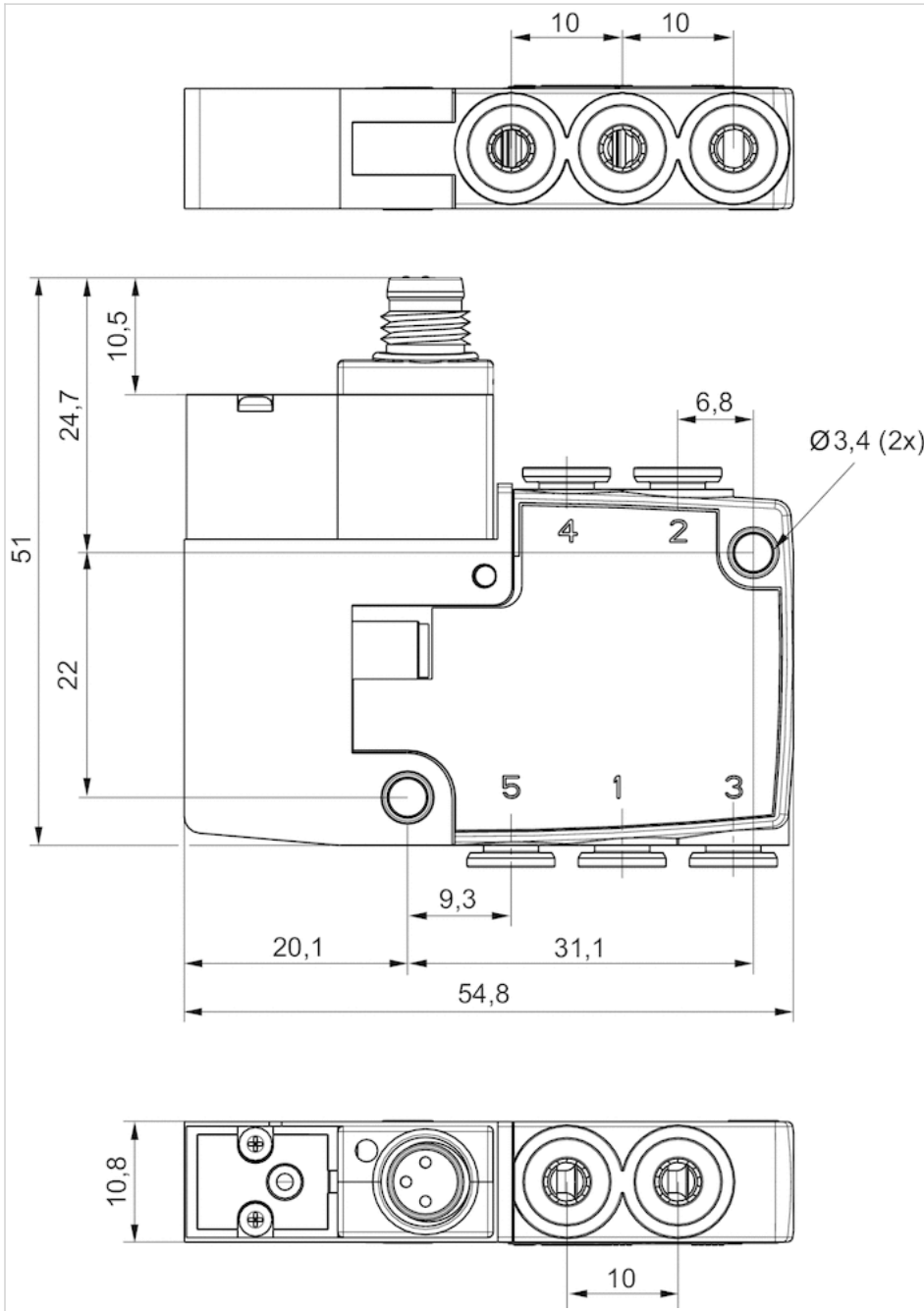
PIN assignment for valve plug connectors



- 1) DC -/+
- 2) not assigned
- 3) DC -/+

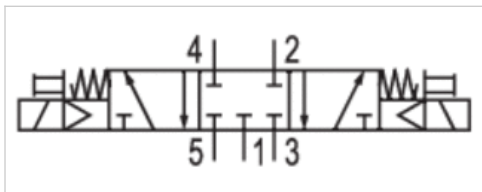
Dimensions

Dimensions



5/3-directional valve, Series LS04-AF

- Qn = 170-270 l/min
- closed center
- Pipe connection
- Compressed air connection output : Ø 4, Ø 6
- Electrical connection : 2, Plug, M8, 3-pin
- Manual override : without detent
- Pilot : internal



Version	Spool valve, positive overlapping
Activation	Electrically
Pilot	internal
Sealing principle	Soft sealing
Working pressure min./max.	3 ... 7 bar
Ambient temperature min./max.	-10 ... 50 °C
Medium temperature min./max.	-10 ... 50 °C
Medium	Compressed air
Max. particle size	5 µm
Oil content of compressed air	0 ... 5 mg/m³
Nominal flow Qn	See table below
Connector standard	DIN EN 60947-5-2
Protection class acc. to DIN EN 61140,Electrically	Class III
Protection class,with connection	IP65
Protective circuit	Z-diode
LED status display	Yellow
Duty cycle	100 %
Typ. switch-on time	10 ms
Generic emission standard in accordance with	EN 61000-6-4:2002
Generic immunity standard in accordance with	IEC 61000-6-2:2005
mounting screws	M3
Mounting screw tightening torque	0,5 Nm
Weight	0,063 kg

Technical data

Part No.	MO	Compressed air connection	
		Input	Output
R422103842		Ø 4	Ø 4
R422103843		Ø 6	Ø 6

Part No.	Compressed air connection		Operationalvoltage	Voltage tolerance
	Exhaust		DC	DC
R422103842	Ø 4		24 V	-10% / +10%
R422103843	Ø 6		24 V	-10% / +10%

Part No.	Power consumption	Flow conductance	Flow conductance	Nominal flow Qn
	DC	b	C-value	
R422103842	1,3 W	0,4	0,8 l/(s*bar)	170 l/min

Part No.	Power consumption	Flow conductance	Flow conductance	Nominal flow Qn
	DC	b	C-value	
R422103843	1,3 W	0,3	1,3 l/(s*bar)	270 l/min

Nominal flow Qn at 6 bar and $\Delta p = 1$ bar, MO = Manual override

Technical information

The min. control pressure must be adhered to, since otherwise faulty switching and valve failure may result!

The pressure dew point must be at least 15 °C under ambient and medium temperature and may not exceed 3 °C .

The oil content of compressed air must remain constant during the life cycle.

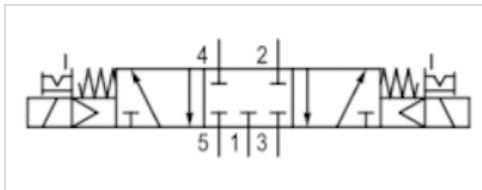
Use only the approved oils from AVENTICS. Further information can be found in the "Technical information" document (available in the MediaCentre).

Technical information

Material	
Housing	Polyoxymethylene
Seals	Acrylonitrile butadiene rubber, Hydrogenated nitrile butadiene rubber, Polyurethane



5/3-directional valve, Series LS04-AF

- Qn = 170-270 l/min
- closed center
- Pipe connection
- Compressed air connection output : Ø 4, Ø 6
- Electrical connection : 2, Plug, M8, 3-pin
- Manual override : with detent
- Pilot : internal



Version	Spool valve, positive overlapping
Activation	Electrically
Pilot	internal
Sealing principle	Soft sealing
Working pressure min./max.	3 ... 7 bar
Ambient temperature min./max.	-10 ... 50 °C
Medium temperature min./max.	-10 ... 50 °C
Medium	Compressed air
Max. particle size	5 µm
Oil content of compressed air	0 ... 5 mg/m ³
Nominal flow Qn	See table below
Connector standard	DIN EN 60947-5-2
Protection class acc. to DIN EN 61140, Electrically	Class III
Protection class, with connection	IP65
Protective circuit	Z-diode
LED status display	Yellow
Duty cycle	100 %
Typ. switch-on time	10 ms
Generic emission standard in accordance with EN 61000-6-4:2002	
Generic immunity standard in accordance with IEC 61000-6-2:2005	
mounting screws	M3
Mounting screw tightening torque	0,5 Nm
Weight	0,063 kg

Technical data

Part No.	MO	Compressed air connection	
		Input	Output
R422103846		Ø 4	Ø 4
R422103847		Ø 6	Ø 6

Part No.	Compressed air connection		Operational voltage	Voltage tolerance
	Exhaust		DC	DC
R422103846	Ø 4		24 V	-10% / +10%
R422103847	Ø 6		24 V	-10% / +10%

Part No.	Power consumption	Flow conductance	Flow conductance	Nominal flow Qn
	DC	b	C-value	
R422103846	1,3 W	0,4	0,8 l/(s*bar)	170 l/min

Part No.	Power consumption	Flow conductance	Flow conductance	Nominal flow Qn
	DC	b	C-value	
R422103847	1,3 W	0,3	1,3 l/(s*bar)	270 l/min

Nominal flow Qn at 6 bar and $\Delta p = 1$ bar, MO = Manual override

Technical information

The min. control pressure must be adhered to, since otherwise faulty switching and valve failure may result!

The pressure dew point must be at least 15 °C under ambient and medium temperature and may not exceed 3 °C .

The oil content of compressed air must remain constant during the life cycle.

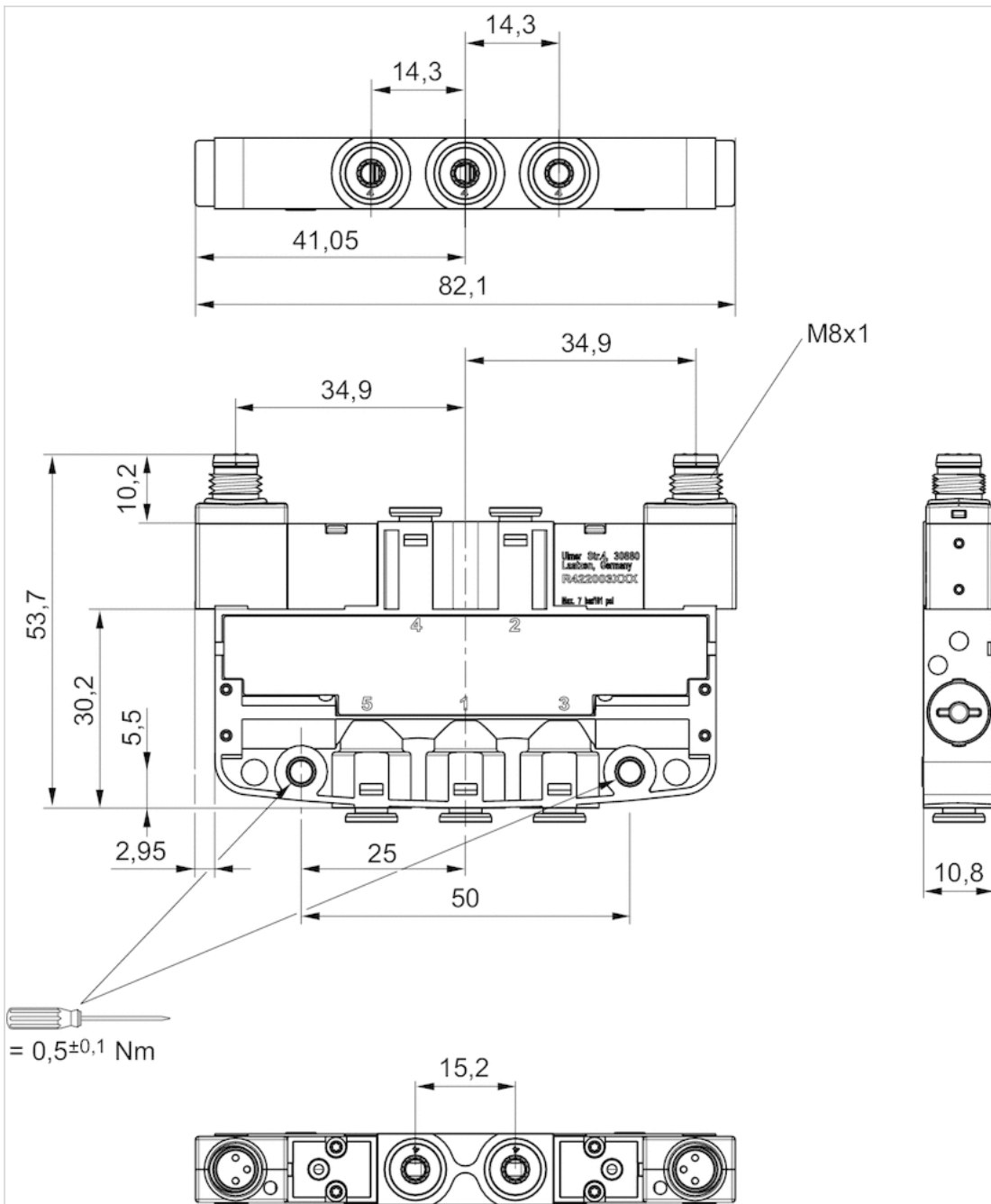
Use only the approved oils from AVENTICS. Further information can be found in the "Technical information" document (available in the MediaCentre).

Technical information

Material	
Housing	Polyoxymethylene
Seals	Acrylonitrile butadiene rubber, Hydrogenated nitrile butadiene rubber, Polyurethane

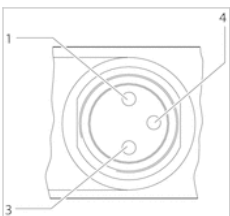
Dimensions

Dimensions



Pin assignments

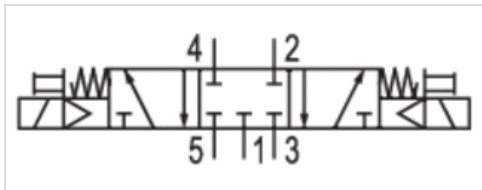
PIN assignment for valve plug connectors



1) Pin not assigned 3) 0 V4) 24 V Note: Bi-polar protective circuit to prevent overvoltage

5/3-directional valve, Series LS04-AF

- Qn = 170-270 l/min
- closed center
- Pipe connection
- Compressed air connection output : Ø 4, Ø 6
- Electrical connection : 2, Plug, Industrial plug connector, 2-pin
- Manual override : without detent
- Pilot : internal



Version	Spool valve, positive overlapping
Activation	Electrically
Pilot	internal
Sealing principle	Soft sealing
Working pressure min./max.	3 ... 7 bar
Ambient temperature min./max.	-10 ... 50 °C
Medium temperature min./max.	-10 ... 50 °C
Medium	Compressed air
Max. particle size	5 µm
Oil content of compressed air	0 ... 5 mg/m³
Nominal flow Qn	See table below
Protection class acc. to DIN EN 61140,Electrically	Class III
Protection class,with connection	IP50
Protective circuit	Z-diode
LED status display	Yellow
Duty cycle	100 %
Typ. switch-on time	10 ms
Generic emission standard in accordance with	EN 61000-6-4:2002
Generic immunity standard in accordance with	IEC 61000-6-2:2005
mounting screws	M3
Mounting screw tightening torque	0,5 Nm
Weight	0,063 kg

Technical data

Part No.	MO	Compressed air connection	
		Input	Output
R422103840		Ø 4	Ø 4
R422103841		Ø 6	Ø 6

Part No.	Compressed air connection		Operationalvoltage	Voltage tolerance
	Exhaust		DC	DC
R422103840	Ø 4		24 V	-10% / +10%
R422103841	Ø 6		24 V	-10% / +10%

Part No.	Power consumption	Flow conductance	Flow conductance	Nominal flow Qn
	DC	b	C-value	
R422103840	1,3 W	0,4	0,8 l/(s*bar)	170 l/min
R422103841	1,3 W	0,3	1,3 l/(s*bar)	270 l/min

Nominal flow Qn at 6 bar and $\Delta p = 1$ bar, MO = Manual override

Technical information

The min. control pressure must be adhered to, since otherwise faulty switching and valve failure may result!

The pressure dew point must be at least 15 °C under ambient and medium temperature and may not exceed 3 °C .

The oil content of compressed air must remain constant during the life cycle.

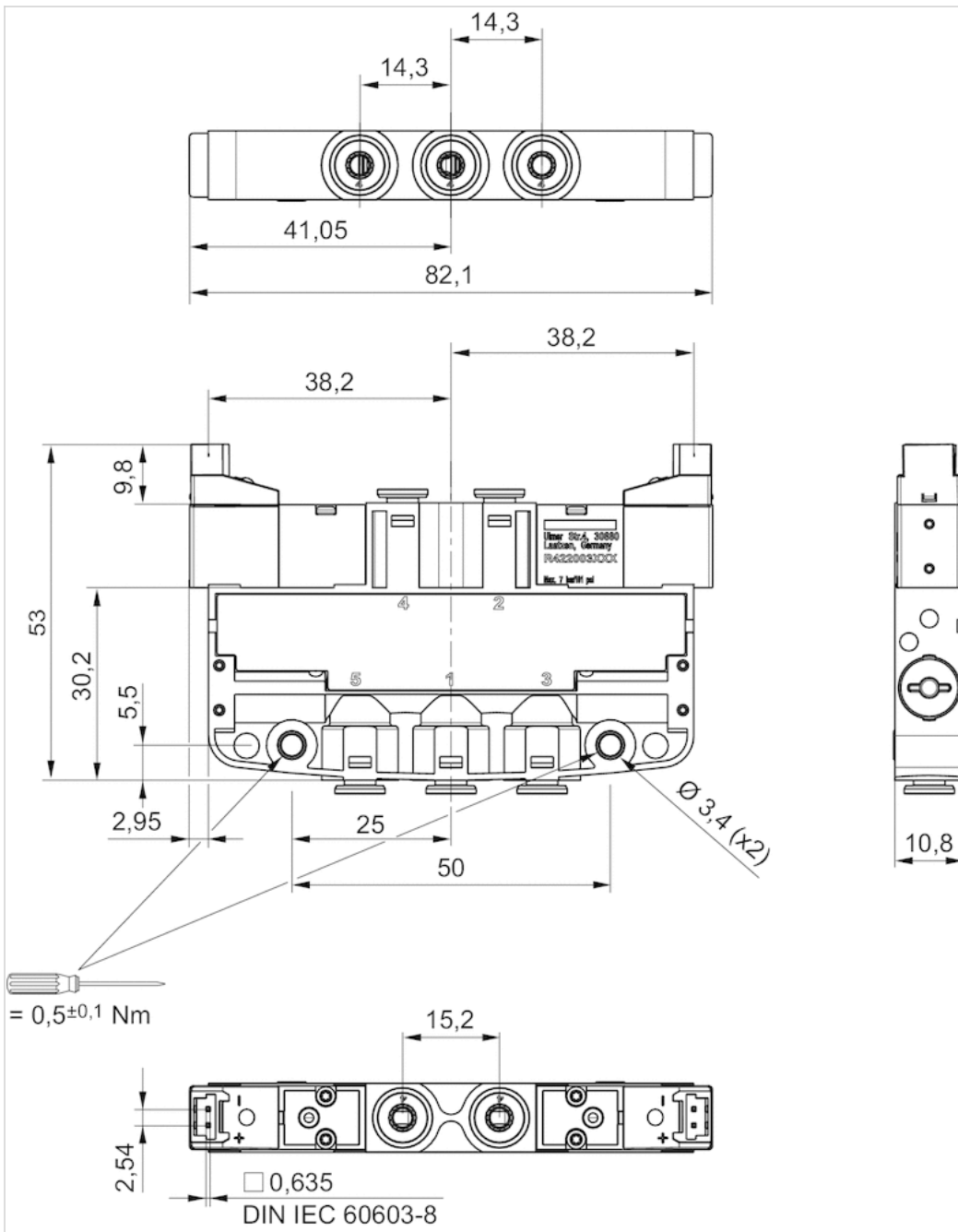
Use only the approved oils from AVENTICS. Further information can be found in the "Technical information" document (available in the MediaCentre).

Technical information

Material	
Housing	Polyoxymethylene
Seals	Acrylonitrile butadiene rubber, Hydrogenated nitrile butadiene rubber, Polyurethane

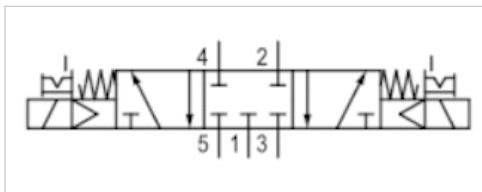
Dimensions

Dimensions



5/3-directional valve, Series LS04-AF

- Qn = 170-270 l/min
- closed center
- Pipe connection
- Compressed air connection output : Ø 4, Ø 6
- Electrical connection : 2, Plug, Industrial plug connector, 2-pin
- Manual override : with detent
- Pilot : internal



Version	Spool valve, positive overlapping
Activation	Electrically
Pilot	internal
Sealing principle	Soft sealing
Working pressure min./max.	3 ... 7 bar
Ambient temperature min./max.	-10 ... 50 °C
Medium temperature min./max.	-10 ... 50 °C
Medium	Compressed air
Max. particle size	5 µm
Oil content of compressed air	0 ... 5 mg/m³
Nominal flow Qn	See table below
Protection class acc. to DIN EN 61140, Electrically	Class III
Protection class, with connection	IP50
Protective circuit	Z-diode
LED status display	Yellow
Duty cycle	100 %
Typ. switch-on time	10 ms
Generic emission standard in accordance with EN 61000-6-4:2002	
Generic immunity standard in accordance with IEC 61000-6-2:2005	
mounting screws	M3
Mounting screw tightening torque	0,5 Nm
Weight	0,063 kg

Technical data

Part No.	MO	Compressed air connection	
		Input	Output
R422103844		Ø 4	Ø 4
R422103845		Ø 6	Ø 6

Part No.	Compressed air connection		Operational voltage	Voltage tolerance
	Exhaust			
R422103844	Ø 4		DC 24 V	-10% / +10%
R422103845	Ø 6		DC 24 V	-10% / +10%

Part No.	Power consumption	Flow conductance	Flow conductance	Nominal flow Qn
	DC	b	C-value	
R422103844	1,3 W	0,4	0,8 l/(s*bar)	170 l/min
R422103845	1,3 W	0,3	1,3 l/(s*bar)	270 l/min

Nominal flow Qn at 6 bar and $\Delta p = 1$ bar, MO = Manual override

Technical information

The min. control pressure must be adhered to, since otherwise faulty switching and valve failure may result!

The pressure dew point must be at least 15 °C under ambient and medium temperature and may not exceed 3 °C .

The oil content of compressed air must remain constant during the life cycle.

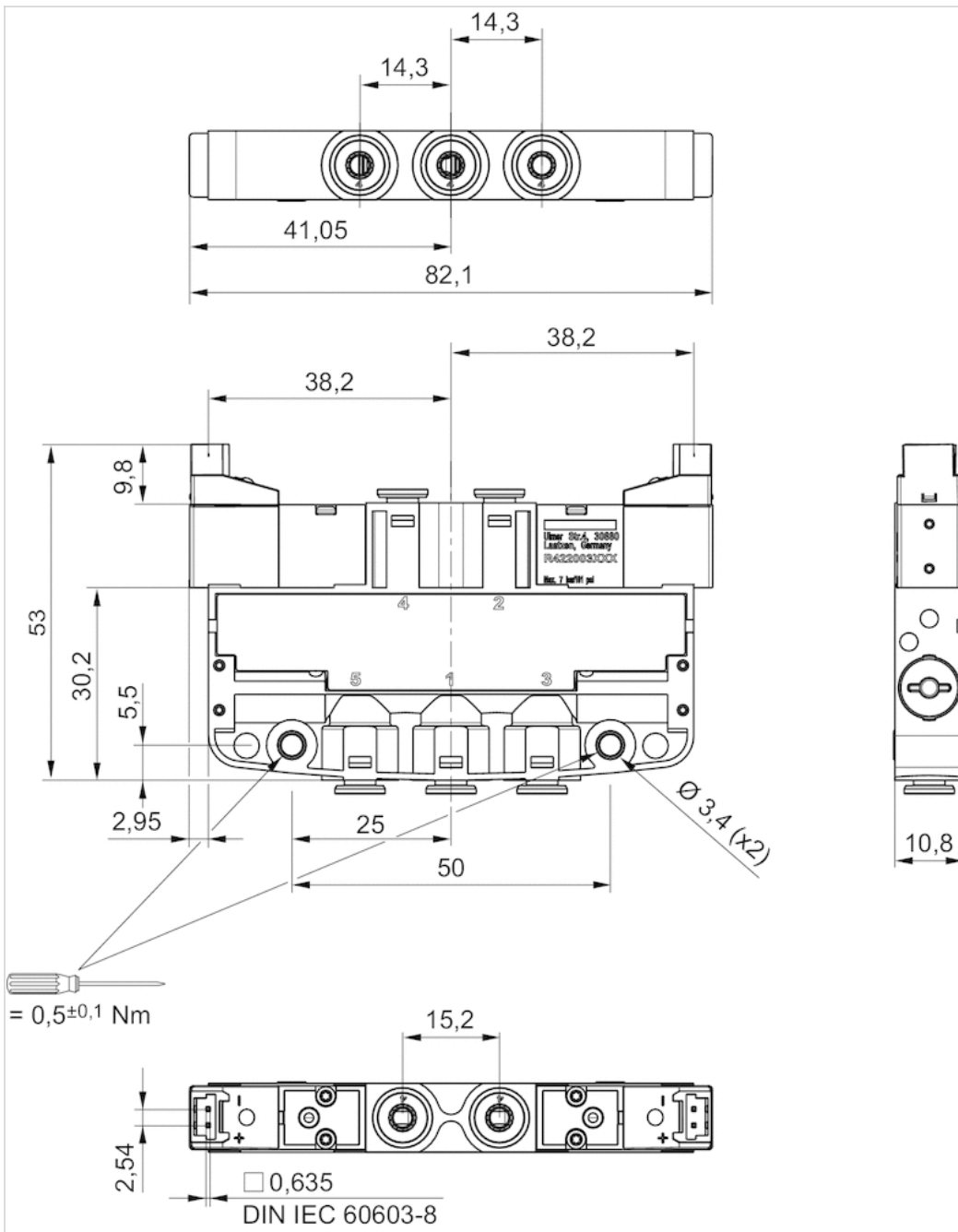
Use only the approved oils from AVENTICS. Further information can be found in the "Technical information" document (available in the MediaCentre).

Technical information

Material	
Housing	Polyoxymethylene
Seals	Acrylonitrile butadiene rubber, Hydrogenated nitrile butadiene rubber, Polyurethane

Dimensions

Dimensions

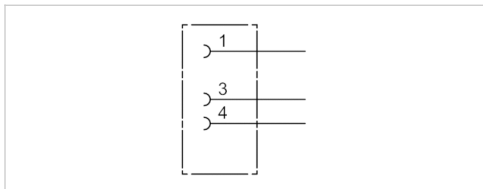


Round plug connector, Series CON-RD

- Socket, M8x1, 3-pin, A-coded, straight, 180°
- UL (Underwriters Laboratories)
- unshielded



Connection type	Soldering
Ambient temperature min./max.	-25 ... 80 °C
Operational voltage	48 V, AC/DC
Protection class	IP67
Weight	0,009 kg



Technical data

Part No.	Max. current	suitable cable-Ø min./max
1834484173	4 A	3,5 mm

Technical information

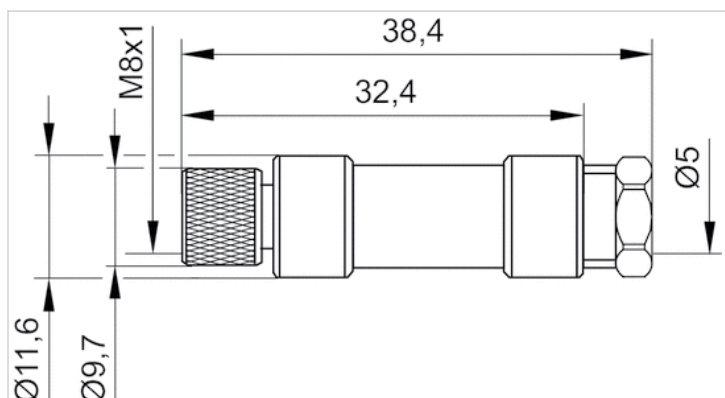
The specified protection class is only valid in assembled and tested state.

Technical information

Material	
Housing	Polyamide

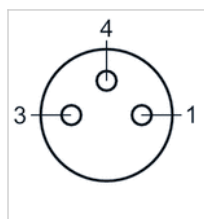
Dimensions

Dimensions



Pin assignments

Pin assignment socket

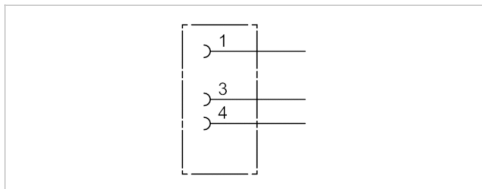


Round plug connector, Series CON-RD

- Socket, M8x1, 3-pin, A-coded, angled, 90°
- UL (Underwriters Laboratories)
- unshielded



Connection type	Soldering
Ambient temperature min./max.	-40 ... 85 °C
Operational voltage	48 V, AC/DC
Protection class	IP67
Weight	0,01 kg



Technical data

Part No.	Max. current	Contact assignment	suitable cable-Ø min./max
1834484174	4 A	3	3,5 / 5 mm

Technical information

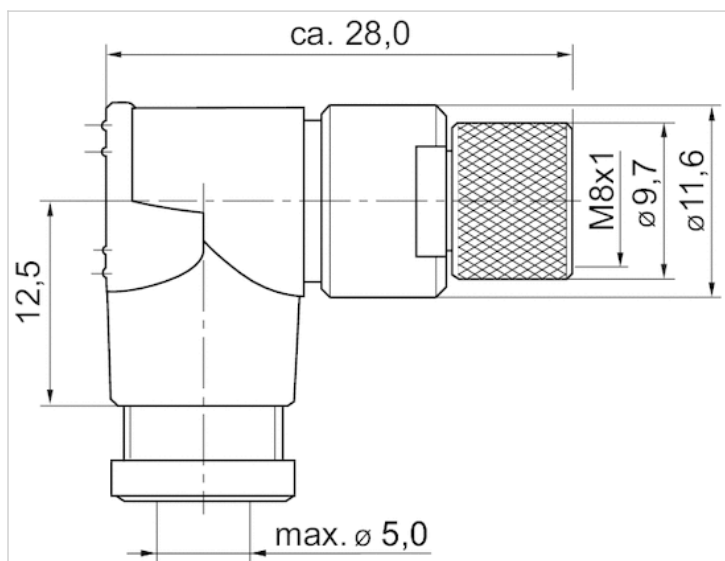
The specified protection class is only valid in assembled and tested state.

Technical information

Material	
Housing	Polyamide

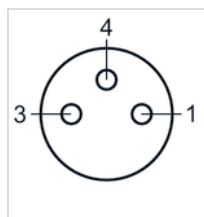
Dimensions

Dimensions



Pin assignments

Pin assignment socket



Round plug connector, Series CON-RD

- Socket, M8x1, 3-pin, A-coded, straight, 180°
- open cable ends
- with cable
- UL (Underwriters Laboratories)
- unshielded



Ambient temperature min./max.	-25 ... 85 °C
Operational voltage	48 V, AC/DC
Protection class	IP67
Wire cross-section	0,24 mm ²
Weight	See table below

Technical data

Part No.	Max. current	Number of wires	Cable-Ø	Cable length	Certification	Weight
1834484166	4 A	3	4,5 mm	3 m	UL (Underwriters Laboratories)	0,087 kg
1834484168	4 A	3	4,5 mm	5 m	UL (Underwriters Laboratories)	0,141 kg
1834484247	4 A	3	4,5 mm	10 m	UL (Underwriters Laboratories)	0,277 kg

Technical information

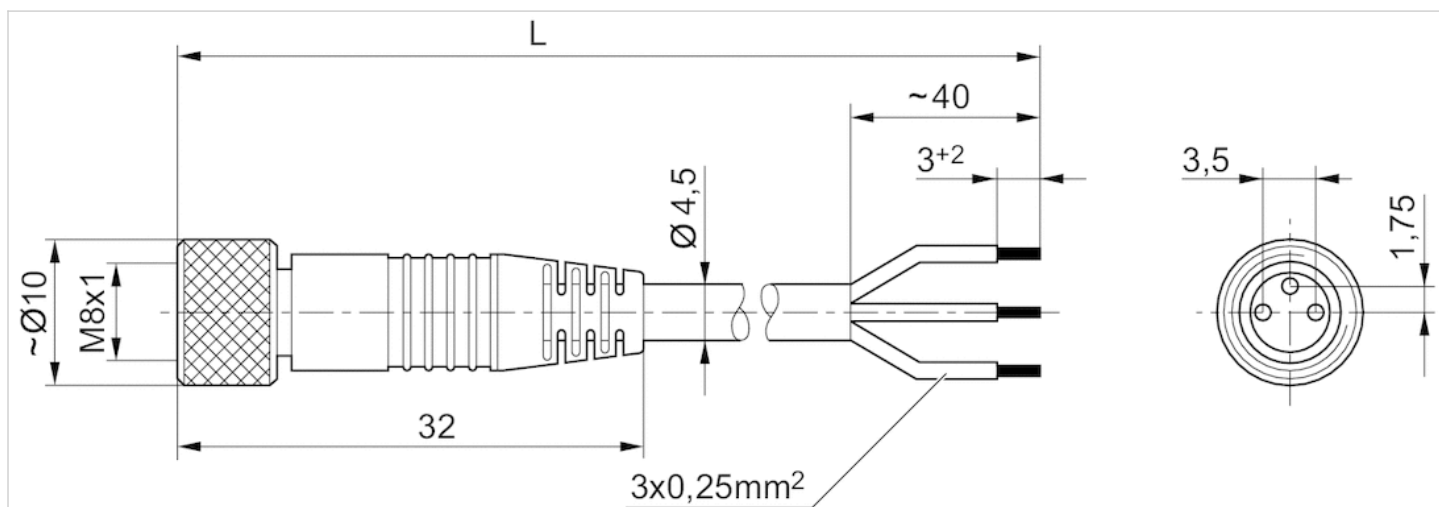
The specified protection class is only valid in assembled and tested state.

Technical information

Material	
Housing	Polyurethane
Cable sheath	Polyurethane

Dimensions

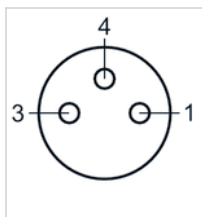
Dimensions



L = length

Pin assignments

Pin assignment socket



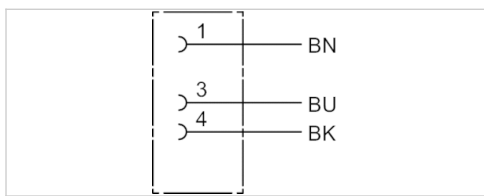
(1) BN=brown(3) BU=blue(4) BK=black

Round plug connector, Series CON-RD

- Socket, M8x1, 3-pin, A-coded, angled, 90°
- open cable ends
- with cable
- unshielded



Ambient temperature min./max.	-40 ... 85 °C
Operational voltage	48 V, AC/DC
Protection class	IP67
Wire cross-section	0,24 mm ²
Weight	See table below



Technical data

Part No.	Max. current	Number of wires	Cable-Ø	Cable length	Weight
1834484167	4 A	3	4,5 mm	3 m	0,087 kg
1834484169	4 A	3	4,5 mm	5 m	0,139 kg
1834484248	4 A	3	4,5 mm	10 m	0,279 kg

Technical information

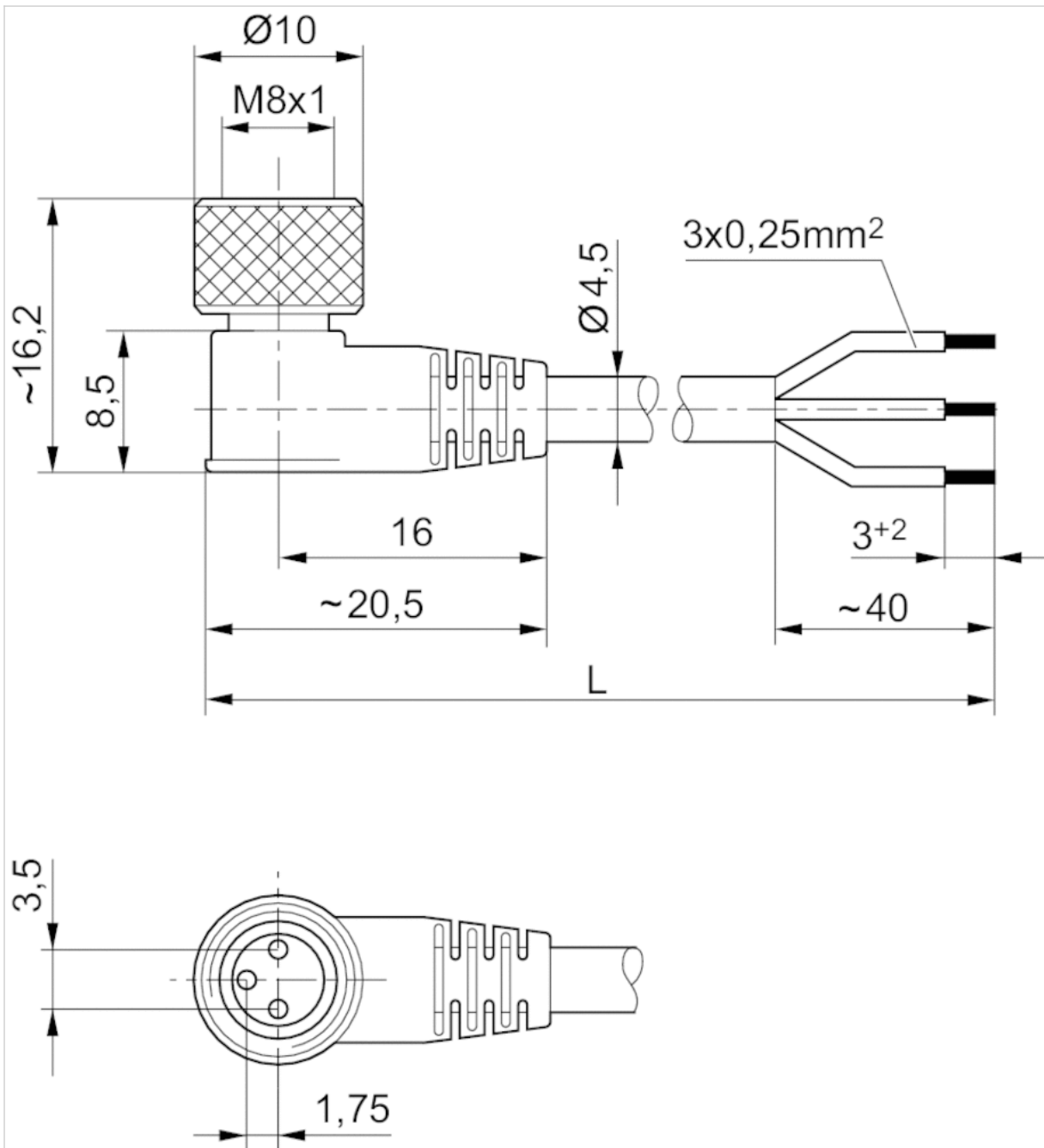
The specified protection class is only valid in assembled and tested state.

Technical information

Material	
Housing	Polyurethane
Cable sheath	Polyurethane

Dimensions

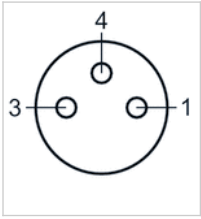
Dimensions



L = length

Pin assignments

Pin assignment socket



(1) BN=brown(3) BU=blue(4) BK=black

Valve plug connector, series CON-VP

- Socket, Industrial plug connector, 2-pin, straight, 180°
- with cable
- unshielded



Ambient temperature min./max.	See table below
Operational voltage	48 V, AC/DC
Protection class	IP40
Weight	See table below

Technical data

Part No.	Ambient temperature min./max.	Electrical connection
		2
R422003277	-40 ... 80 °C	-
R422003278	-40 ... 80 °C	open cable ends, 2-pin
R422003279	-15 ... 80 °C	open cable ends, 2-pin
R412024482	-25 ... 80 °C	Plug, Industrial plug connector, 2-pin, straight, 180°

Part No.	Number of wires	Wire cross-section	Cable sheath	Cable-Ø	Cable length	Cable
R422003277	-	-	-	-	-	-
R422003278	2	0,25 mm ²	Polyvinyl chloride	1,5 mm	3 m	with cable
R422003279	2	0,25 mm ²	Polyvinyl chloride	1,5 mm	5 m	with cable
R412024482	2	0,25 mm ²	Polyvinyl chloride	1,5 mm	0,6 m	with cable

Part No.	Connection type	Delivery unit	Weight	Fig.	
R422003277	Crimping	10 piece	0,001 kg	Fig. 1	1)
R422003278	-	1 piece	0,026 kg	Fig. 1	-
R422003279	-	1 piece	0,042 kg	Fig. 1	-
R412024482	-	1 piece	0,002 kg	Fig. 2	2)

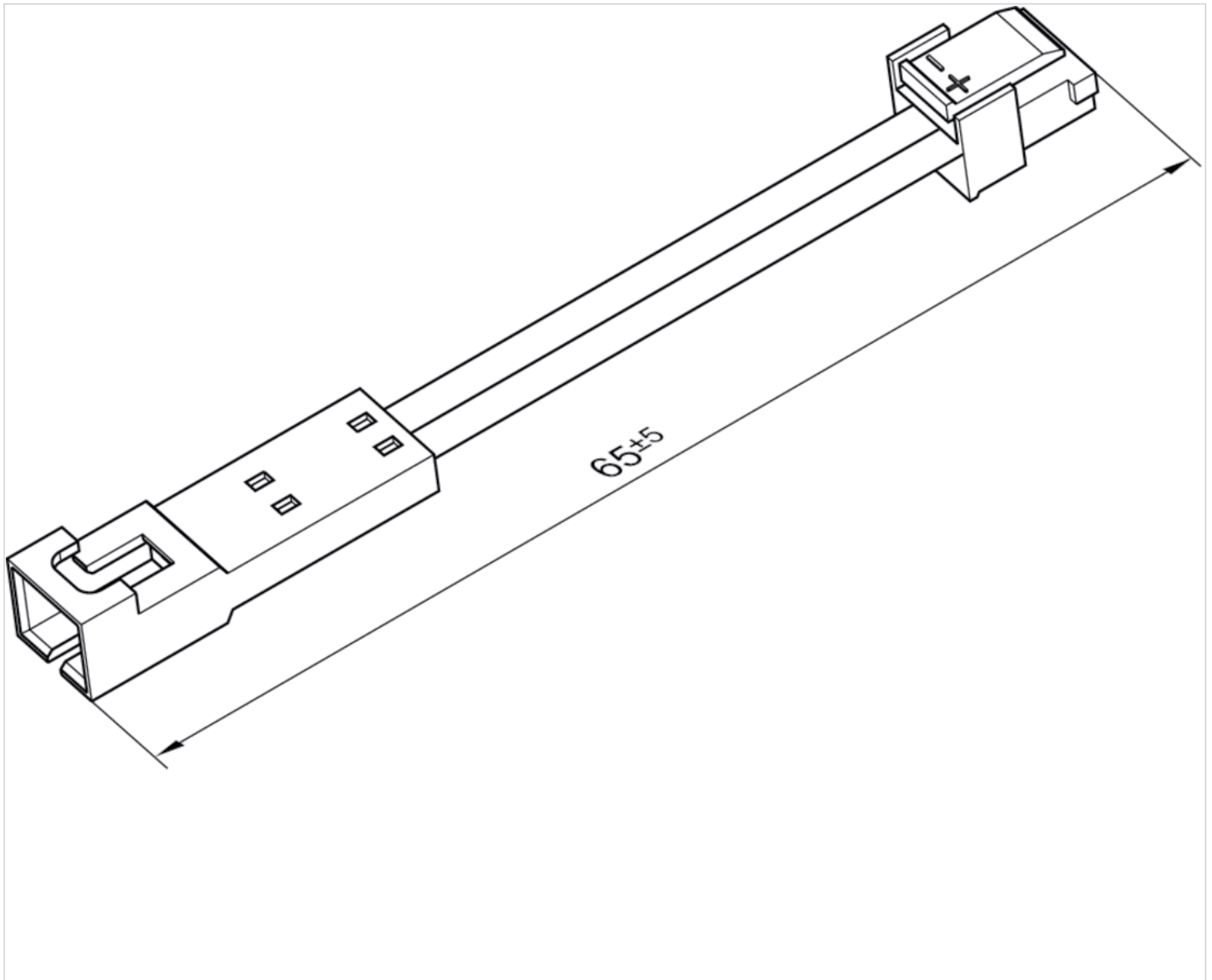
1) without cable

2) Adapter cable for industrial plug-in fittings

Technical information

Material	
Cable sheath	Polyvinyl chloride

Dimensions Fig. 2



Dimensions

Dimensions Fig. 1

