



## 2x3/2-directional valve, Series ES05

- $Q_n = 370\text{-}500$  l/min
- Compressed air connection output :  $\varnothing 8$
- Electrical connection : form C, industry
- Manual override : without detent
- single solenoid



Activation	Electrically
Working pressure min./max.	3 ... 8 bar
Ambient temperature min./max.	5 ... 50 °C
Medium temperature min./max.	5 ... 50 °C
Medium	Compressed air
Max. particle size	40 $\mu\text{m}$
Oil content of compressed air	0 ... 5 mg/m <sup>3</sup>
Nominal flow $Q_n$	See table below
Protection class,with connection	IP65
Duty cycle	100 %

### Technical data

Part No.			Compressed air connection	
			Input	Output
R422103177		NC/NC	$\varnothing 8$	$\varnothing 8$
R422103178		NO/NO	$\varnothing 8$	$\varnothing 8$

Part No.	Compressed air connection		Operationalvoltage	Voltage tolerance
	Exhaust		DC	DC
R422103177	$\varnothing 8$		24 V	-15% / +10%
R422103178	$\varnothing 8$		24 V	-15% / +10%

Part No.	Power consumption		Nominal flow $Q_n$	Switch-on time	Switch-off time
	DC				
R422103177	2 W		500 l/min	20	20
R422103178	2 W		370 l/min	20	20

Nominal flow  $Q_n$  at 6 bar and  $\Delta p = 1$  bar

### Technical information

The min. control pressure must be adhered to, since otherwise faulty switching and valve failure may result!

The pressure dew point must be at least 15 °C under ambient and medium temperature and may not exceed 3 °C .

The oil content of compressed air must remain constant during the life cycle.

Use only the approved oils from AVENTICS. Further information can be found in the "Technical information" document (available in the MediaCentre).

Exhaust air throttling may only be used in operating lines

## Technical information

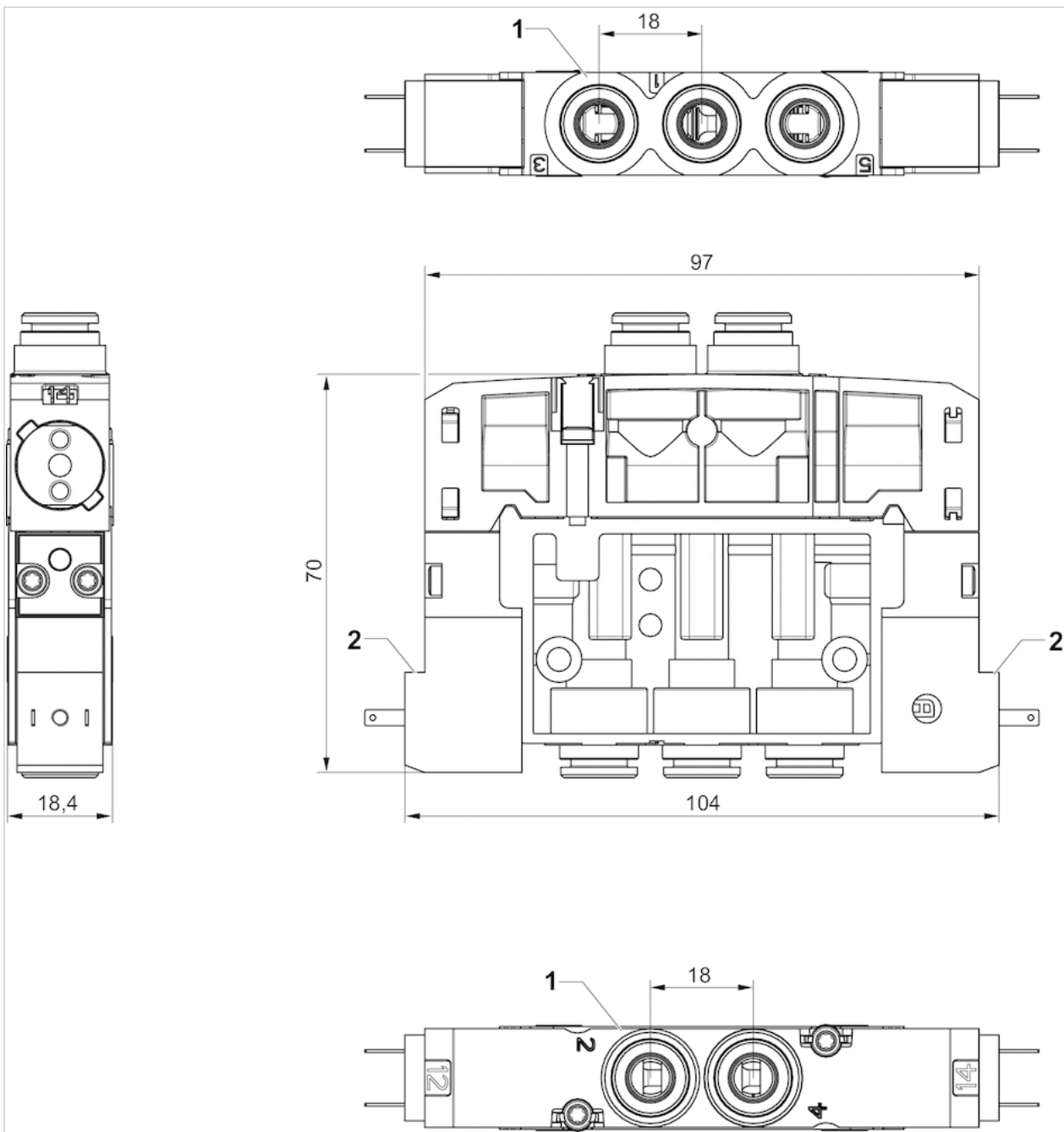
Material

Housing

Polyamide, fiber-glass reinforced

## Dimensions

Dimensions



1) Connections [ 1 , 3 , 5 , 2 , 4 ] Ø 8

2) 2 pilot valves with external electrical connection



# 2x3/2-directional valve, Series ES05

- Qn = 370-500 l/min
- Compressed air connection output : Ø 8
- Electrical connection : M8x1, 3-pin
- Manual override : without detent
- single solenoid



Activation	Electrically
Working pressure min./max.	3 ... 8 bar
Ambient temperature min./max.	5 ... 50 °C
Medium temperature min./max.	5 ... 50 °C
Medium	Compressed air
Max. particle size	40 µm
Oil content of compressed air	0 ... 5 mg/m <sup>3</sup>
Nominal flow Qn	See table below
Protection class, with connection	IP65
Duty cycle	100 %

## Technical data

Part No.			Compressed air connection	
			Input	Output
R422103857		NC/NC	Ø 8	Ø 8
R422103858		NO/NO	Ø 8	Ø 8

Part No.	Compressed air connection		Operational voltage	
	Exhaust		DC	DC
R422103857	Ø 8		24 V	-15% / +10%
R422103858	Ø 8		24 V	-15% / +10%

Part No.	Power consumption		Nominal flow Qn	Switch-on time	Switch-off time
	DC				
R422103857	2 W		500 l/min	20	20
R422103858	2 W		370 l/min	20	20

Nominal flow Qn at 6 bar and  $\Delta p = 1$  bar

## Technical information

The min. control pressure must be adhered to, since otherwise faulty switching and valve failure may result!  
 The pressure dew point must be at least 15 °C under ambient and medium temperature and may not exceed 3 °C .  
 The oil content of compressed air must remain constant during the life cycle.  
 Use only the approved oils from AVENTICS. Further information can be found in the "Technical information" document (available in the MediaCentre).

Exhaust air throttling may only be used in operating lines

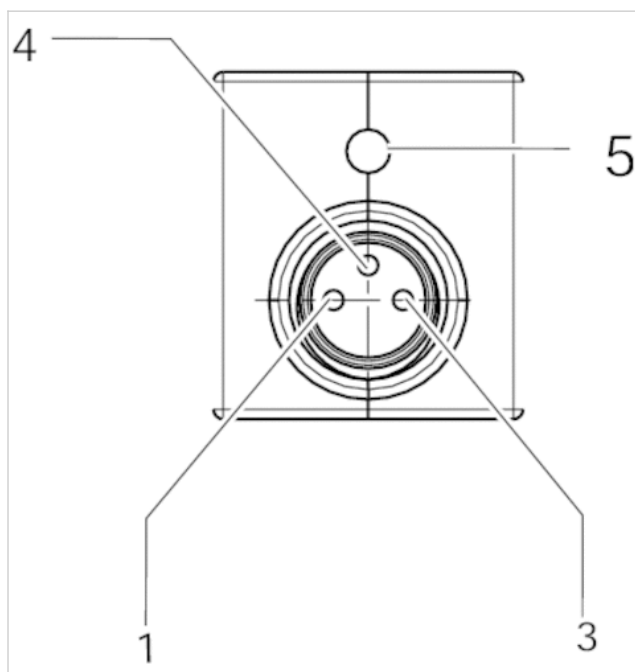
## Technical information

### Material

Housing

Polyamide, fiber-glass reinforced

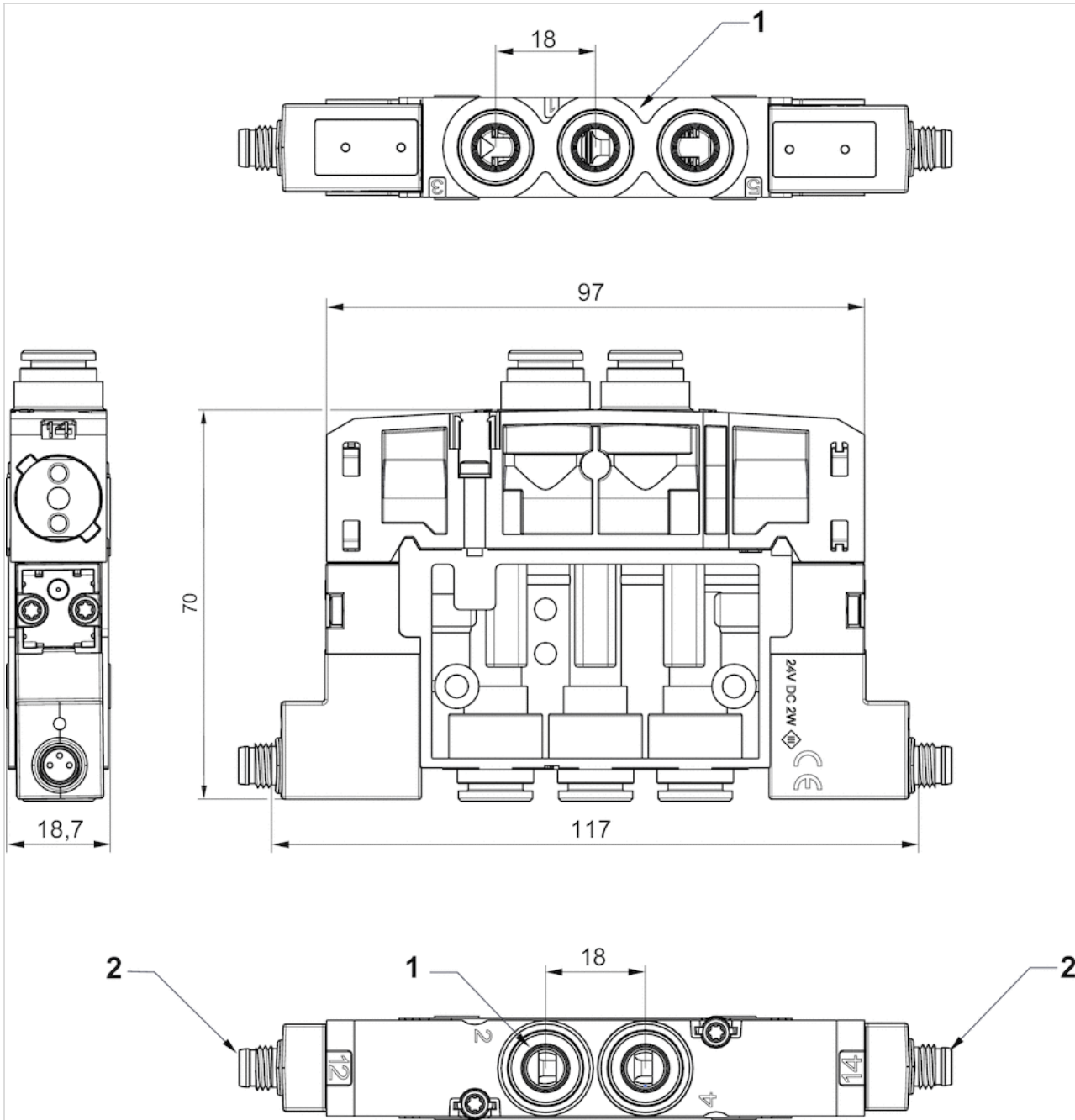
### PIN assignment for valve plug connectors



Pin assignment: 1) Pin not assigned 3) 0 V 4) 24 V 5) LED  
Note: Bi-polar protective circuit to prevent overvoltage

Dimensions

Dimensions



- 1) Connections [1 ,3 ,5, 2, 4] Ø 8
- 2) 1 pilot valve with electrical connection M8x1

# 5/2-directional valve, Series ES05

- Qn = 610 l/min
- Compressed air connection output : Ø 8
- Electrical connection : form C, industry
- Manual override : without detent
- single solenoid, Double solenoid



Activation	Electrically
Working pressure min./max.	3 ... 8 bar
Ambient temperature min./max.	5 ... 50 °C
Medium temperature min./max.	5 ... 50 °C
Medium	Compressed air
Max. particle size	40 µm
Oil content of compressed air	0 ... 5 mg/m <sup>3</sup>
Nominal flow Qn	610 l/min
Protection class, with connection	IP65
Duty cycle	100 %

## Technical data

Part No.		Compressed air connection	
		Input	Output
R422103175		Ø 8	Ø 8
R422103176		Ø 8	Ø 8

Part No.	Compressed air connection		Operational voltage	
	Exhaust		DC	Voltage tolerance
R422103175	Ø 8		24 V	-15% / +10%
R422103176	Ø 8		24 V	-15% / +10%

Part No.	Power consumption		Switch-on time	Switch-off time	Fig.
	DC				
R422103175	2 W		20	35	Fig. 1
R422103176	2 W		20	20	Fig. 2

Nominal flow Qn at 6 bar and Δp = 1 bar

## Technical information

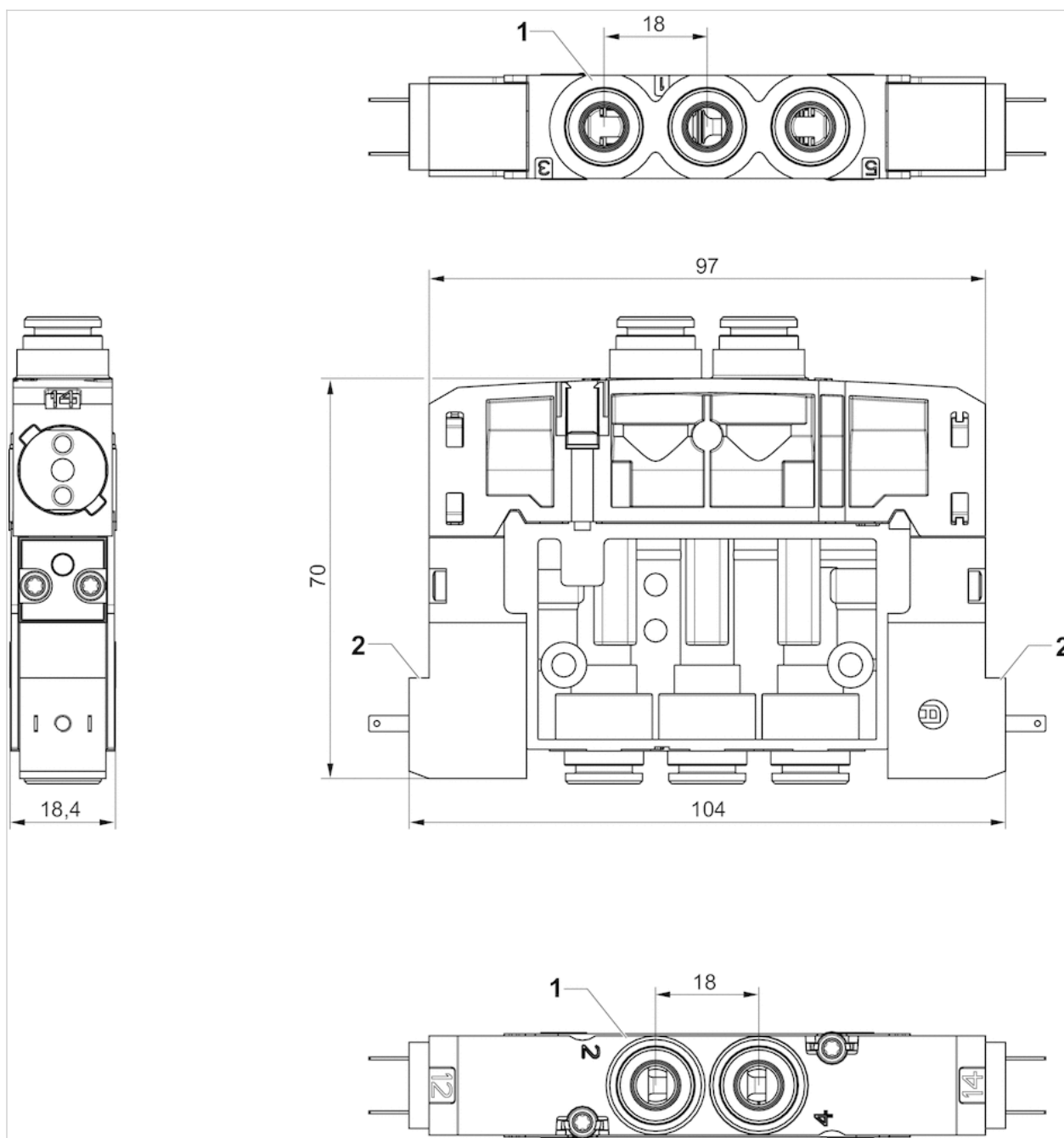
The min. control pressure must be adhered to, since otherwise faulty switching and valve failure may result!  
 The pressure dew point must be at least 15 °C under ambient and medium temperature and may not exceed 3 °C .  
 The oil content of compressed air must remain constant during the life cycle.  
 Use only the approved oils from AVENTICS. Further information can be found in the "Technical information" document (available in the MediaCentre).

Exhaust air throttling may only be used in operating lines

## Technical information

Material	
Housing	Polyamide, fiber-glass reinforced
Seals	Acrylonitrile butadiene rubber

Fig. 2 Double solenoid

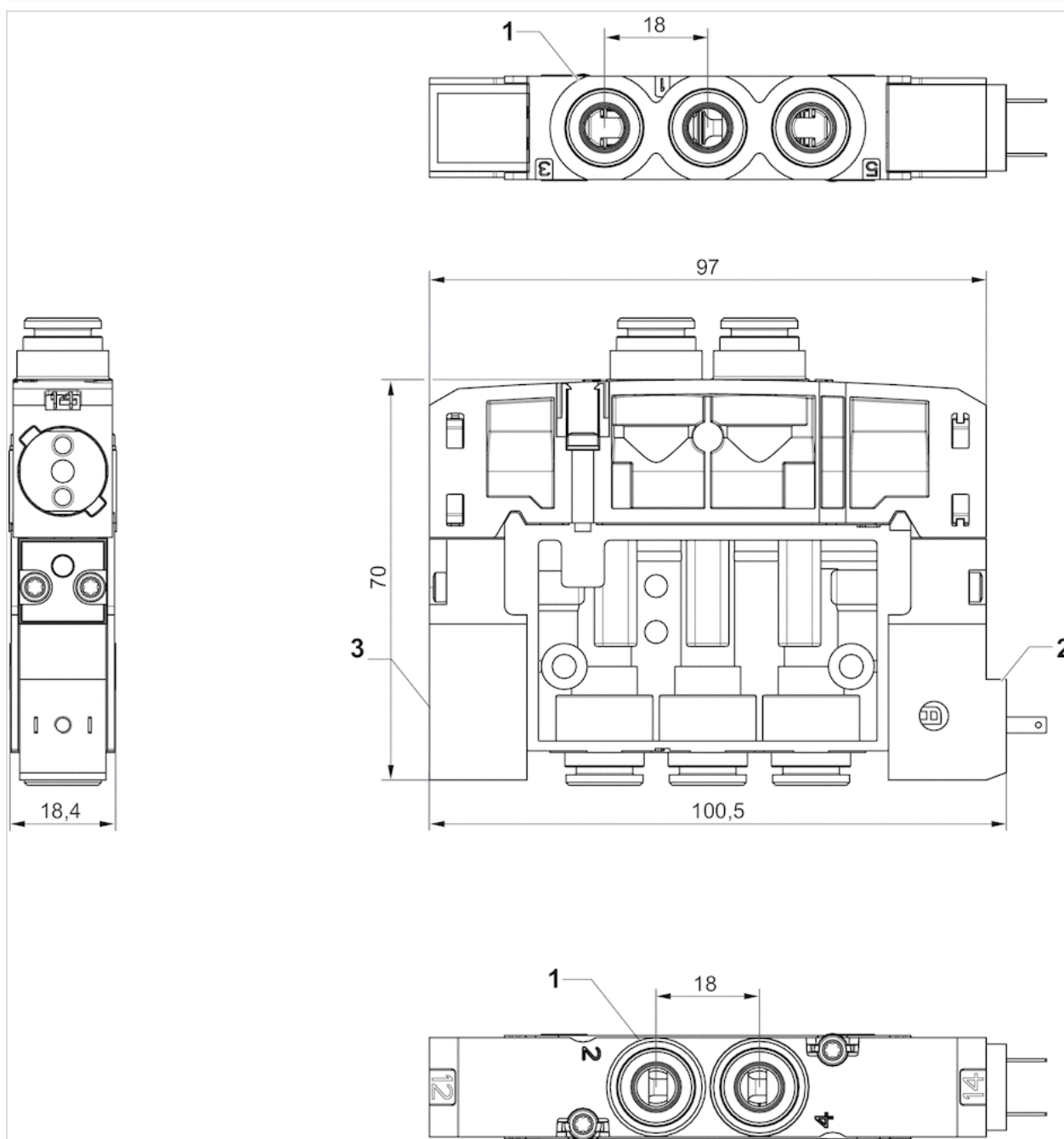


1) Connections [1 ,3 ,5, 2, 4] Ø 8

2) 2 pilot valves with external electrical connection

## Dimensions

Fig. 1 single solenoid



- 1) Connections [1 ,3 ,5, 2, 4] Ø 8
- 2) 1 pilot valve with electrical connection
- 3) Pilot blanking plate





# 5/2-directional valve, Series ES05

- Qn = 610 l/min
- Compressed air connection output : Ø 8
- Electrical connection : M8x1, 3-pin
- Manual override : without detent
- single solenoid, Double solenoid



Activation	Electrically
Working pressure min./max.	3 ... 8 bar
Ambient temperature min./max.	5 ... 50 °C
Medium temperature min./max.	5 ... 50 °C
Medium	Compressed air
Max. particle size	40 µm
Oil content of compressed air	0 ... 5 mg/m <sup>3</sup>
Nominal flow Qn	610 l/min
Protection class, with connection	IP65
Duty cycle	100 %

## Technical data

Part No.		Compressed air connection	
		Input	Output
R422103855		Ø 8	Ø 8
R422103856		Ø 8	Ø 8

Part No.	Compressed air connection		Operational voltage	
	Exhaust		DC	Voltage tolerance
R422103855	Ø 8		24 V	-15% / +10%
R422103856	Ø 8		24 V	-15% / +10%

Part No.	Power consumption		Switch-on time	Switch-off time	Fig.
	DC				
R422103855	2 W		20	35	Fig. 1
R422103856	2 W		20	20	Fig. 2

Nominal flow Qn at 6 bar and  $\Delta p = 1$  bar

## Technical information

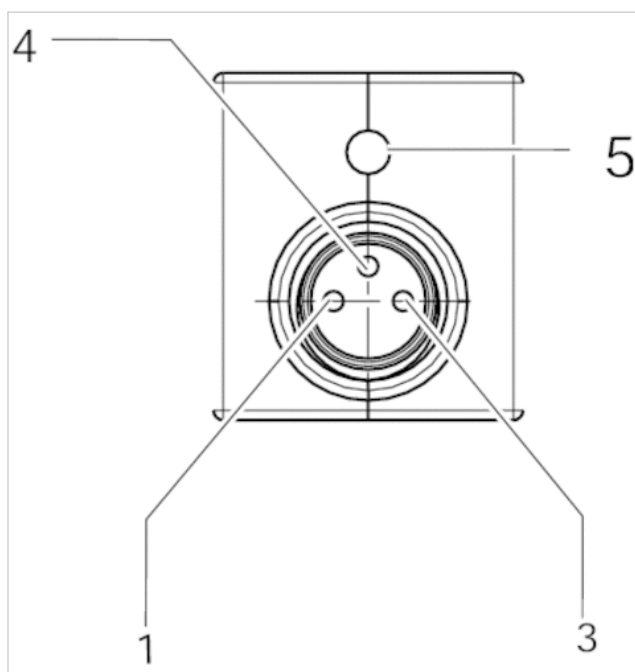
The min. control pressure must be adhered to, since otherwise faulty switching and valve failure may result!  
 The pressure dew point must be at least 15 °C under ambient and medium temperature and may not exceed 3 °C .  
 The oil content of compressed air must remain constant during the life cycle.  
 Use only the approved oils from AVENTICS. Further information can be found in the "Technical information" document (available in the MediaCentre).

Exhaust air throttling may only be used in operating lines

## Technical information

Material	
Housing	Polyamide, fiber-glass reinforced
Seals	Acrylonitrile butadiene rubber

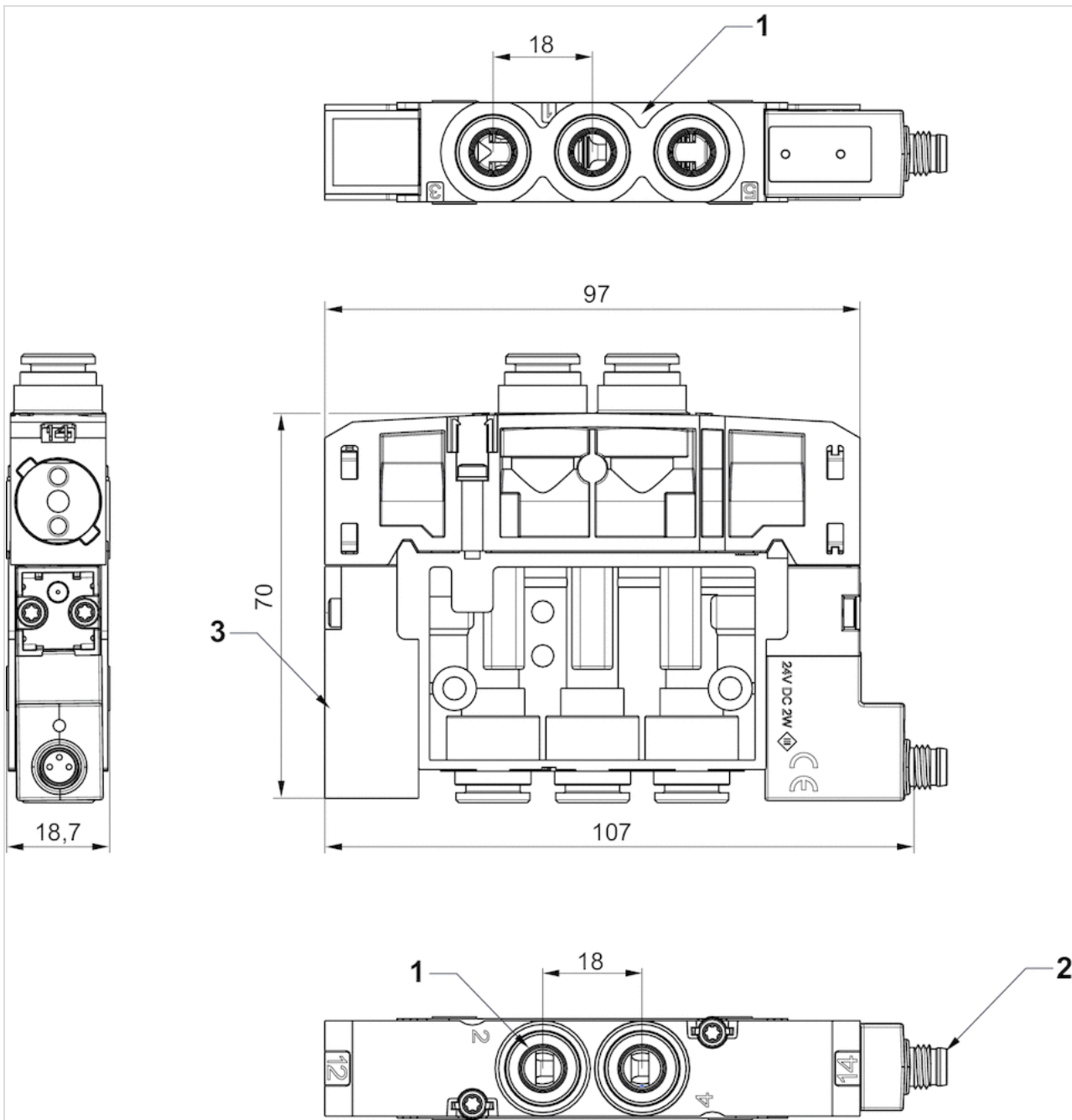
## PIN assignment for valve plug connectors



Pin assignment: 1) Pin not assigned 3) 0 V 4) 24 V 5) LED Note: Bi-polar protective circuit to prevent overvoltage

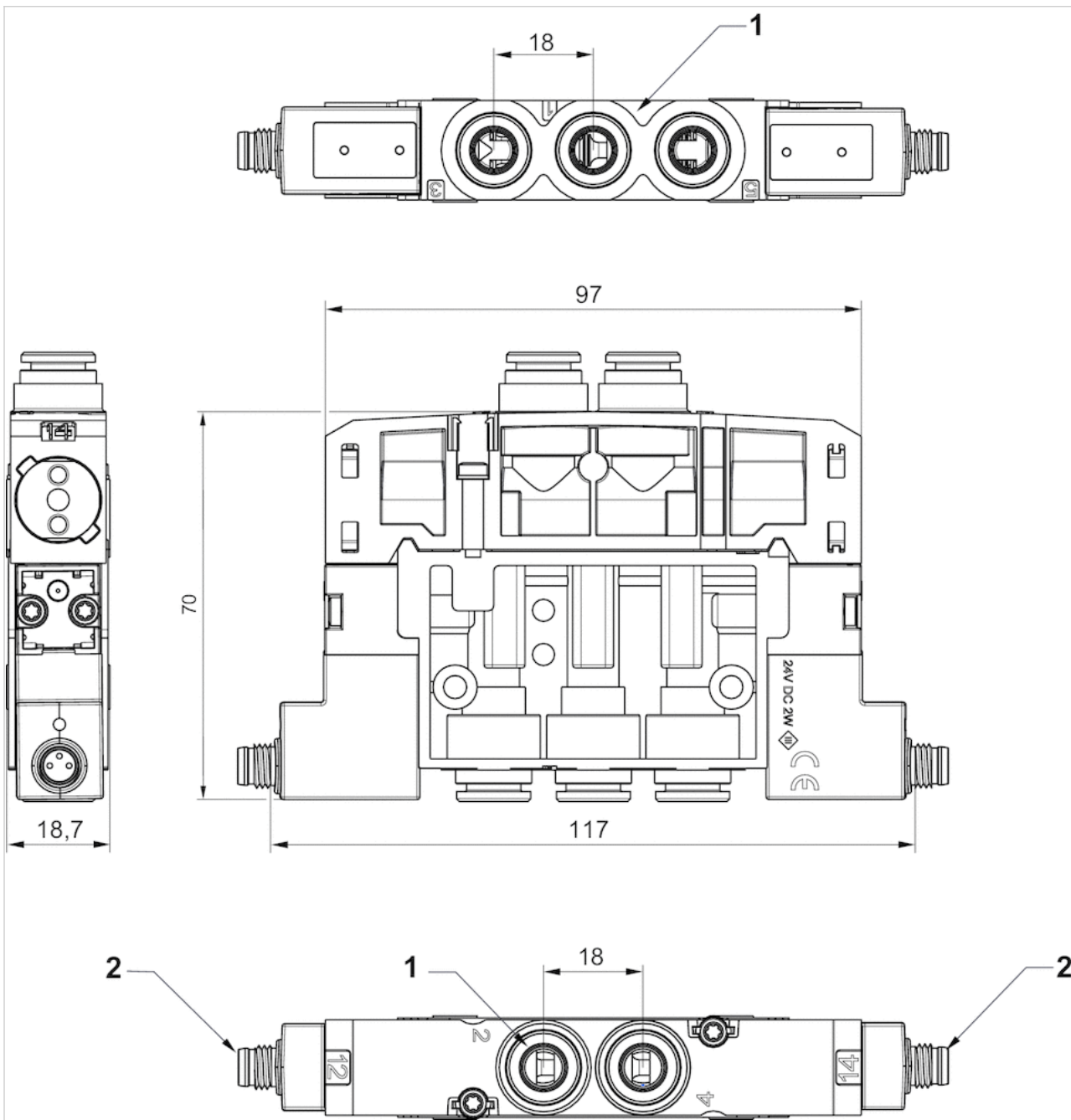
## Dimensions

Fig. 1 single solenoid



- 1) Connections [1 ,3 ,5, 2, 4] Ø 3/8
- 2) 2 pilot valves with external electrical connection M8x1
- 3) Pilot blanking plate

Fig. 2 Double solenoid



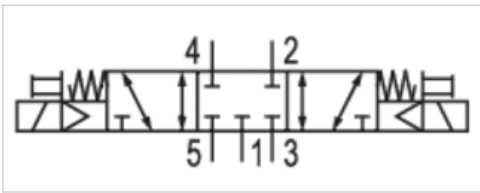
- 1) Connections [1 ,3 ,5, 2, 4] Ø 8
- 2) 2 pilot valves with external electrical connection M8x1

# 5/3-directional valve, Series ES05

- Qn = 500 l/min
- closed center
- Compressed air connection output : Ø 8
- Electrical connection : form C, industry
- Double solenoid



Activation	Electrically
Working pressure min./max.	3 ... 8 bar
Ambient temperature min./max.	5 ... 50 °C
Medium temperature min./max.	5 ... 50 °C
Medium	Compressed air
Max. particle size	40 µm
Oil content of compressed air	0 ... 5 mg/m <sup>3</sup>
Nominal flow Qn	500 l/min
Protection class, with connection	IP65
LED status display	Yellow
Duty cycle	100 %



## Technical data

Part No.	Compressed air connection	
	Input	Output
R422103183	Ø 8	Ø 8

Part No.	Compressed air connection	Operational voltage	Voltage tolerance
	Exhaust	DC	DC
R422103183	Ø 8	24 V	-15% / +10%

Part No.	Power consumption	Switch-on time	Switch-off time
	DC		
R422103183	2 W	20	20

Nominal flow Qn at 6 bar and  $\Delta p = 1$  bar, MO = Manual override

## Technical information

The min. control pressure must be adhered to, since otherwise faulty switching and valve failure may result!  
 The pressure dew point must be at least 15 °C under ambient and medium temperature and may not exceed 3 °C .  
 The oil content of compressed air must remain constant during the life cycle.  
 Use only the approved oils from AVENTICS. Further information can be found in the "Technical information" document (available in the MediaCentre).

Exhaust air throttling may only be used in operating lines

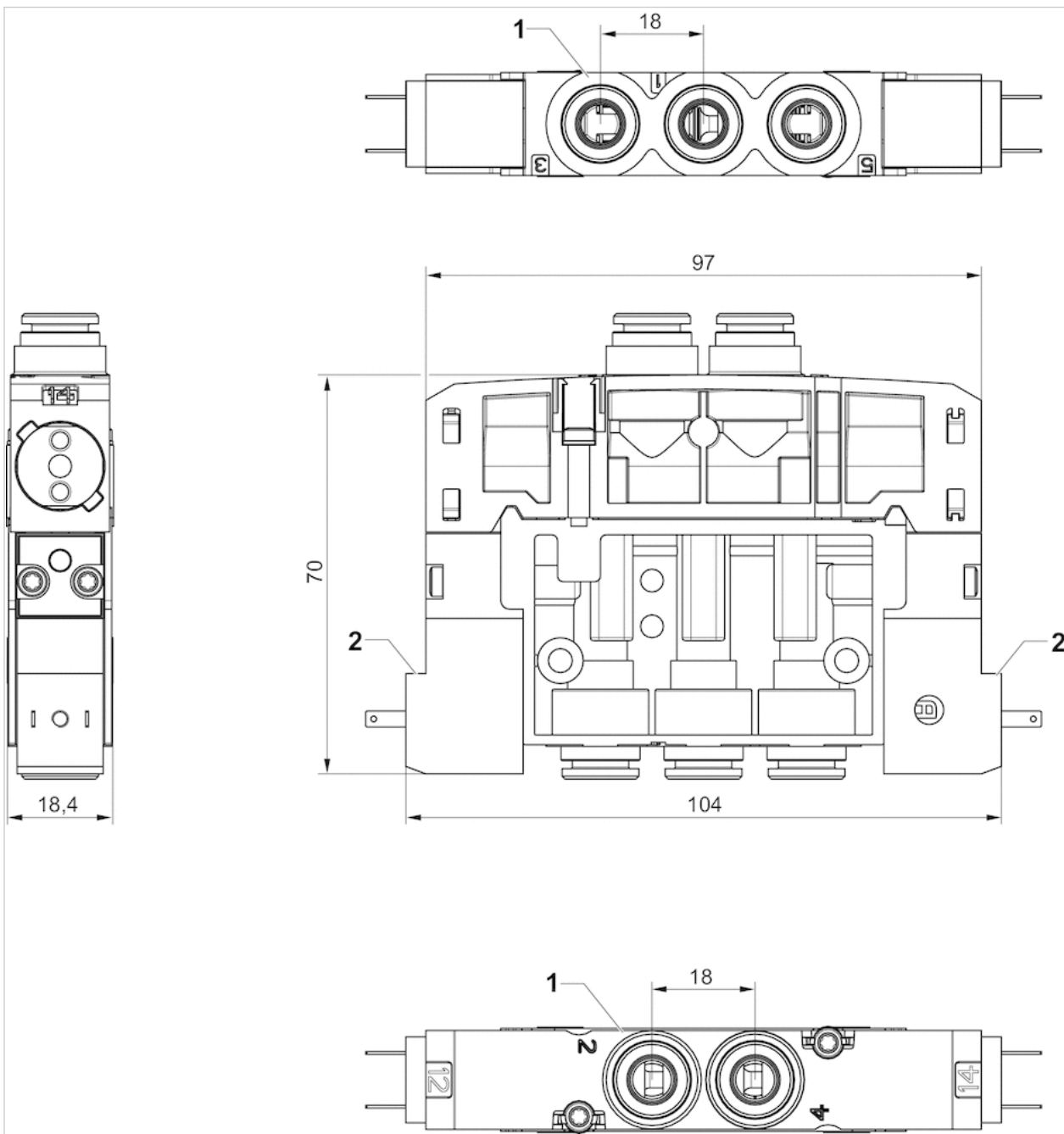
## Technical information

### Material

Housing	Polyamide, fiber-glass reinforced
Seals	Acrylonitrile butadiene rubber

## Dimensions

### Double solenoid



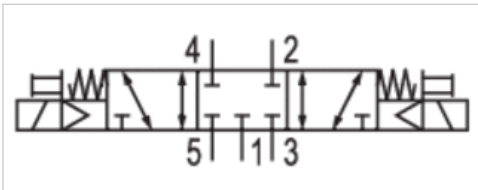
- 1) Connections [1, 3, 5, 2, 4] Ø 8
- 2) 2 pilot valves with external electrical connection

# 5/3-directional valve, Series ES05

- Qn = 500 l/min
- closed center
- Compressed air connection output : Ø 8
- Electrical connection : M8x1, 3-pin
- Manual override : without detent
- Double solenoid



Activation	Electrically
Working pressure min./max.	3 ... 8 bar
Ambient temperature min./max.	5 ... 50 °C
Medium temperature min./max.	5 ... 50 °C
Medium	Compressed air
Max. particle size	40 µm
Oil content of compressed air	0 ... 5 mg/m <sup>3</sup>
Nominal flow Qn	500 l/min
Protection class, with connection	IP65
LED status display	Yellow
Duty cycle	100 %



## Technical data

Part No.	Compressed air connection	
	Input	Output
R422103863	Ø 8	Ø 8

Part No.	Compressed air connection	Operational voltage	Voltage tolerance
	Exhaust	DC	DC
R422103863	Ø 8	24 V	-15% / +10%

Part No.	Power consumption	Switch-on time	Switch-off time
	DC		
R422103863	2 W	20	20

Nominal flow Qn at 6 bar and  $\Delta p = 1$  bar, MO = Manual override

## Technical information

The min. control pressure must be adhered to, since otherwise faulty switching and valve failure may result!  
 The pressure dew point must be at least 15 °C under ambient and medium temperature and may not exceed 3 °C .  
 The oil content of compressed air must remain constant during the life cycle.  
 Use only the approved oils from AVENTICS. Further information can be found in the "Technical information" document (available in the MediaCentre).

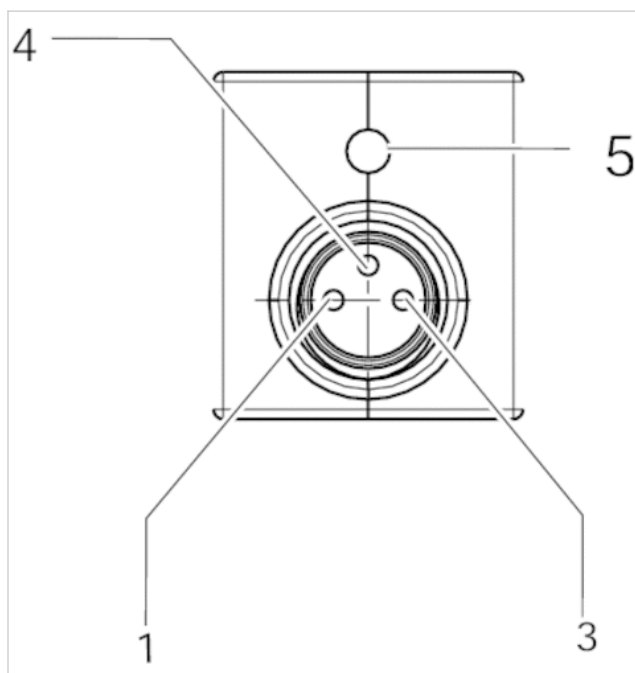
Exhaust air throttling may only be used in operating lines

## Technical information

### Material

Housing	Polyamide, fiber-glass reinforced
Seals	Acrylonitrile butadiene rubber

### PIN assignment for valve plug connectors

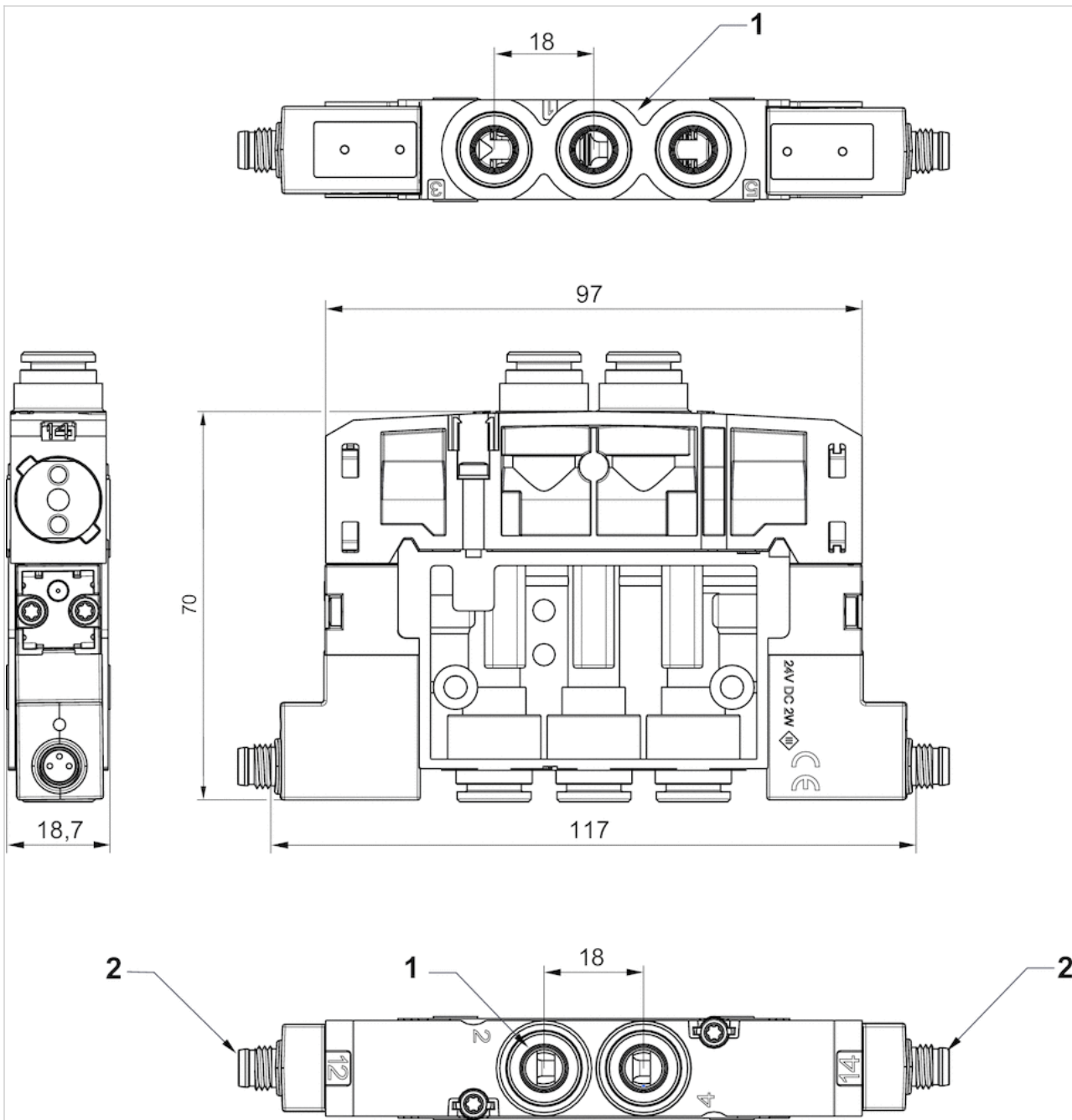


Pin assignment: 1) Pin not assigned 3) 0 V4) 24 V5) LED Note: Bi-polar protective circuit to prevent overvoltage



# Dimensions

## Double solenoid



- 1) Connections [1 ,3 ,5, 2, 4] Ø 8
- 2) 2 pilot valves with external electrical connection M8x1


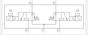
# 2x3/2-directional valve, Series ES05 - inch

- Qn = 370-500 l/min
- Compressed air connection output : Ø3/8
- Electrical connection : form C, industry
- Manual override : without detent
- single solenoid



Activation	Electrically
Ambient temperature min./max.	5 ... 50 °C
Medium temperature min./max.	5 ... 50 °C
Medium	Compressed air
Max. particle size	40 µm
Oil content of compressed air	0 ... 5 mg/m <sup>3</sup>
Nominal flow Qn	See table below
Protection class, with connection	IP65
Duty cycle	100 %

## Technical data

Part No.			Compressed air connection	
			Input	Output
R422103181		NC/NC	Ø3/8	Ø3/8
R422103182		NO/NO	Ø3/8	Ø3/8

Part No.	Compressed air connection		Operational voltage	Voltage tolerance
	Exhaust		DC	DC
R422103181	Ø3/8		24 V	-15% / +10%
R422103182	Ø3/8		24 V	-15% / +10%

Part No.	Power consumption		Nominal flow Qn	Switch-on time	Switch-off time
	DC				
R422103181	2 W		500 l/min	20	20
R422103182	2 W		370 l/min	20	20

Nominal flow Qn at 6 bar and  $\Delta p = 1$  bar

## Technical information

The min. control pressure must be adhered to, since otherwise faulty switching and valve failure may result!  
 The pressure dew point must be at least 15 °C under ambient and medium temperature and may not exceed 3 °C .  
 The oil content of compressed air must remain constant during the life cycle.  
 Use only the approved oils from AVENTICS. Further information can be found in the "Technical information" document (available in the MediaCentre).

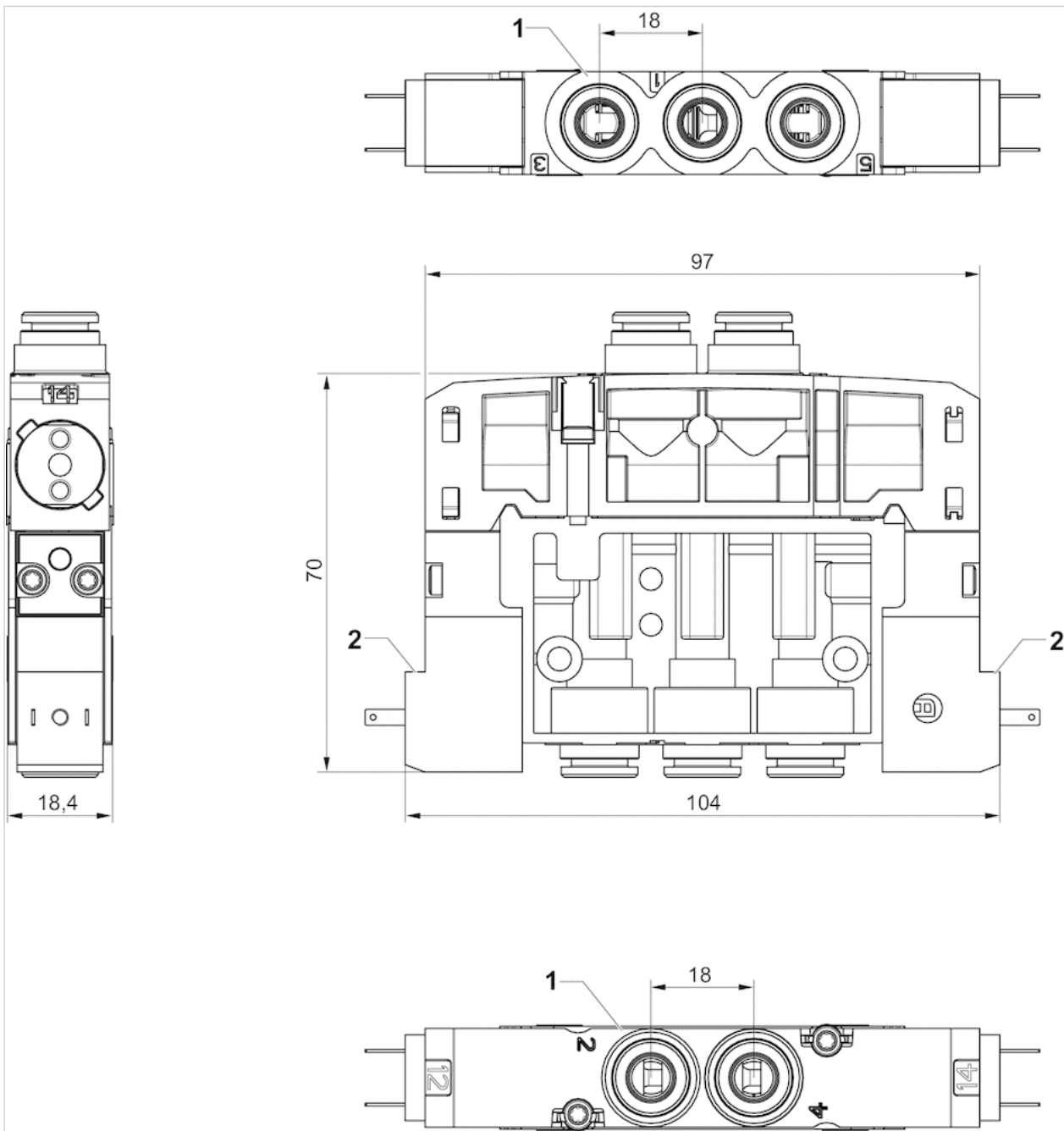
## Technical information

### Material

Housing	Polyamide, fiber-glass reinforced
Seals	Acrylonitrile butadiene rubber

## Dimensions

### Dimensions



- 1) Connections [ 1 ,3 ,5, 2, 4] Ø 3/8
- 2) 2 pilot valves with external electrical connection



# 2x3/2-directional valve, Series ES05 - inch

- Qn = 370-500 l/min
- Compressed air connection output : Ø3/8
- Electrical connection : M8x1, 3-pin
- Manual override : without detent
- single solenoid



Activation	Electrically
Ambient temperature min./max.	5 ... 50 °C
Medium temperature min./max.	5 ... 50 °C
Medium	Compressed air
Max. particle size	40 µm
Oil content of compressed air	0 ... 5 mg/m <sup>3</sup>
Nominal flow Qn	See table below
Protection class,with connection	IP65
Duty cycle	100 %

## Technical data

Part No.			Compressed air connection	
			Input	Output
R422103861		NC/NC	Ø3/8	Ø3/8
R422103862		NO/NO	Ø3/8	Ø3/8

Part No.	Compressed air connection		Operationalvoltage	Voltage tolerance
	Exhaust		DC	DC
R422103861	Ø3/8		24 V	-15% / +10%
R422103862	Ø3/8		24 V	-15% / +10%

Part No.	Power consumption		Nominal flow Qn	Switch-on time	Switch-off time
	DC				
R422103861	2 W		500 l/min	20	20
R422103862	2 W		370 l/min	20	20

Nominal flow Qn at 6 bar and  $\Delta p = 1$  bar

## Technical information

The min. control pressure must be adhered to, since otherwise faulty switching and valve failure may result!  
 The pressure dew point must be at least 15 °C under ambient and medium temperature and may not exceed 3 °C .  
 The oil content of compressed air must remain constant during the life cycle.  
 Use only the approved oils from AVENTICS. Further information can be found in the "Technical information" document (available in the MediaCentre).

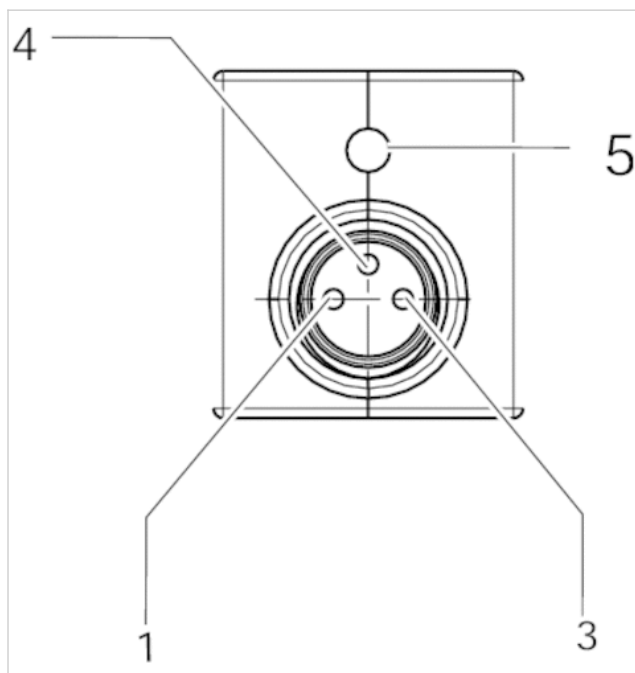
Exhaust air throttling may only be used in operating lines

## Technical information

### Material

Housing	Polyamide, fiber-glass reinforced
Seals	Acrylonitrile butadiene rubber

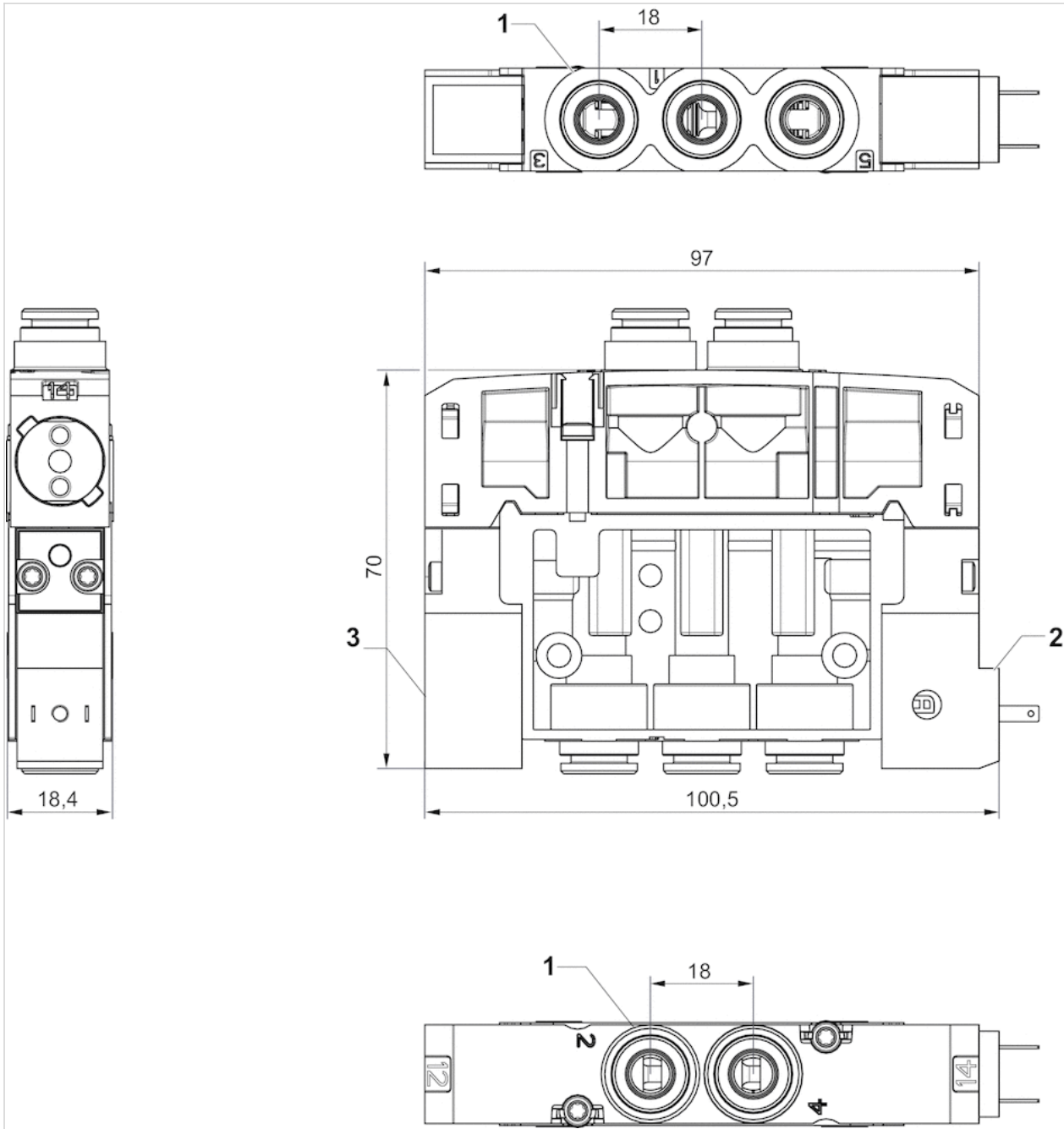
### PIN assignment for valve plug connectors



Pin assignment: 1) Pin not assigned 3) 0 V 4) 24 V 5) LED Note: Bi-polar protective circuit to prevent overvoltage

## Dimensions

### Dimensions



- 1) Connections [1 ,3 ,5, 2, 4] Ø 3/8
- 2) 1 pilot valve with electrical connection M8x1



# 5/2-directional valve, Series ES05 -inch

- Qn = 610 l/min
- Compressed air connection output : Ø3/8
- Electrical connection : form C, industry
- Manual override : without detent
- single solenoid, Double solenoid



Activation	Electrically
Working pressure min./max.	3 ... 8 bar
Ambient temperature min./max.	5 ... 50 °C
Medium temperature min./max.	5 ... 50 °C
Medium	Compressed air
Max. particle size	40 µm
Oil content of compressed air	0 ... 5 mg/m <sup>3</sup>
Nominal flow Qn	610 l/min
Protection class, with connection	IP65
Duty cycle	100 %

## Technical data

Part No.		Compressed air connection	
		Input	Output
R422103179		Ø3/8	Ø3/8
R422103180		Ø3/8	Ø3/8

Part No.	Compressed air connection		Operational voltage	
	Exhaust		DC	DC
R422103179	Ø3/8		24 V	-15% / +10%
R422103180	Ø3/8		24 V	-15% / +10%

Part No.	Power consumption		Switch-on time	Switch-off time	Fig.
	DC				
R422103179	2 W		20	35	Fig. 1
R422103180	2 W		20	20	Fig. 2

Nominal flow Qn at 6 bar and  $\Delta p = 1$  bar

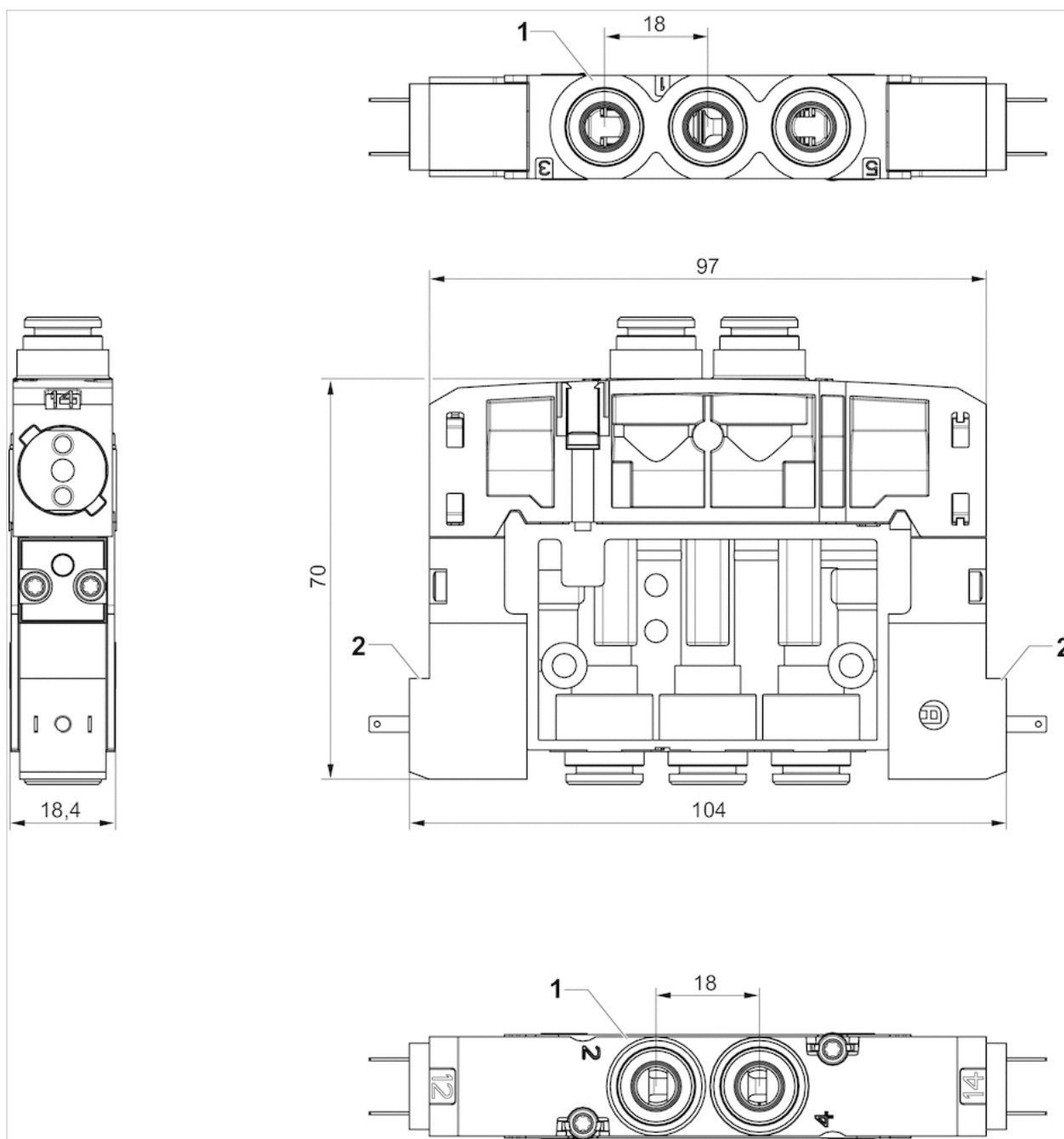
## Technical information

The min. control pressure must be adhered to, since otherwise faulty switching and valve failure may result!  
 The pressure dew point must be at least 15 °C under ambient and medium temperature and may not exceed 3 °C .  
 The oil content of compressed air must remain constant during the life cycle.

## Technical information

Material	
Housing	Polyamide, fiber-glass reinforced
Seals	Acrylonitrile butadiene rubber

Fig. 2 Double solenoid



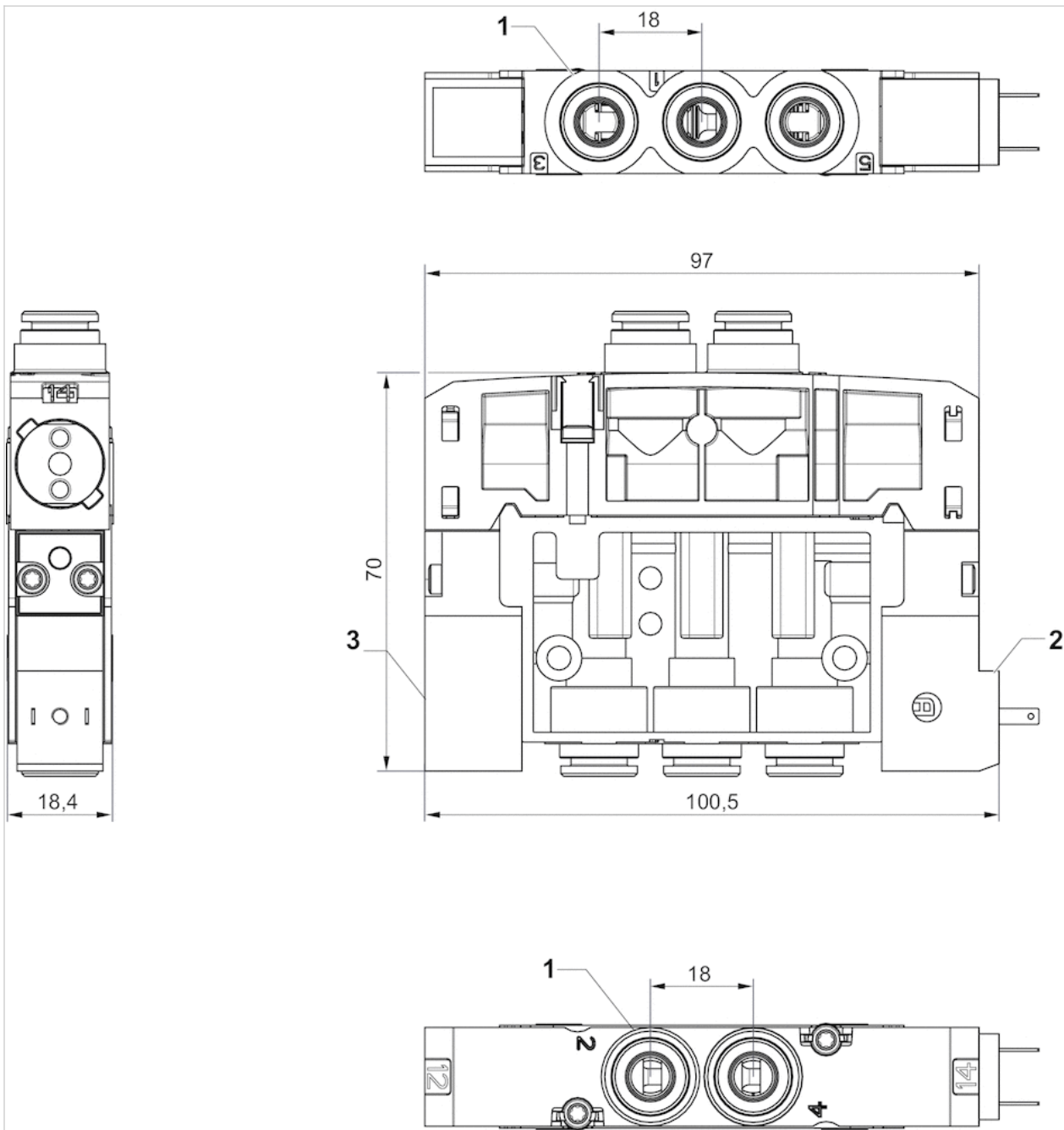
1) Connections [1 ,3 ,5, 2, 4] Ø 3/8

2) 2 pilot valves with external electrical connection



## Dimensions

Fig. 1 single solenoid



- 1) Connections [1 ,3 ,5, 2, 4] Ø 3/8
- 2) 1 pilot valve with electrical connection
- 3) Pilot blanking plate



# 5/2-directional valve, Series ES05 -inch

- Qn = 610 l/min
- Compressed air connection output : Ø3/8
- Electrical connection : M8x1, 3-pin
- Manual override : without detent
- single solenoid, Double solenoid



Activation	Electrically
Working pressure min./max.	3 ... 8 bar
Ambient temperature min./max.	5 ... 50 °C
Medium temperature min./max.	5 ... 50 °C
Medium	Compressed air
Max. particle size	40 µm
Oil content of compressed air	0 ... 5 mg/m <sup>3</sup>
Nominal flow Qn	610 l/min
Protection class, with connection	IP65
Duty cycle	100 %

## Technical data

Part No.		Compressed air connection	
		Input	Output
R422103859		Ø3/8	Ø3/8
R422103860		Ø3/8	Ø3/8

Part No.	Compressed air connection		Operational voltage	
	Exhaust		DC	DC
R422103859	Ø3/8		24 V	-15% / +10%
R422103860	Ø3/8		24 V	-15% / +10%

Part No.	Power consumption		Switch-on time	Switch-off time	Fig.
	DC				
R422103859	2 W		20	35	Fig. 1
R422103860	2 W		20	20	Fig. 2

Nominal flow Qn at 6 bar and  $\Delta p = 1$  bar

## Technical information

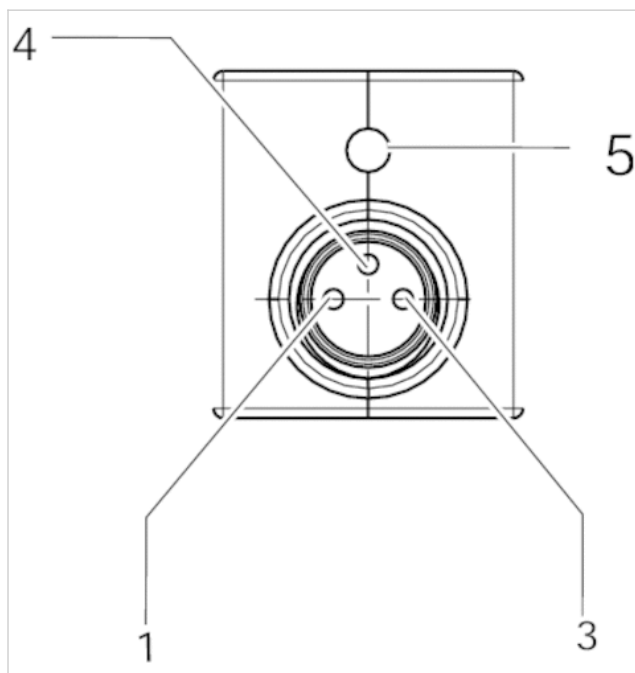
The min. control pressure must be adhered to, since otherwise faulty switching and valve failure may result!  
 The pressure dew point must be at least 15 °C under ambient and medium temperature and may not exceed 3 °C .  
 The oil content of compressed air must remain constant during the life cycle.  
 Exhaust air throttling may only be used in operating lines

## Technical information

### Material

Housing	Polyamide, fiber-glass reinforced
Seals	Acrylonitrile butadiene rubber

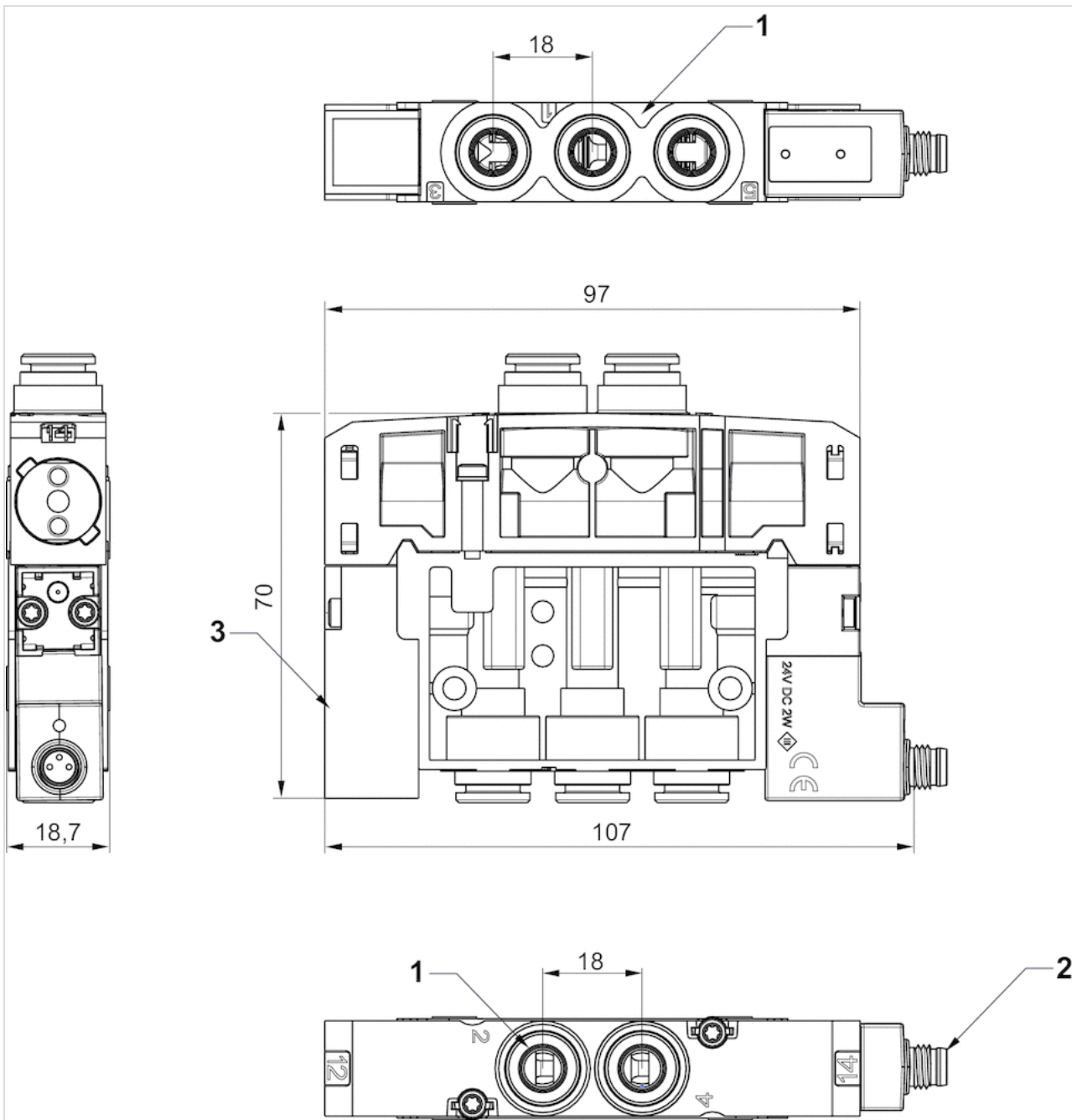
### PIN assignment for valve plug connectors



Pin assignment: 1) Pin not assigned 3) 0 V 4) 24 V 5) LED Note: Bi-polar protective circuit to prevent overvoltage

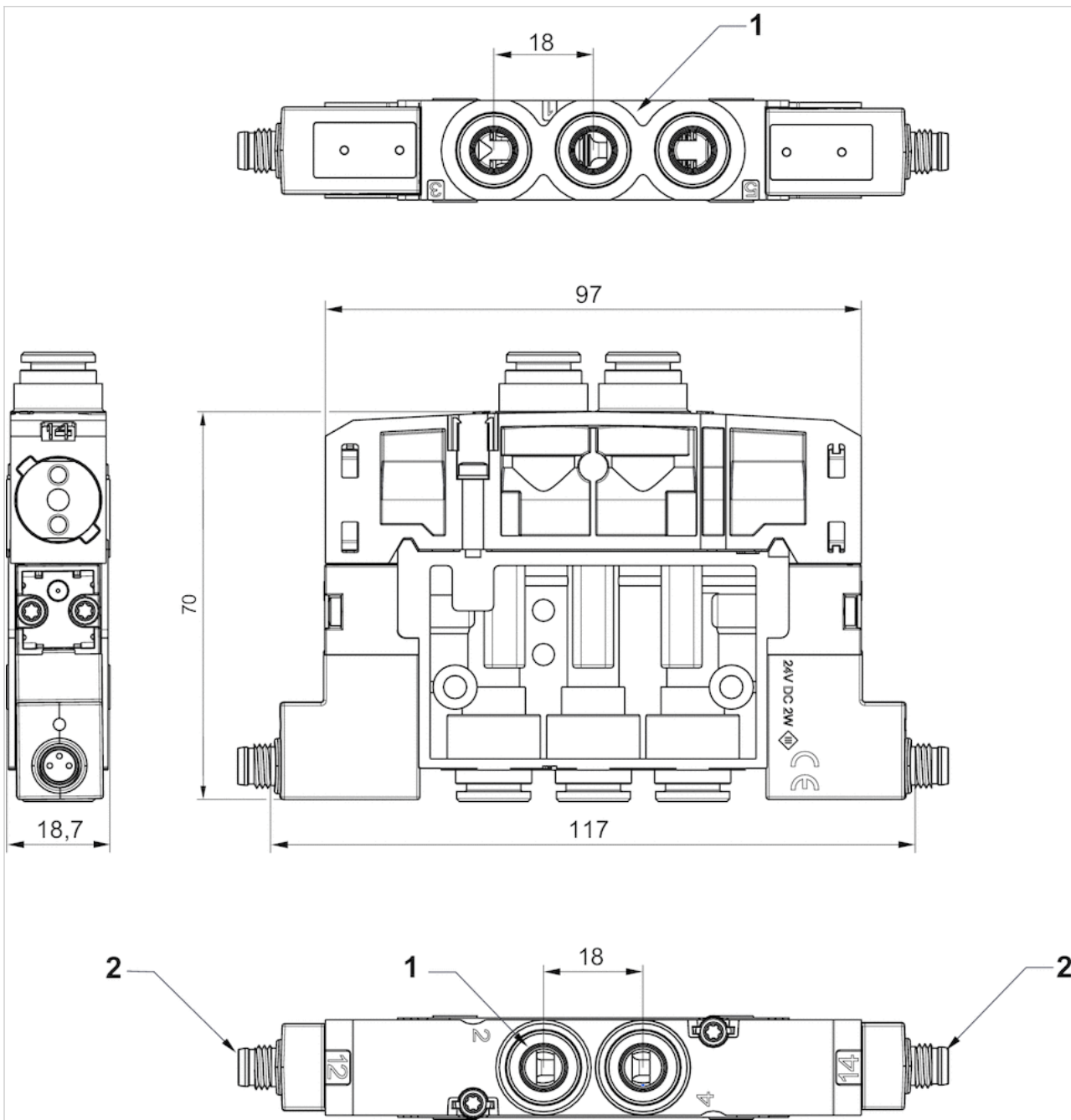
## Dimensions

Fig. 1 single solenoid



- 1) Connections [1 ,3 ,5, 2, 4] Ø 3/8
- 2) 2 pilot valves with external electrical connection M8x1
- 3) Pilot blanking plate

Fig. 2 Double solenoid



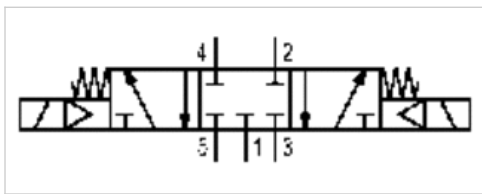
- 1) Connections [1 ,3 ,5, 2, 4] Ø 3/8
- 2) 2 pilot valves with external electrical connection M8x1

# 5/3-directional valve, Series ES05 -inch

- Qn = 500 l/min
- Compressed air connection output : Ø3/8
- Electrical connection : form C, industry
- Double solenoid



Activation	Electrically
Working pressure min./max.	3 ... 8 bar
Ambient temperature min./max.	5 ... 50 °C
Medium temperature min./max.	5 ... 50 °C
Medium	Compressed air
Max. particle size	40 µm
Oil content of compressed air	0 ... 5 mg/m³
Nominal flow Qn	500 l/min
Protection class,with connection	IP65
LED status display	Yellow
Duty cycle	100 %



## Technical data

Part No.	Compressed air connection	
	Input	Output
R422103184	Ø3/8	Ø3/8

Part No.	Compressed air connection	Operationalvoltage	Voltage tolerance
	Exhaust	DC	DC
R422103184	Ø3/8	24 V	-15% / +10%

Part No.	Power consumption
	DC
R422103184	2 W

Nominal flow Qn at 6 bar and Δp = 1 bar

## Technical information

The min. control pressure must be adhered to, since otherwise faulty switching and valve failure may result!  
 The pressure dew point must be at least 15 °C under ambient and medium temperature and may not exceed 3 °C .  
 The oil content of compressed air must remain constant during the life cycle.  
 Use only the approved oils from AVENTICS. Further information can be found in the "Technical information" document (available in the MediaCentre).

Exhaust air throttling may only be used in operating lines

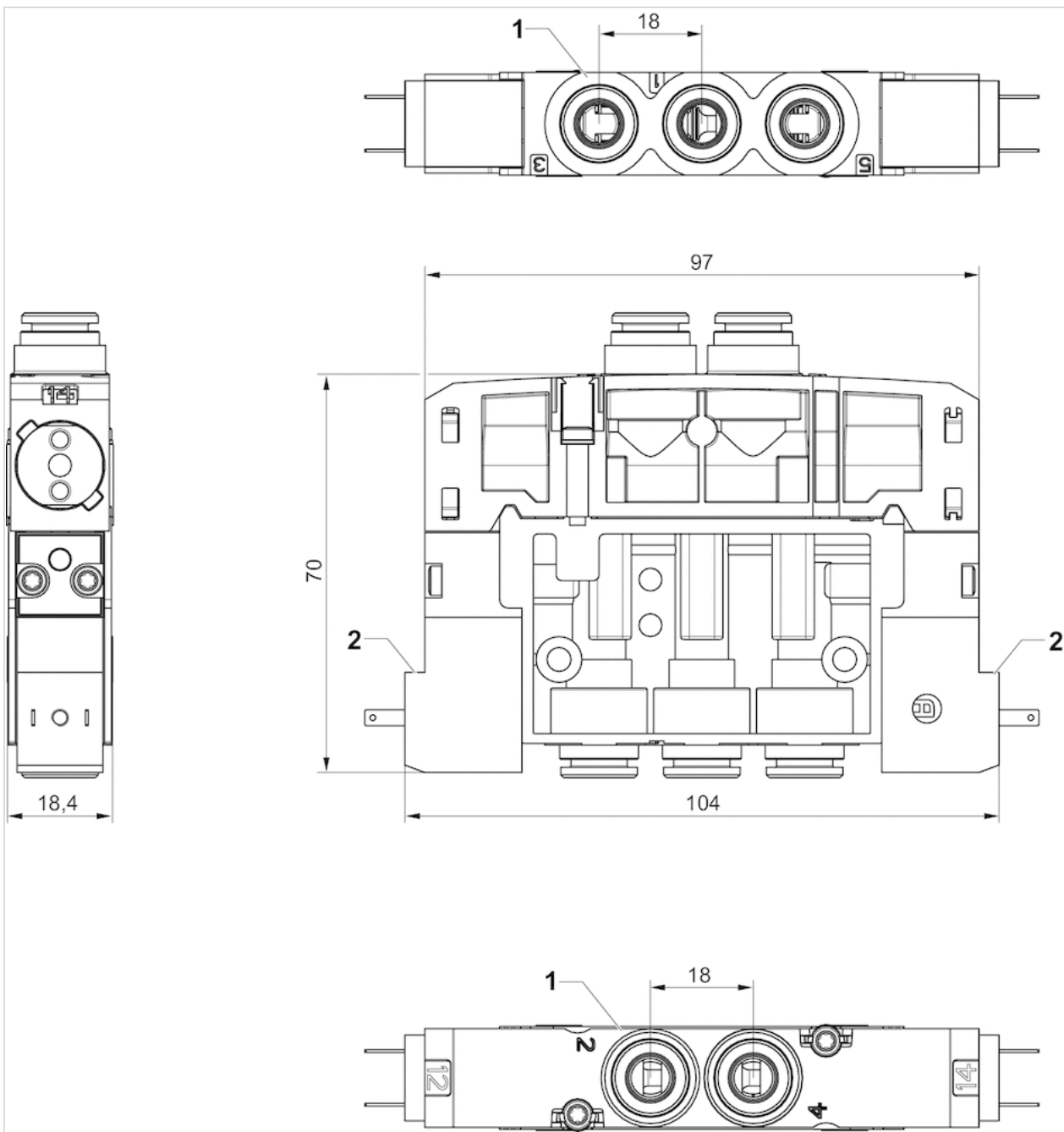
## Technical information

### Material

Housing	Polyamide, fiber-glass reinforced
Seals	Acrylonitrile butadiene rubber

## Dimensions

### Double solenoid



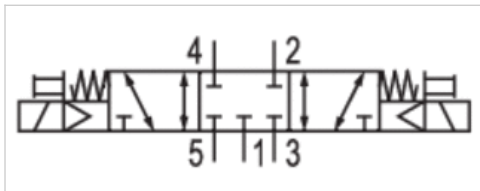
- 1) Connections [1, 3, 5, 2, 4] Ø 3/8
- 2) 2 pilot valves with external electrical connection

# 5/3-directional valve, Series ES05 -inch

- Qn = 500 l/min
- Compressed air connection output : Ø3/8
- Electrical connection : M8x1, 3-pin
- Manual override : without detent
- Double solenoid



Activation	Electrically
Working pressure min./max.	3 ... 8 bar
Ambient temperature min./max.	5 ... 50 °C
Medium temperature min./max.	5 ... 50 °C
Medium	Compressed air
Max. particle size	40 µm
Oil content of compressed air	0 ... 5 mg/m <sup>3</sup>
Nominal flow Qn	500 l/min
Protection class, with connection	IP65
LED status display	Yellow
Duty cycle	100 %



## Technical data

Part No.	Compressed air connection	
	Input	Output
R422103864	Ø3/8	Ø3/8

Part No.	Compressed air connection		Operational voltage	Voltage tolerance
	Exhaust			
R422103864	Ø3/8		DC 24 V	DC -10% / +15%

Part No.	Power consumption		Switch-on time	Switch-off time
	DC			
R422103864	2 W		20	20

Nominal flow Qn at 6 bar and  $\Delta p = 1$  bar, MO = Manual override

## Technical information

The min. control pressure must be adhered to, since otherwise faulty switching and valve failure may result!  
 The pressure dew point must be at least 15 °C under ambient and medium temperature and may not exceed 3 °C .  
 The oil content of compressed air must remain constant during the life cycle.  
 Use only the approved oils from AVENTICS. Further information can be found in the "Technical information" document (available in the MediaCentre).

Exhaust air throttling may only be used in operating lines

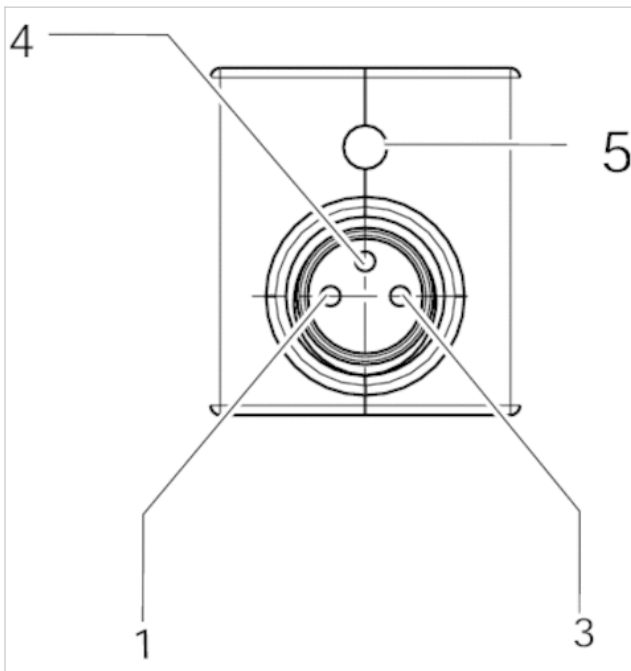


## Technical information

### Material

Housing	Polyamide, fiber-glass reinforced
Seals	Acrylonitrile butadiene rubber

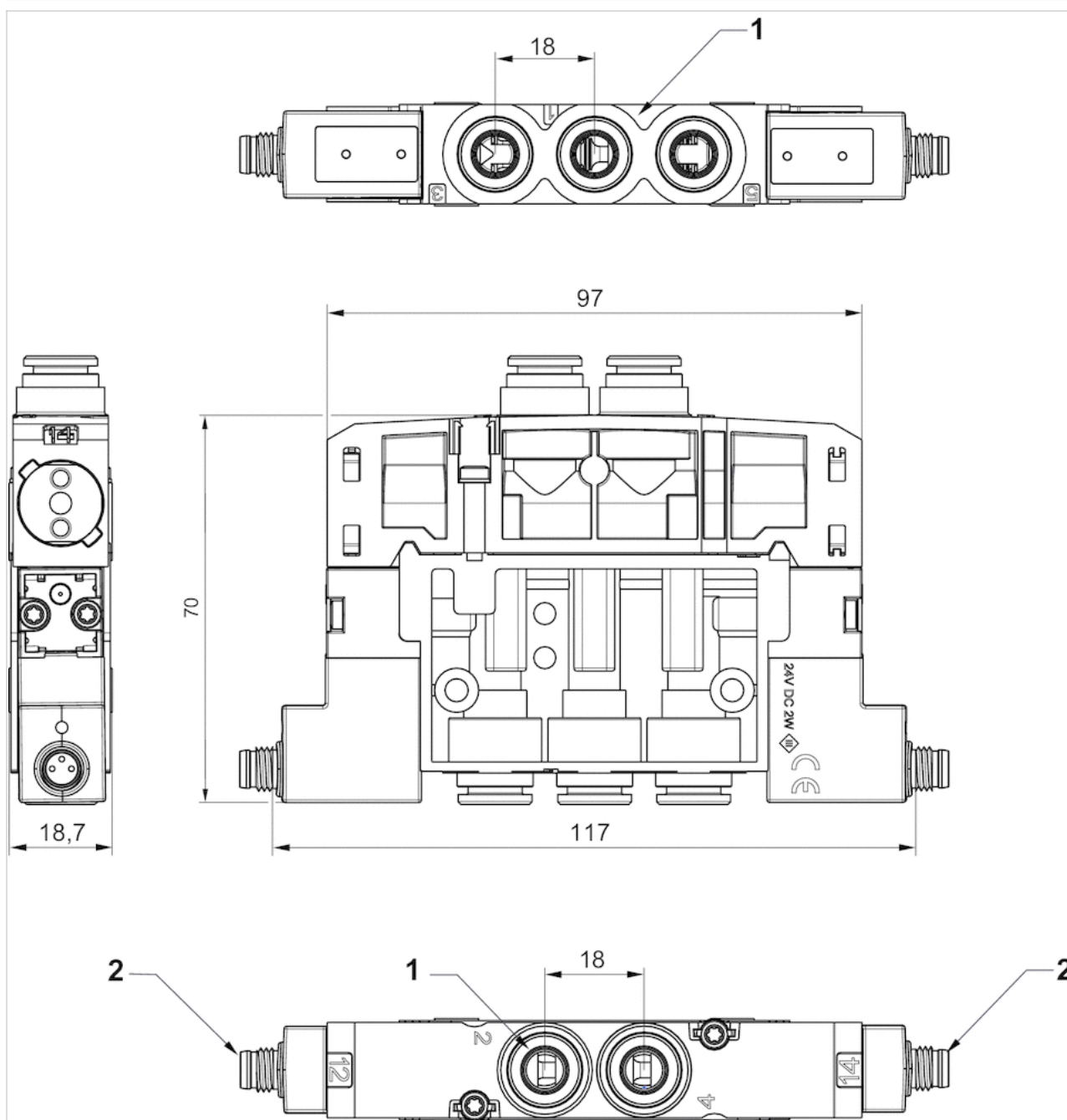
### PIN assignment for valve plug connectors



Pin assignment: 1) Pin not assigned 3) 0 V4) 24 V5) LED Note: Bi-polar protective circuit to prevent overvoltage

## Dimensions

### Dimensions Double solenoid



1) Connections [1 ,3 ,5, 2, 4] Ø 3/8

2) 2 pilot valves with external electrical connection M8x1

# Valve plug connector, series CON-VP

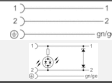
- Socket, 2+E, angled, 90°, Socket, form C, industry, 2+E, angled, 90°
- Industry standard
- unshielded
- with LED Yellow



Connection type	Screws
Ambient temperature min./max.	-20 ... 80 °C
Operationalvoltage	See table below
Protection class	IP65
Mounting screw tightening torque	0,4 Nm
Weight	See table below

## Technical data

Part No.	Electrical connection
1834484050	Socket, 2+E, angled, 90°
4402030330	Socket, form C, industry, 2+E, angled, 90°



Part No.	Operationalvoltage	Max. current	Protective circuit	Contact assignment	LED status display
1834484050	110 V, DC	6 A	-	2+E	-
4402030330	24 V, AC/DC	6 A	Z-diode	2+E	Yellow

Part No.	suitable cable-Ø min./max	Seal	Weight	Fig.	
1834484050	4 / 6 mm	caoutchouc/butadiene caoutchouc	0,12 kg	Fig. 1	1)
4402030330	4 / 6 mm	-	0,012 kg	Fig. 2	-

1) Scope of delivery incl. flat gasket

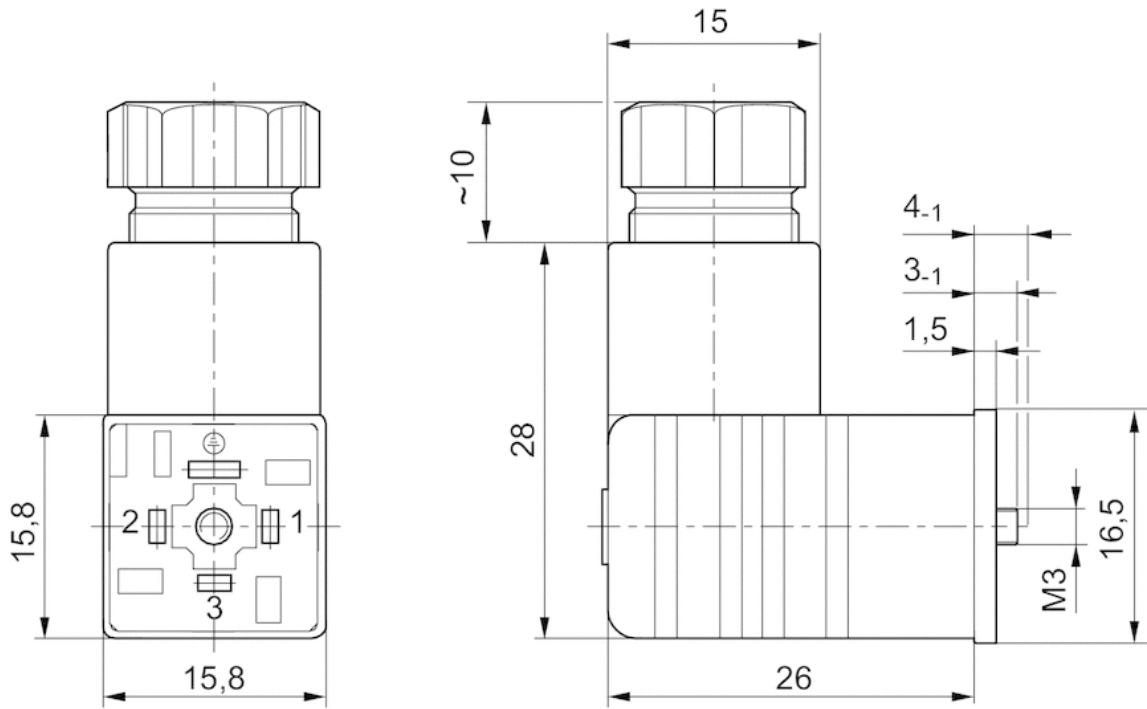
## Technical information

The specified protection class is only valid in assembled and tested state.

## Technical information

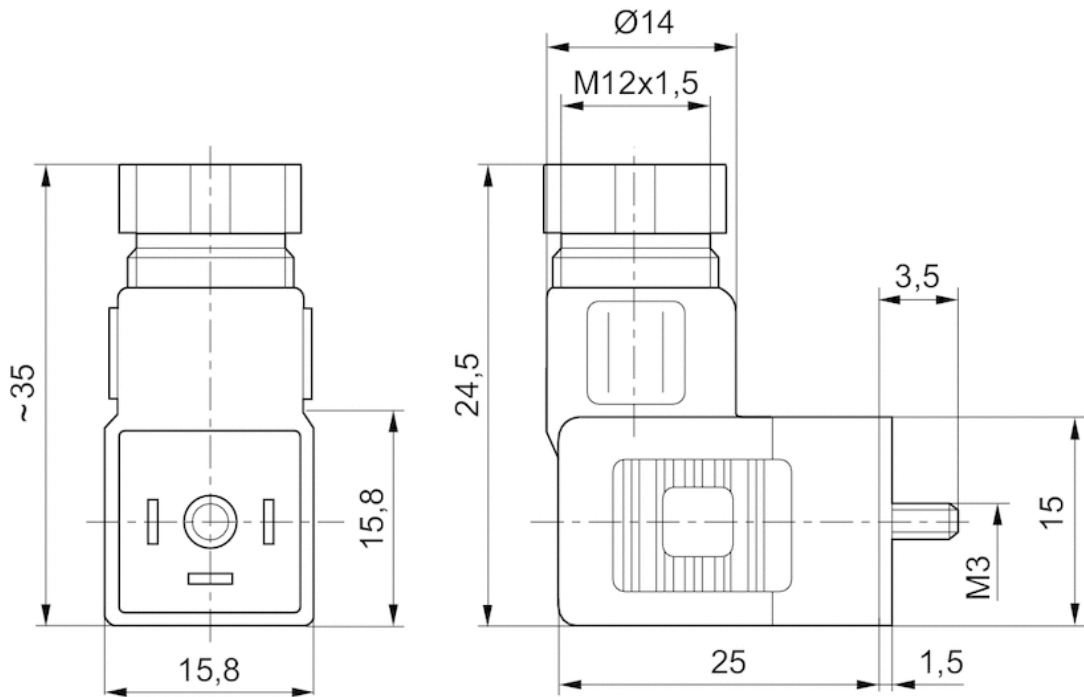
Material	
Seals	caoutchouc/butadiene caoutchouc

Fig. 2



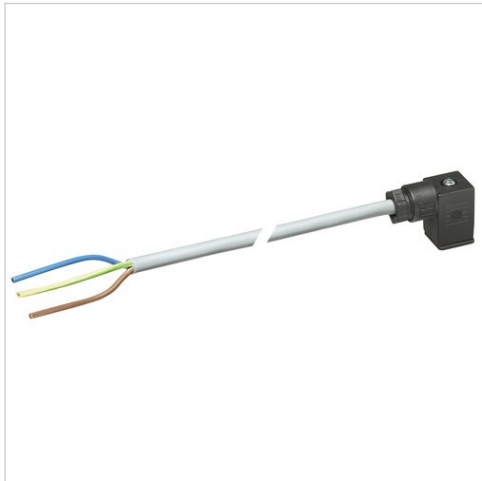
Dimensions

Fig. 1

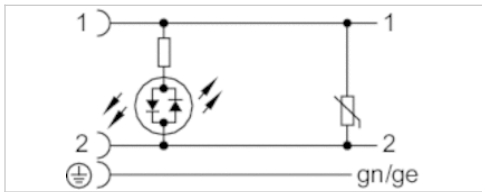


# Valve plug connector, series CON-VP

- Socket, form C, industry, 4-pin, angled, 90°
- open cable ends, 3-pin
- with cable
- unshielded



Ambient temperature min./max.	-25 ... 90 °C
Operational voltage	24 V, AC/DC
Protection class	IP65
Protective circuit	Varistor
Wire cross-section	0,5 mm <sup>2</sup>
Mounting screw tightening torque	0,4 Nm
Weight	See table below



## Technical data

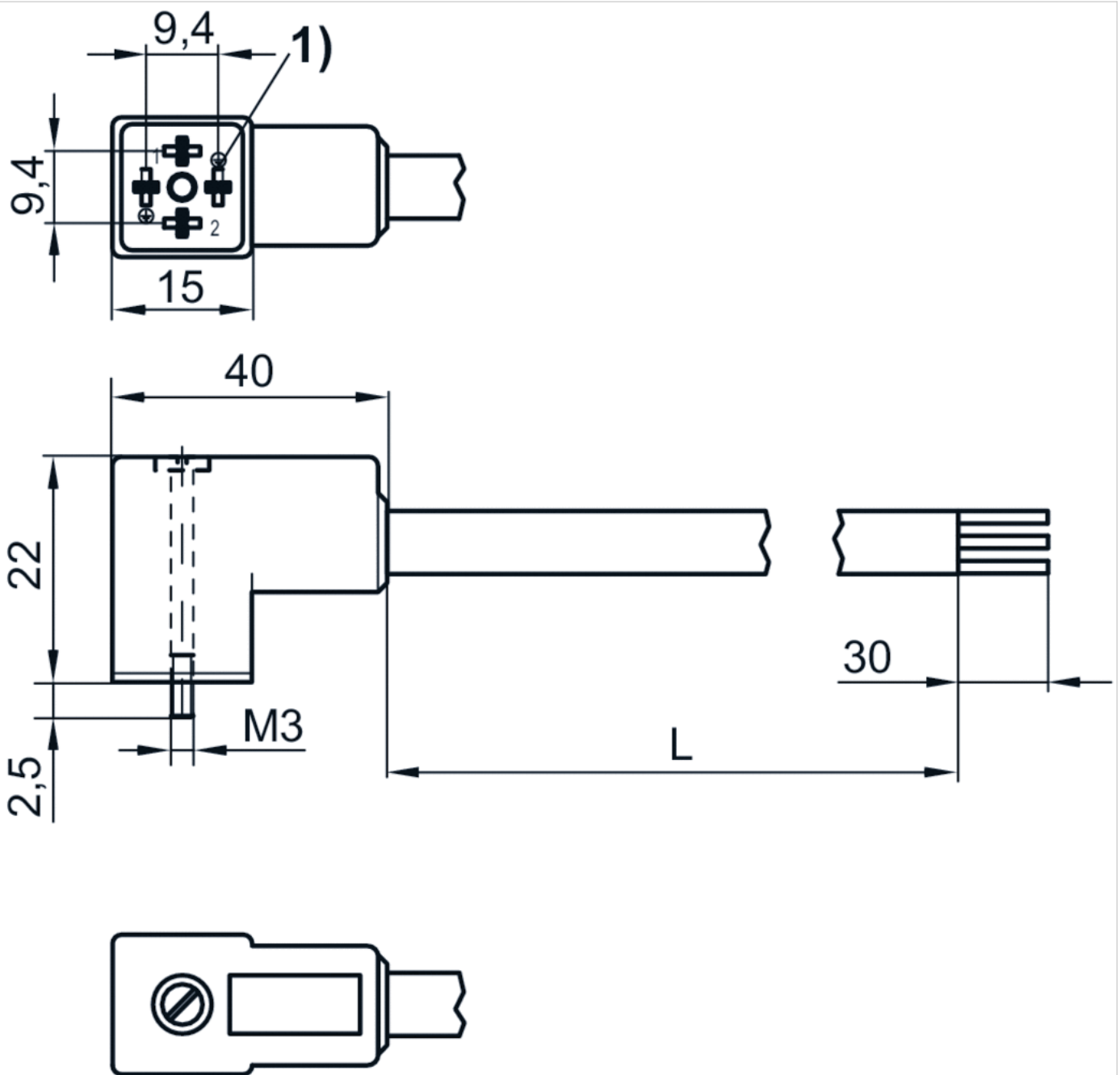
Part No.	Max. current	Contact assignment	LED status display	Number of wires	Cable length	Weight
R412024833	1,5 A	2+E	Yellow	3	3 m	0,137 kg
R412024834	1,5 A	2+E	Yellow	3	5 m	0,21 kg
R412024835	1,5 A	2+E	Yellow	3	10 m	0,42 kg

## Technical information

Material	
Housing	Polyamide
Seals	caoutchouc/butadiene caoutchouc
Cable sheath	Polyvinyl chloride

Dimensions

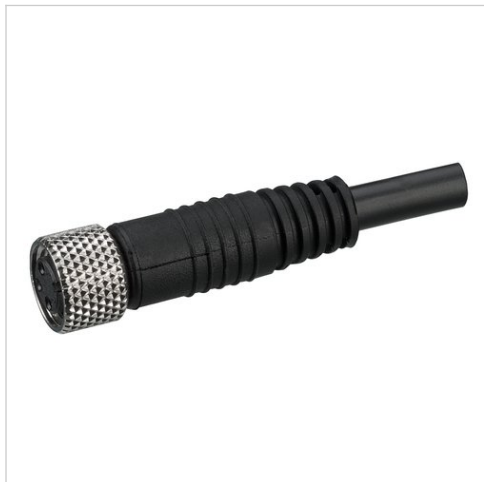
Dimensions



1) Coding pin  
L = length

# Round plug connector, Series CON-RD

- Socket, M8x1, 3-pin, A-coded, straight, 180°
- open cable ends
- with cable
- UL (Underwriters Laboratories)
- unshielded



Ambient temperature min./max.	-25 ... 85 °C
Operational voltage	48 V, AC/DC
Protection class	IP67
Wire cross-section	0,24 mm <sup>2</sup>
Weight	See table below

## Technical data

Part No.	Max. current	Number of wires	Cable-Ø	Cable length	Certification	Weight
1834484166	4 A	3	4,5 mm	3 m	UL (Underwriters Laboratories)	0,087 kg
1834484168	4 A	3	4,5 mm	5 m	UL (Underwriters Laboratories)	0,141 kg
1834484247	4 A	3	4,5 mm	10 m	UL (Underwriters Laboratories)	0,277 kg

## Technical information

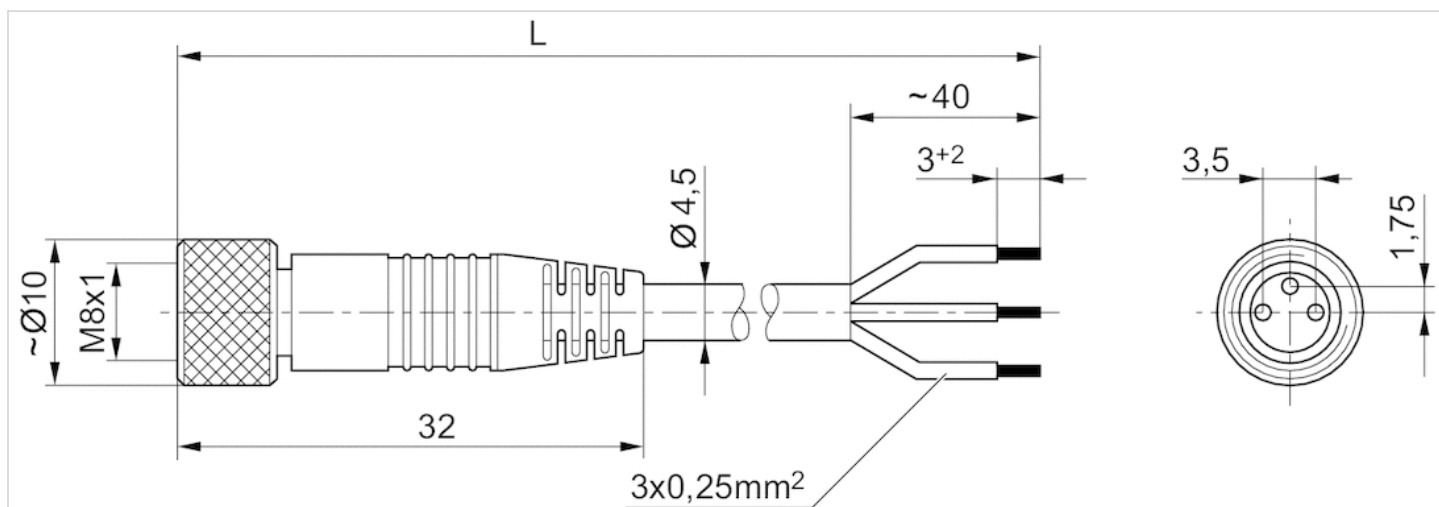
The specified protection class is only valid in assembled and tested state.

## Technical information

Material	
Housing	Polyurethane
Cable sheath	Polyurethane

## Dimensions

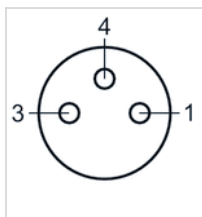
### Dimensions



$L$  = length

## Pin assignments

### Pin assignment socket



(1) BN=brown(3) BU=blue(4) BK=black