

Adapter, Series ACP

- Suction cup accessories



Weight

See table below

Technical data

Part No.	Port G	Weight
2738405050	M5	0,009 kg
2738418040	G 1/8	0,028 kg
2738418060	G 1/8	0,032 kg
2738418080	G 1/8	0,03 kg
2738414100	G 1/4	0,045 kg

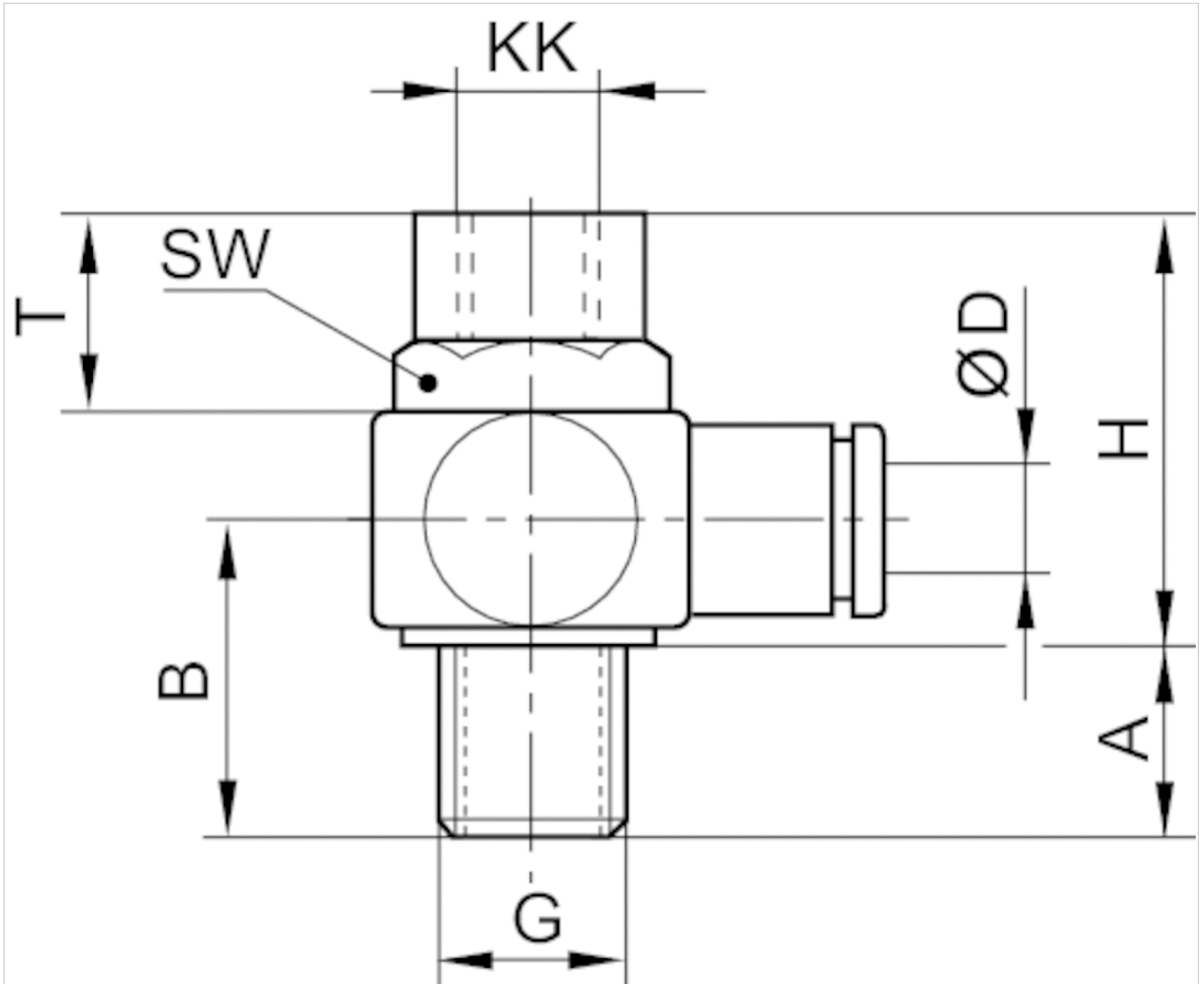
Technical information

The adapter is designed for mounting a suction cup directly on a piston rod. The pipe connection, D, is located at the side.

Technical information

Material	
Housing	Polyamide

Dimensions



KK = piston rod thread
 G = Suction cups - Connection thread

Dimensions

Part No.	G	KK	Ø D	A	B	H	T	SW	Material
2738405050	M5	M5	4	4,5	10,5	21	5,5	8	Polyamide
2738418040	G 1/8	M4	6	5,5	14,5	30	8	14	Polyamide
2738418060	G 1/8	M6	6	5,5	14,5	30	8	14	Polyamide
2738418080	G 1/8	M8	6	5,5	14,5	30	8	14	Polyamide
2738414100	G 1/4	M10x1,25	8	8,5	17,5	31	10	17	Polyamide

KK = piston rod thread
 G = Suction cups - Connection thread

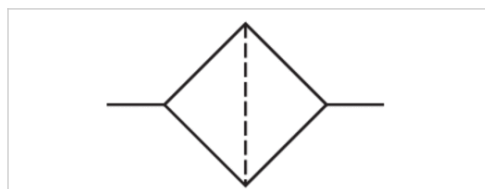
Vacuum filter Inline, Series VFI

- G 1/8, G 1/4, G 3/8, G 1/2



Version
Medium
Weight

Vacuum filter
Compressed air
See table below



Technical data

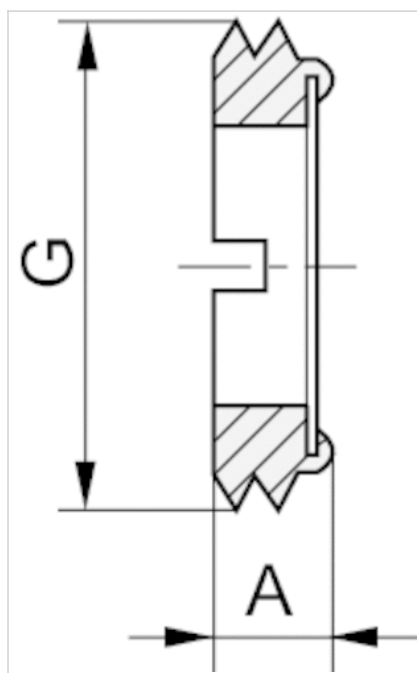
Part No.	Port	Weight
2737000180	G 1/8	0,002 kg
2737000140	G 1/4	0,005 kg
2737000380	G 3/8	0,009 kg
2737000120	G 1/2	0,009 kg

Technical information

Material	
Housing	Brass
Filter insert	tin bronze

Dimensions

Dimensions



Dimensions

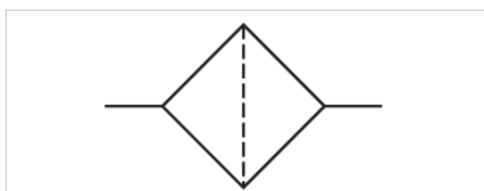
Part No.	Port G	A
2737000180	G 1/8	3.5
2737000140	G 1/4	5
2737000380	G 3/8	5
2737000120	G 1/2	5

Vacuum filter Inline, Series VFI

- filter porosity 50 µm



Version	Vacuum filter
Ambient temperature min./max.	0 ... 50 °C
Medium	Compressed air
Filter element	exchangeable
filter porosity	50 µm
Mounting	installing in piping
max. overpressure at 25° C	7 bar
max. overpressure at 50°C	5 bar
Max. vacuum level at p.opt	99 %
Weight	See table below



Technical data

Part No.	Type	External Ø	Internal Ø	Qn	Weight
R412010112	VFI-6/4	6 mm	4 mm	32 l/min	0,007 kg
R412010113	VFI-8/6	8 mm	6 mm	66 l/min	0,012 kg

Nominal flow at $\Delta p = 40$ mbar

Technical information

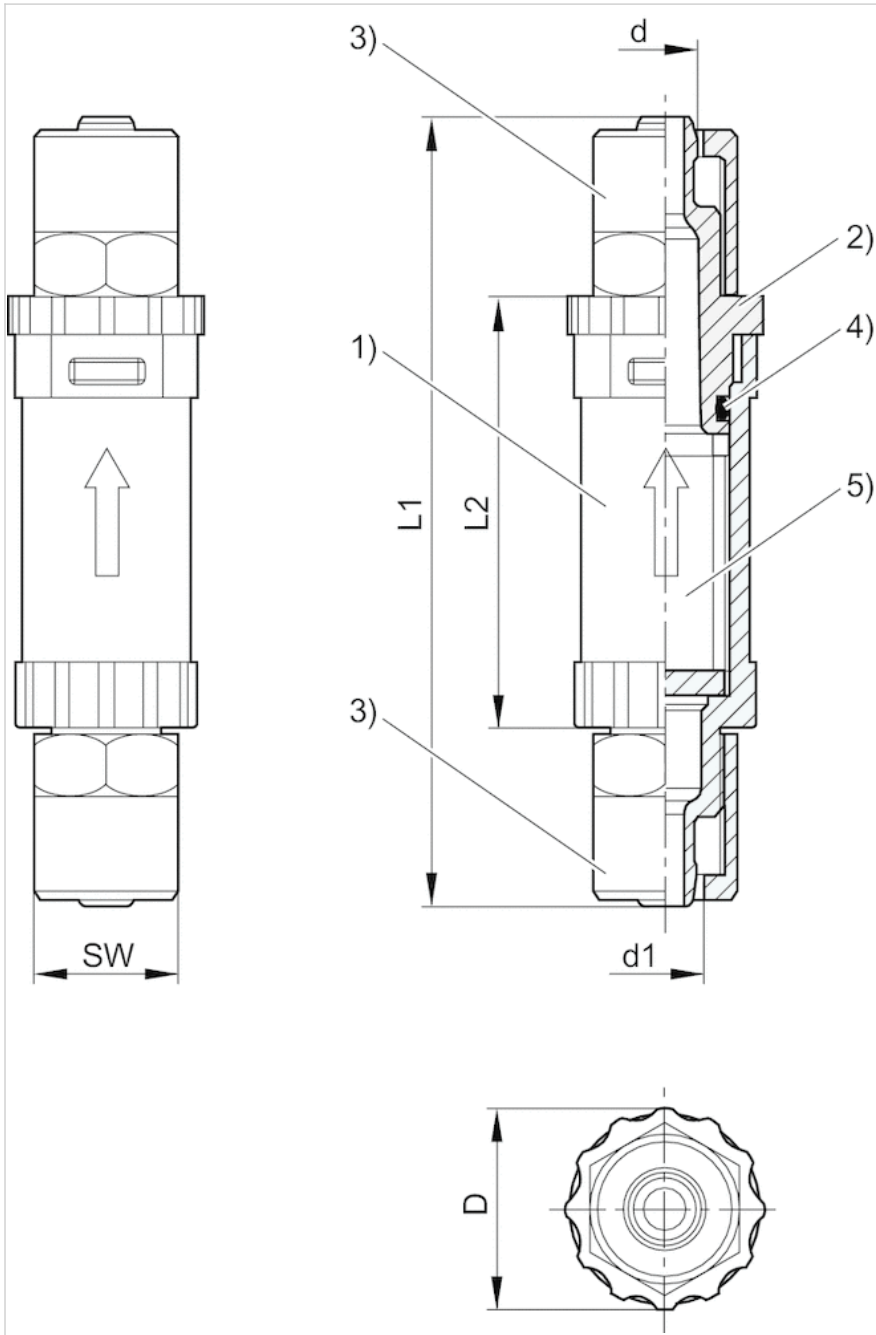
suitable connections: plastic tubing made of polyurethane and polyethylene

Technical information

Material	
Housing	Polyamide
Seals	Acrylonitrile butadiene rubber
Filter insert	Polypropylene, Polyamide

Dimensions

Dimensions



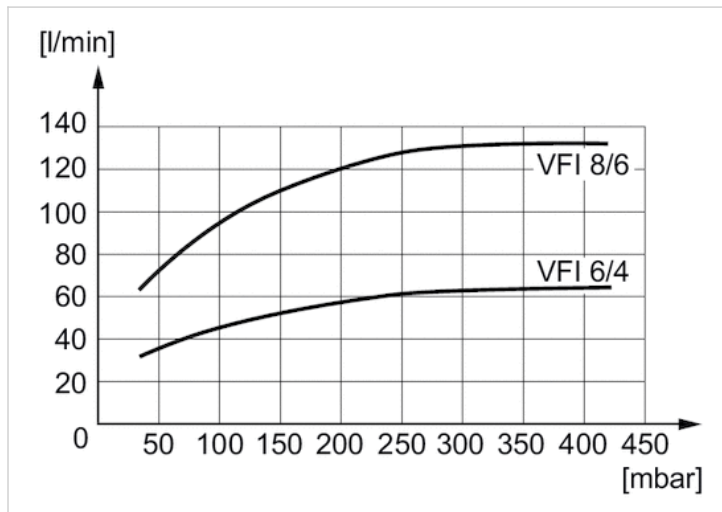
- 1) "transparent inline filter housing "
- 2) filter cover with bayonet catch
- 3) tube nut
- 4) O-ring
- 5) Filter

Dimensions

Part No.	Type	External Ø	Internal Ø	d	d1	D	L1	L2	SW
R412010112	VFI-6/4	6 mm	4 mm	4	6.2	16	62	34	12
R412010113	VFI-8/6	8 mm	6 mm	6	8.2	23	70	41	14

Diagrams

characteristics (flow volume)



replacement filter, Series VFI

- for Vacuum filter Inline

- filter porosity 50 µm



Version

Ambient temperature min./max.

Medium

filter porosity

Weight

Vacuum filter

0 ... 50 °C

Compressed air

50 µm

See table below

Technical data

Part No.	Type	Weight
R412010114	VFI-6/4	0,004 kg
R412010115	VFI-8/6	0,005 kg

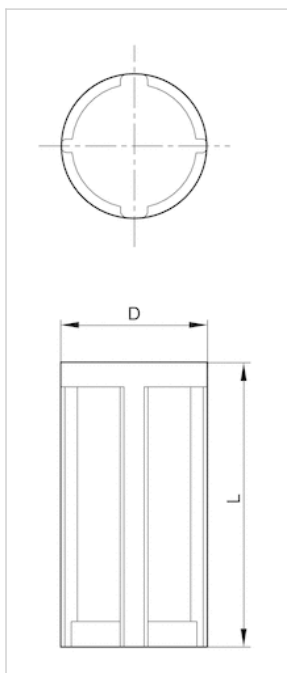
Technical information

Material

Filter insert	Polypropylene, Polyamide
---------------	--------------------------

Dimensions

Dimensions

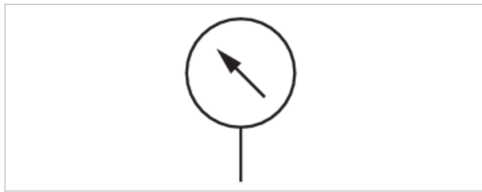


Dimensions

Part No.	Type	D	L
R412010114	VFI-6/4	10.4	20.5
R412010115	VFI-8/6	16.2	22.5

Pressure gauge, Series PG1-SNL

- Back port
- Background color Black
- Scale color Green, White
- Viewing window Polystyrene
- Units bar
- Units psi
- suitable for ATEX



Version	Bourdon tube pressure gauge
Seal	Axial
Standardization	EN 837-1
Class	1,6
Ambient temperature min./max.	-40 ... 60 °C
Medium	Compressed air
Main scale unit (outside)	bar
Main scale color (outside)	Green
Secondary scale unit (inside)	psi
Secondary scale color (inside)	White
Background color	Black
Pointer color	White
Weight	0,06 kg

Technical data

Part No.	Compressed air connection	Nominal diameter	Range of application	Display range	Operating pressure	Scale value
1827231053	G 1/8	40 mm	-0,8 ... 0	-1 ... 0	-1 ... 0 bar	0,1

Order seal 1829202004 separately

Technical information

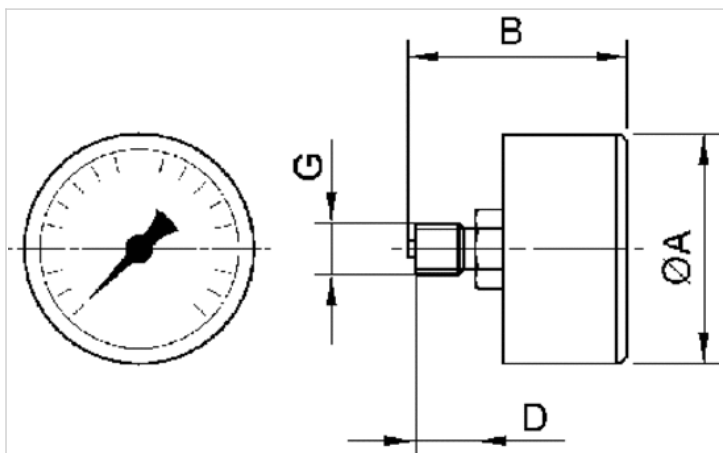
Order axial seal separately

Technical information

Material	
Housing	Acrylonitrile butadiene styrene
Thread	Brass
Viewing window	Polystyrene

Dimensions

Dimensions



Dimensions in mm

G	Nominal diameter	Ø A	B	D
G 1/8	40 mm	39	44	10

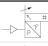
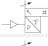

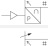


Pressure sensor, Series PE5

- Operating pressure -1 ... 0 bar
- electronic
- Output signal analog 4 ... 20 mA
- Output signal digital 2 outputs, 1 output
- IO-Link
- Electr. connection Plug, M12x1, 4-pin
- Compressed air connection Internal thread, G 1/4, push-in fitting, Ø 4



Type	electronic
Certificates	CE declaration of conformity, cULus, RoHS, Conforms with REACH, Free of substances that impair surface wetting in the coating process
Ambient temperature min./max.	0 ... 60 °C
Medium temperature min./max.	0 ... 60 °C
Medium	Compressed air (max. 40 µm)
Max. oil content of compressed air	40 mg/m ³
Measurement	Relative pressure
Display	LCD display, 4 digits, Color setting: green or red
Units displayed	bar, psi, kPa, MPa, inHg
Switching logic	NO/NC (adjustable)
Protection against overpressure	5 bar
Shock resistance max.	30 g
Vibration resistance	5 g (10 - 150 Hz)
Precision (% of full scale value)	±1.5% in temperature range of 10 - 30°C, ± 2 % including temperature drift
Repeatability (% of full scale value)	± 0,2 %
Switching time	5 ms
Switching point	adjustable 0 ... 100%
Resetting point	adjustable 0 ... 100%
Hysteresis	adjustable
Delayed hysteresis	adjustable
Window function	adjustable
DC operating voltage,min./max.	17 ... 30 V DC
Analog output	0 - 10 V DC, 4 - 20 mA
Quiescent current consumption	40 mA
Analog output linearity	± 0.5% of the final value
Maximum load (analog current output)	600 Ω
Short circuit resistance	Max. 600 ohms (current output), Min. 3K ohms (voltage output)
Mounting types	Directly on hat rail and wall mounting, For panel installation using mounting kit, via double nipple
Protection class	IP65, IP67 with connections assembled
Electr. connection	Plug, M12x1, 4-pin
Weight	0,04 kg

Technical data

Part No.		Operating pressure range	Output signal
		min./max.	Analog
R412010761		-1 ... 0 bar	-
R412010760		-1 ... 0 bar	-
R412010769		-1 ... 0 bar	1 output-0 - 10 V DC-4 ... 20 mA
R412010768		-1 ... 0 bar	1 output-0 - 10 V DC-4 ... 20 mA
R412010775		-1 ... 0 bar	-
R412010774		-1 ... 0 bar	-

Part No.	Output signal	Compressed air connection	Fig.
	digital		
R412010761	2 outputs-PNP, NPN, Push-pull	Internal thread, G 1/4	Fig. 1
R412010760	2 outputs-PNP, NPN, Push-pull	push-in fitting, Ø 4	Fig. 2
R412010769	1 output-PNP, NPN, Push-pull	Internal thread, G 1/4	Fig. 1
R412010768	1 output-PNP, NPN, Push-pull	push-in fitting, Ø 4	Fig. 2
R412010775	1 output-PNP, NPN, push-pull, 1x IO-Link	Internal thread, G 1/4	Fig. 1
R412010774	1 output-PNP, NPN, push-pull, 1x IO-Link	push-in fitting, Ø 4	Fig. 2

Technical information

Alternative pressure connection (G1/4) on the rear side (closed with plug)

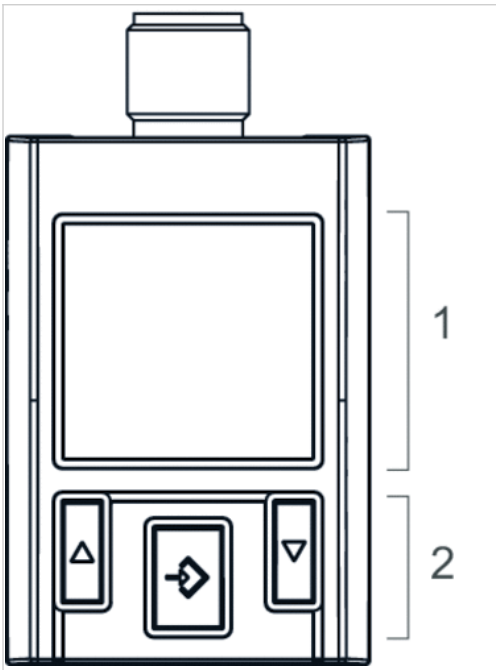
Display color selectable, red or green

The IO-Link device description (IODD) for the PE5 pressure sensor is available for download in the Media Centre.

Technical information

Material	
Housing	Polycarbonate
Seals	Acrylonitrile butadiene rubber
Blanking plug	Polyoxymethylene
Electr. connection	Aluminum, black anodized

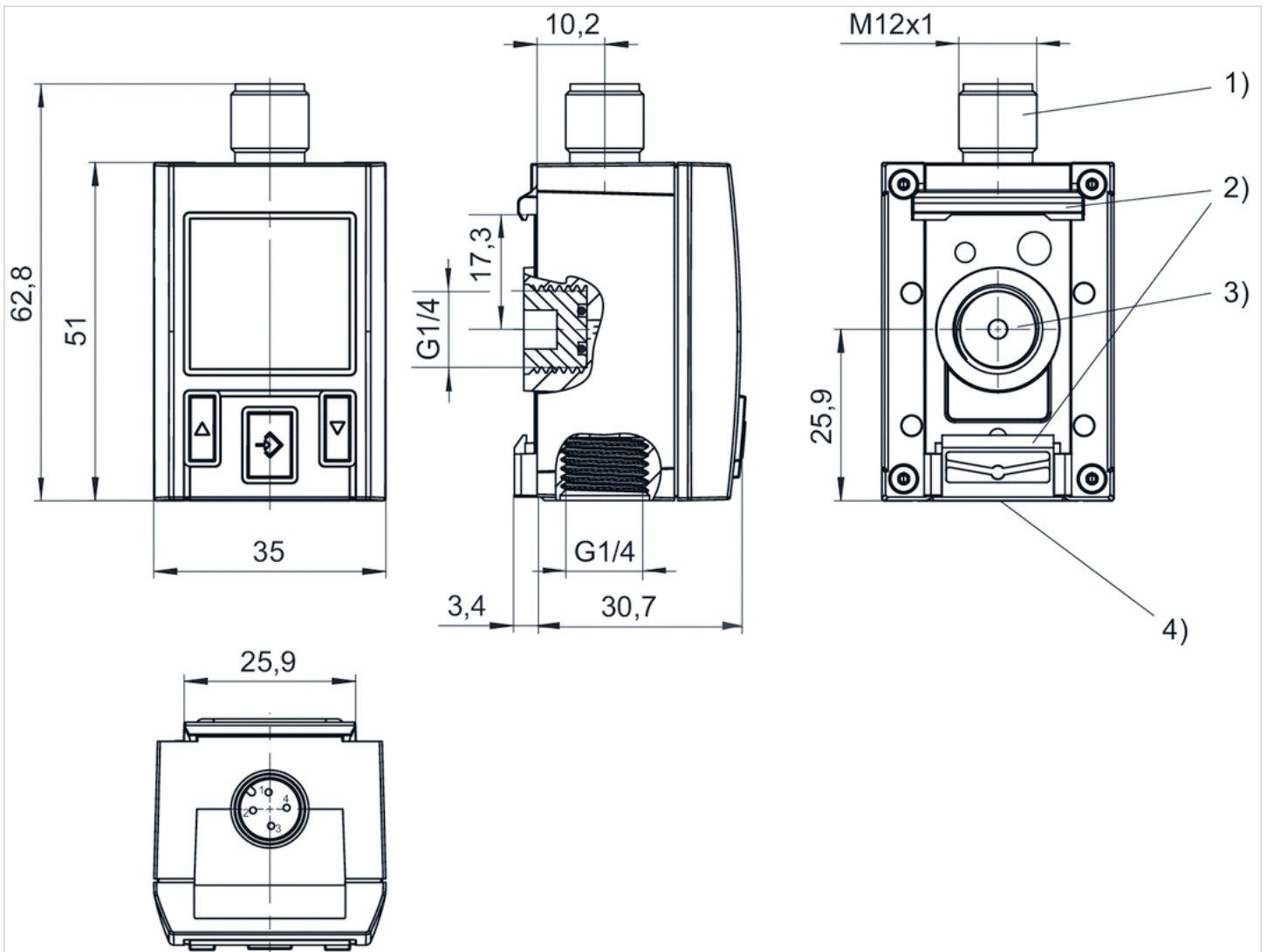
Display and operation area



- 1) LCD display
- 2) Control panel with 3 buttons

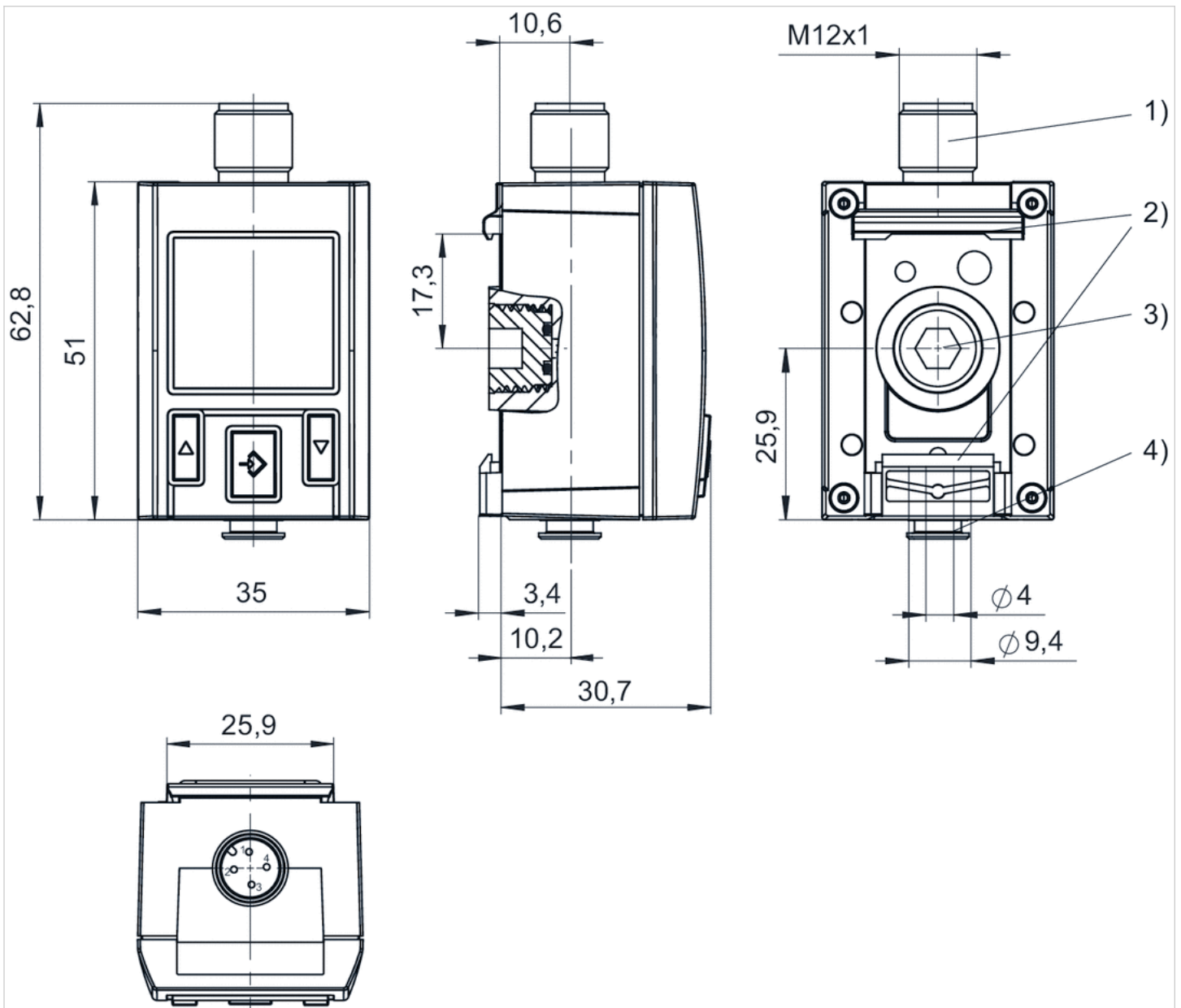
Dimensions

Fig. 1



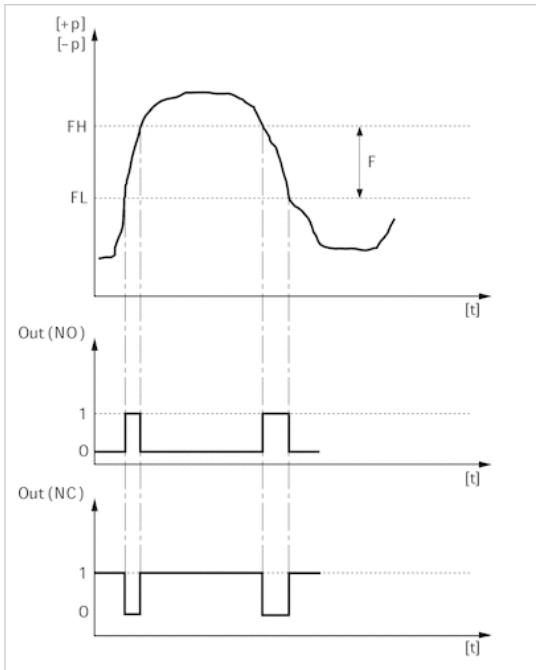
- 1) M12x1 electrical connection
- 2) Mounting for hat rail and wall mounting
- 3) Alternative pressure connection (G1/4) closed with plug
- 4) Pressure connection G1/4

Fig. 2



- 1) M12x1 electrical connection
- 2) Mounting for hat rail and wall mounting
- 3) Alternative pressure connection (G1/4) closed with plug
- 4) Pressure connection, tubing ϕ 4 mm

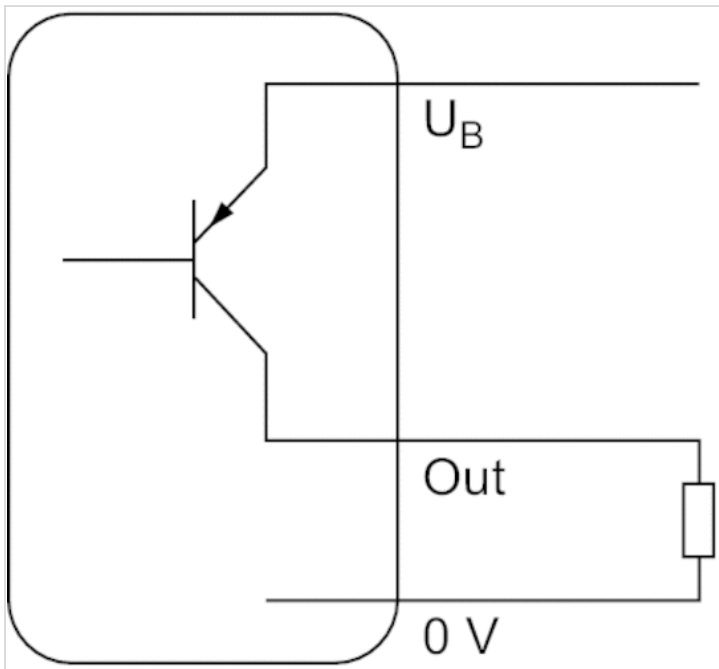
Window function: switching and resetting behavior depending on pressure p and time t



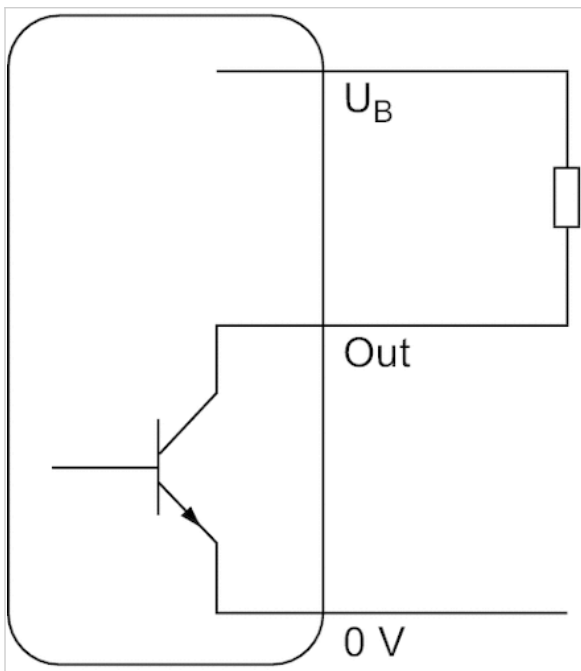
FH: pressure band, upper value
 FL: pressure band, lower value
 Out (NC): switch output, break contact
 Out (NO): switch output, make contact

Diagrams

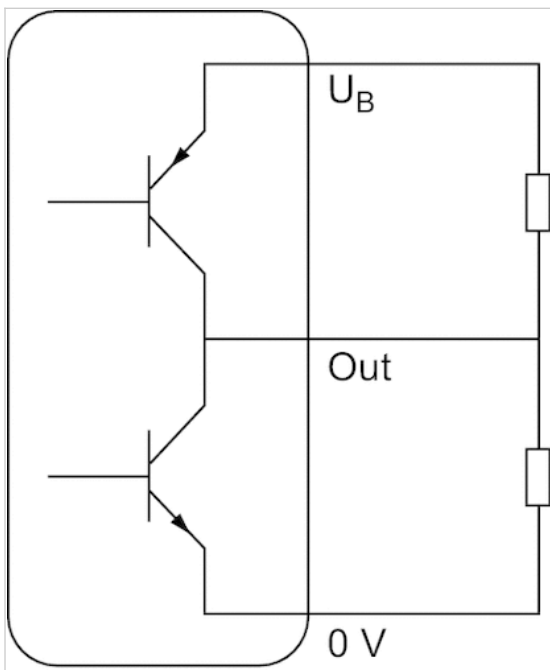
Operating mode PNP



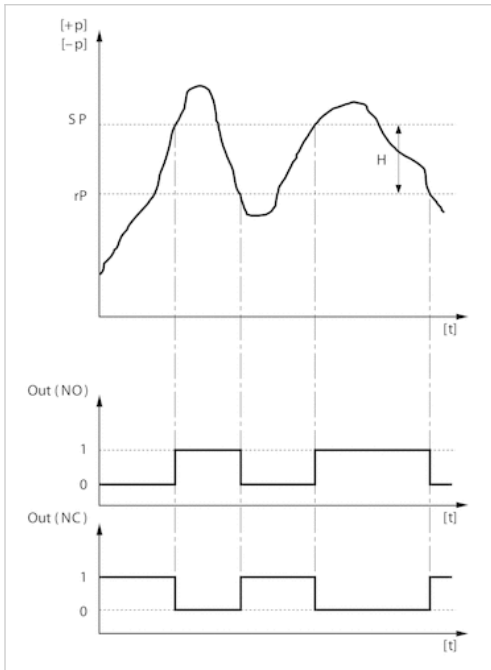
Operating mode NPN



Operating mode Push-pull

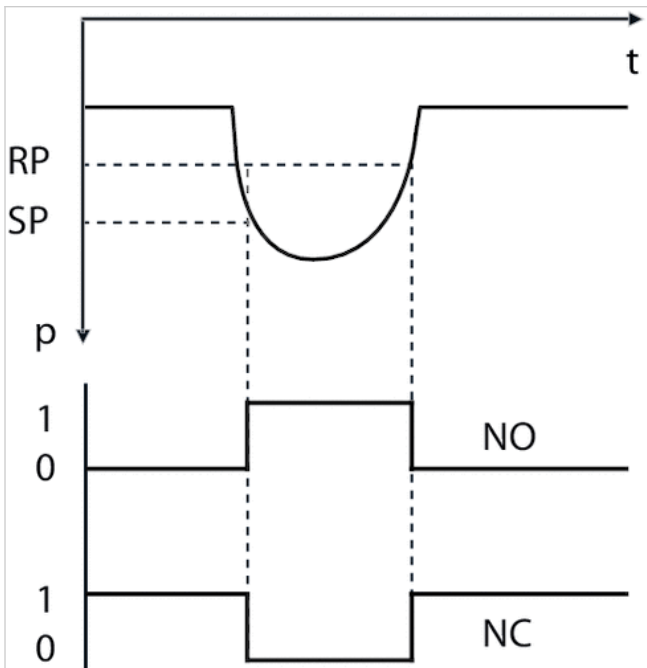


Hysteresis function: switching and resetting behavior dependent on pressure p and time t In case

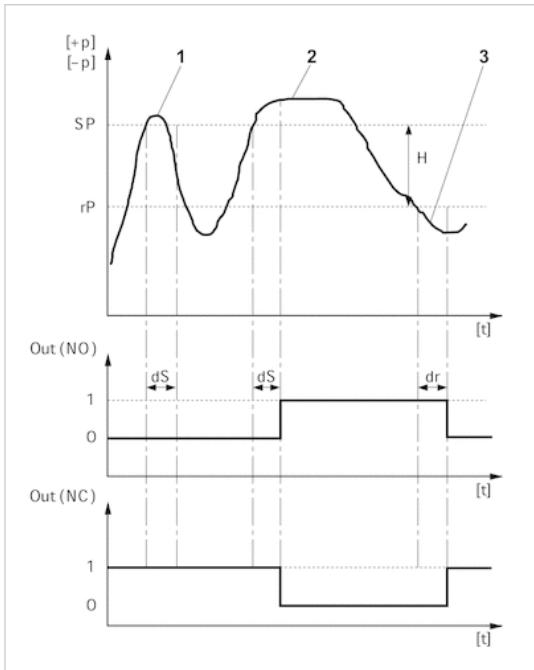


H: Hysteresis
 SP = switching point RP = resetting point
 Out (NC): switch output, break contact Out (NO): switch output, make contact

Hysteresis function: switching and resetting behavior dependent on pressure p and time t In case



Delayed hysteresis function: switching and resetting behavior depending on pressure p and time



H: Hysteresis

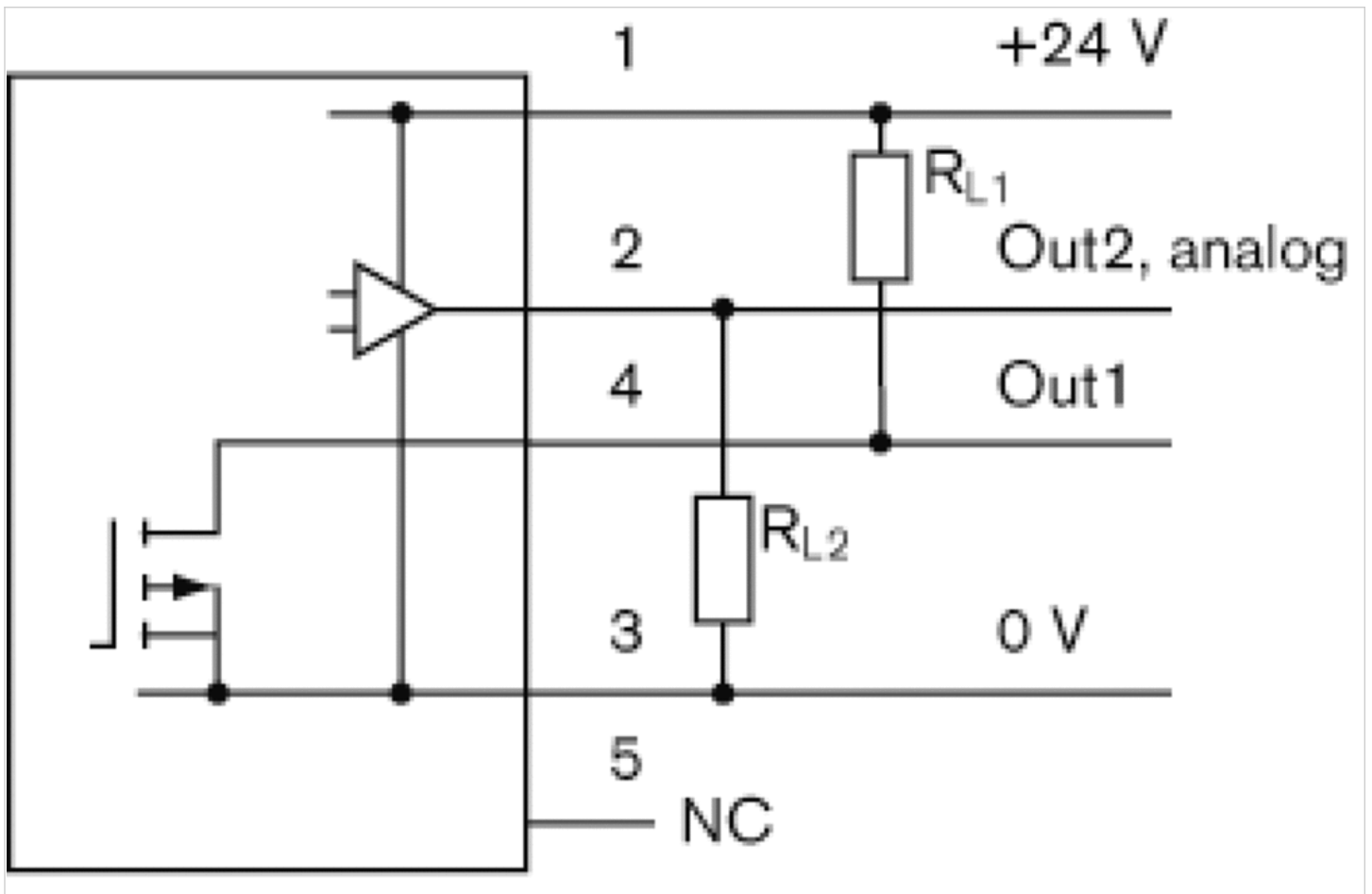
SP = switching point RP = resetting point

Out (NC): switch output, break contact Out (NO): switch output, make contact

dS: switching delay dR = reset delay

1) period of pressure over the switching point dS : pressure sensor does not switch
 2) Period of pressure over the switching point $> dS$: pressure sensor switches
 3) Period of pressure under the resetting point $> dR$: pressure sensor switches

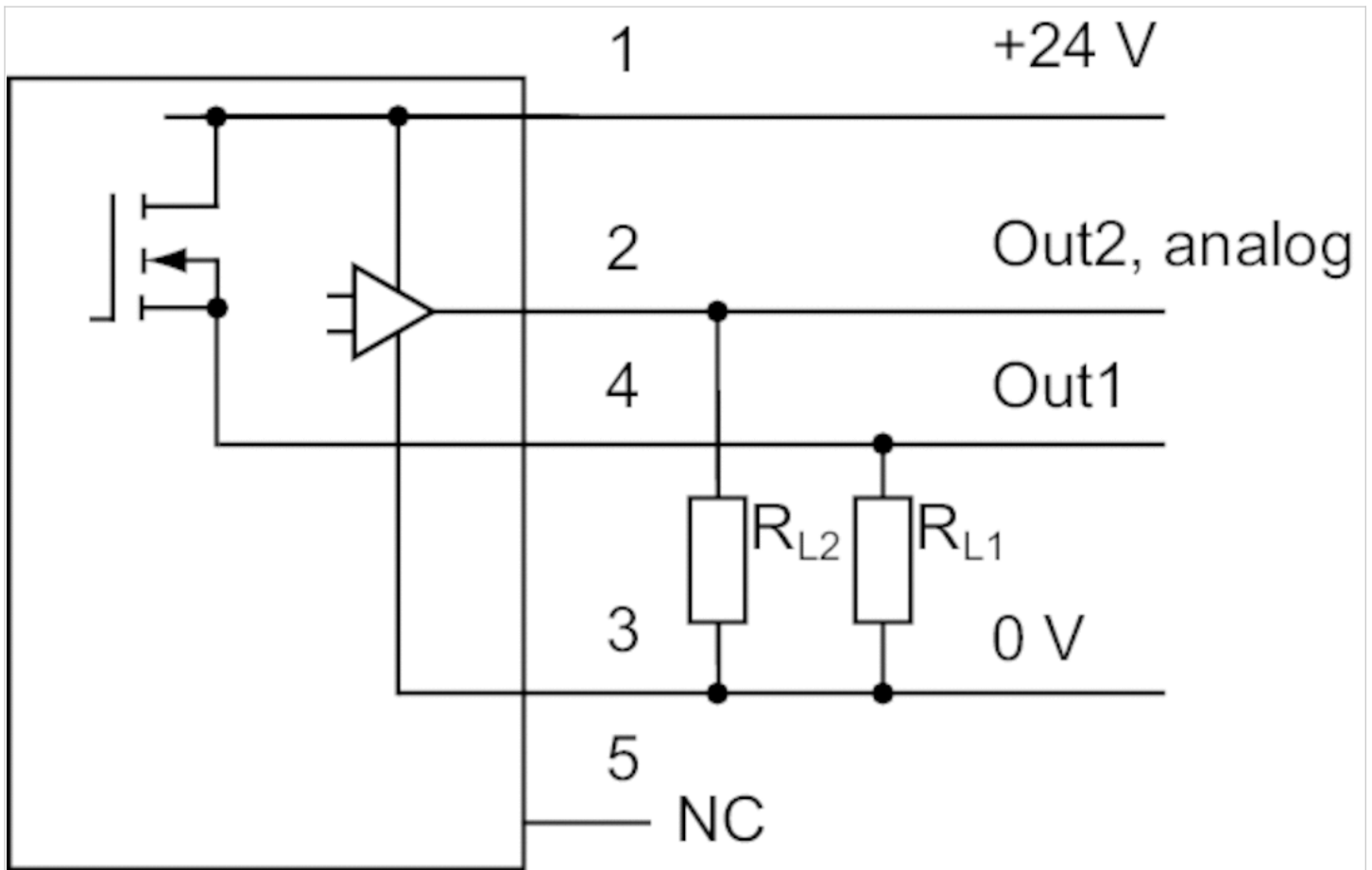
Block diagram 1x NPN and 1x analog



RL = storable position

Circuit diagram

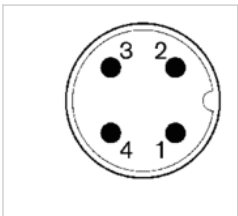
Block diagram 1x PNP and 1x analog



RL = storable position

Pin assignments

Pin assignments M12x1



Pin 1: operational voltage + UB

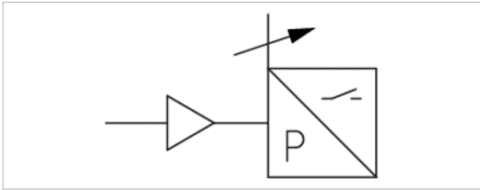
Pin 2: switch output Out2, analog: A or V, digital: PNP, NPN, push-pull

Pin 3: 0 V

Pin 4: switch output Out1, digital: PNP, NPN, push-pull

Pressure sensor, Series PE6

- Operating pressure -1 ... 0 bar
- electronic
- Output signal digital 2 x PNP
- with sensor element based on piezo resistance
- Electr. connection Plug, M8x1, 4-pin
- Compressed air connection Flange with O-ring, Ø 1,2x1



Type	electronic
Function	2 x PNP
Compressed air connection	Flange with O-ring, Ø 1,2x1
Working pressure min./max.	-1 ... 0 bar
Ambient temperature min./max.	0 ... 60 °C
Medium temperature min./max.	0 ... 50 °C
Medium	Compressed air
Max. oil content of compressed air	1 mg/m ³
Measurement	Relative pressure
Display	LED
Switching logic	NO (make contact)
Operating pressure display	2 LED
Protection against overpressure	5 bar
Shock resistance max.	10 g
Vibration resistance	10 - 55 Hz, 0,1 mm
Repeatability (% of full scale value)	± 1 %
Switching time	2 ms
Switching point	adjustable 0 ... 100%
Resetting point	adjustable 0 ... 100%
Quiescent current consumption	20 mA
Short circuit resistance	clocking
Mounting types	via flange
Protection class	IP40
Electr. connection	Plug, M8x1, 4-pin
Weight	0,006 kg

Technical data

Part No.	Type	Operating pressure range	Output signal
		min./max.	digital
R412007880	PE6-P2-L HYST. FEST	-1 ... 0 bar	2 x PNP
R412007881	PE6-P2-L HYST EINST	-1 ... 0 bar	2 x PNP
R412007882	PE6-P2-S HYST FEST	-1 ... 0 bar	2 x PNP
R412007883	PE6-P2-S HYST EINST	-1 ... 0 bar	2 x PNP

Part No.	Precision (% of full scale value)	Hysteresis	Mounting orientation
R412007880	± 3 %	2% of the final value, fixed	L (horizontal)
R412007881	± 3 %	adjustable	L (horizontal)
R412007882	± 3 %	2% of the final value, fixed	S (vertical)
R412007883	± 3 %	adjustable	S (vertical)

Technical information

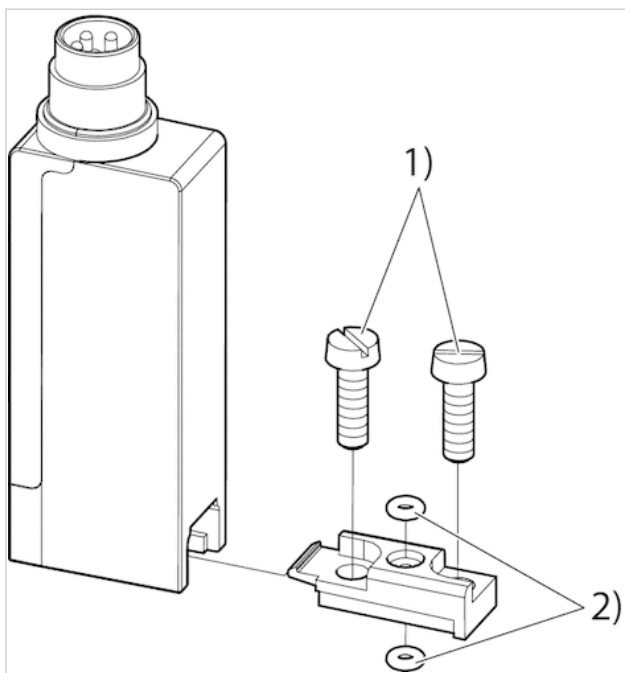
Notice: This product may only be operated with oil-free, dry compressed air.
Flange plate with screws and seals in scope of delivery

Technical information

Material

Housing	Polycarbonate
Seals	Acrylonitrile butadiene rubber
Electr. connection	Brass, nickel-plated

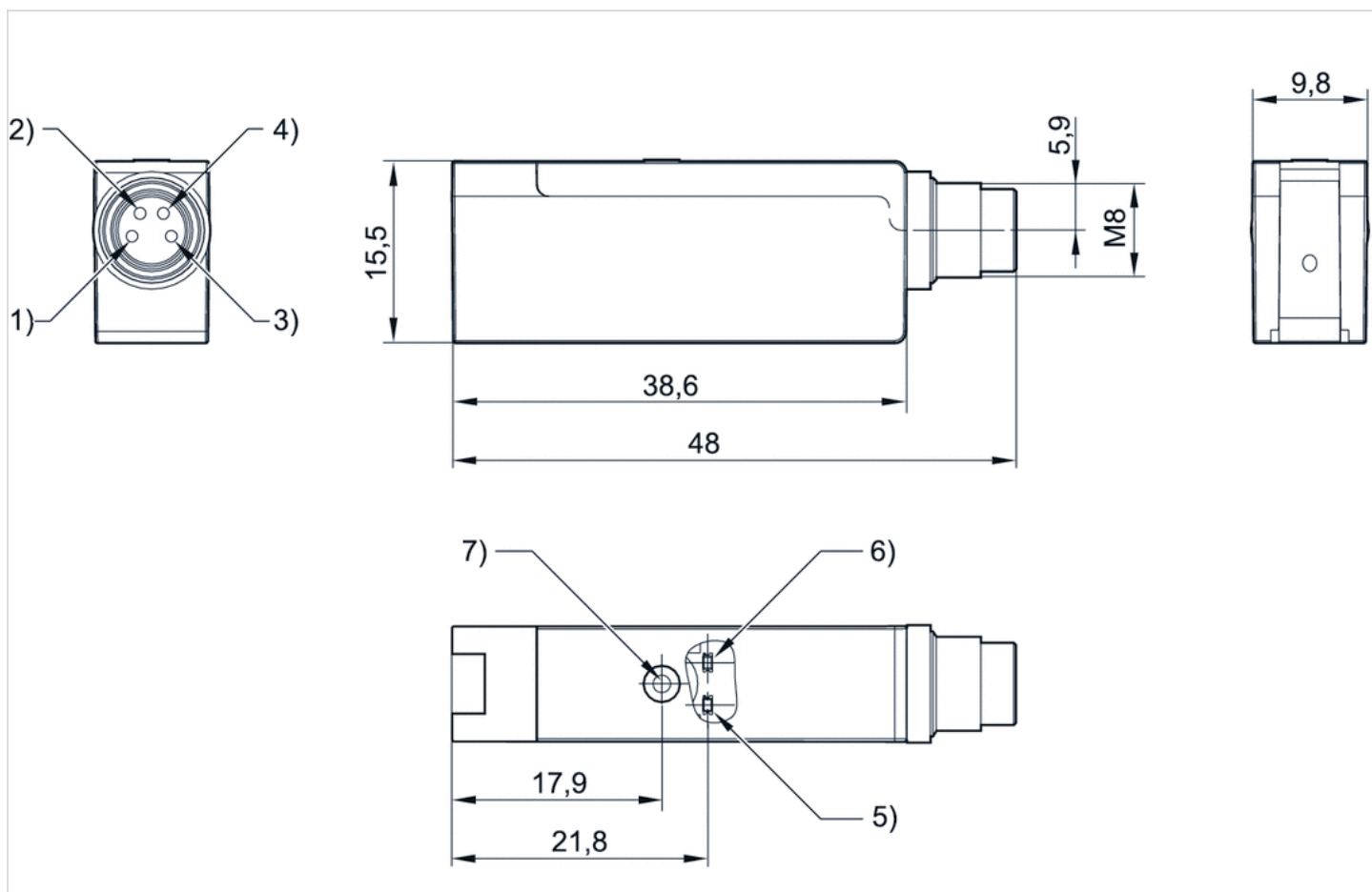
Pressure sensor PE6...-S



- 1) Cylinder screw M2,5x8
- 2) O-ring Ø1,2x1 (included)

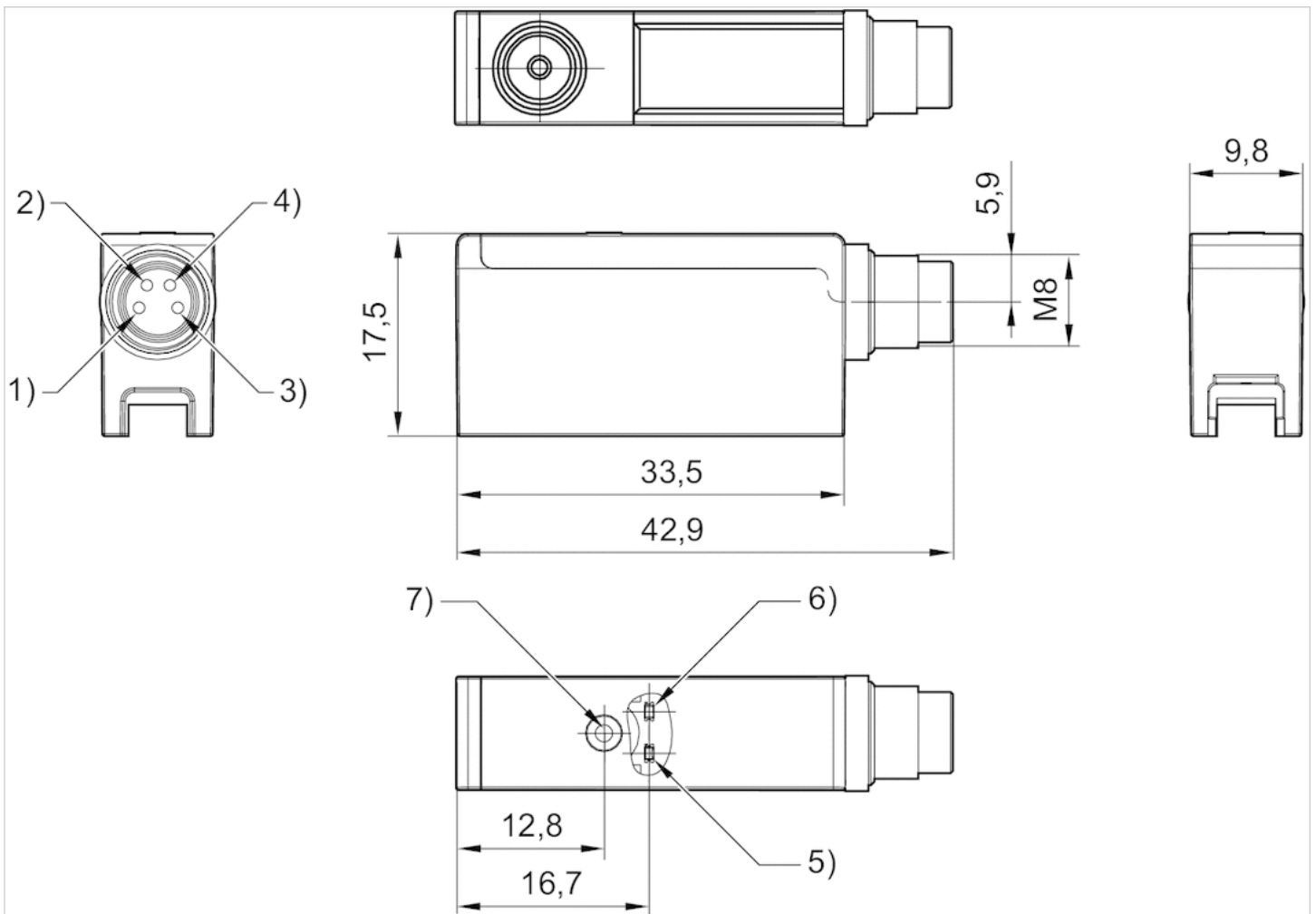
Dimensions

PE6...-S



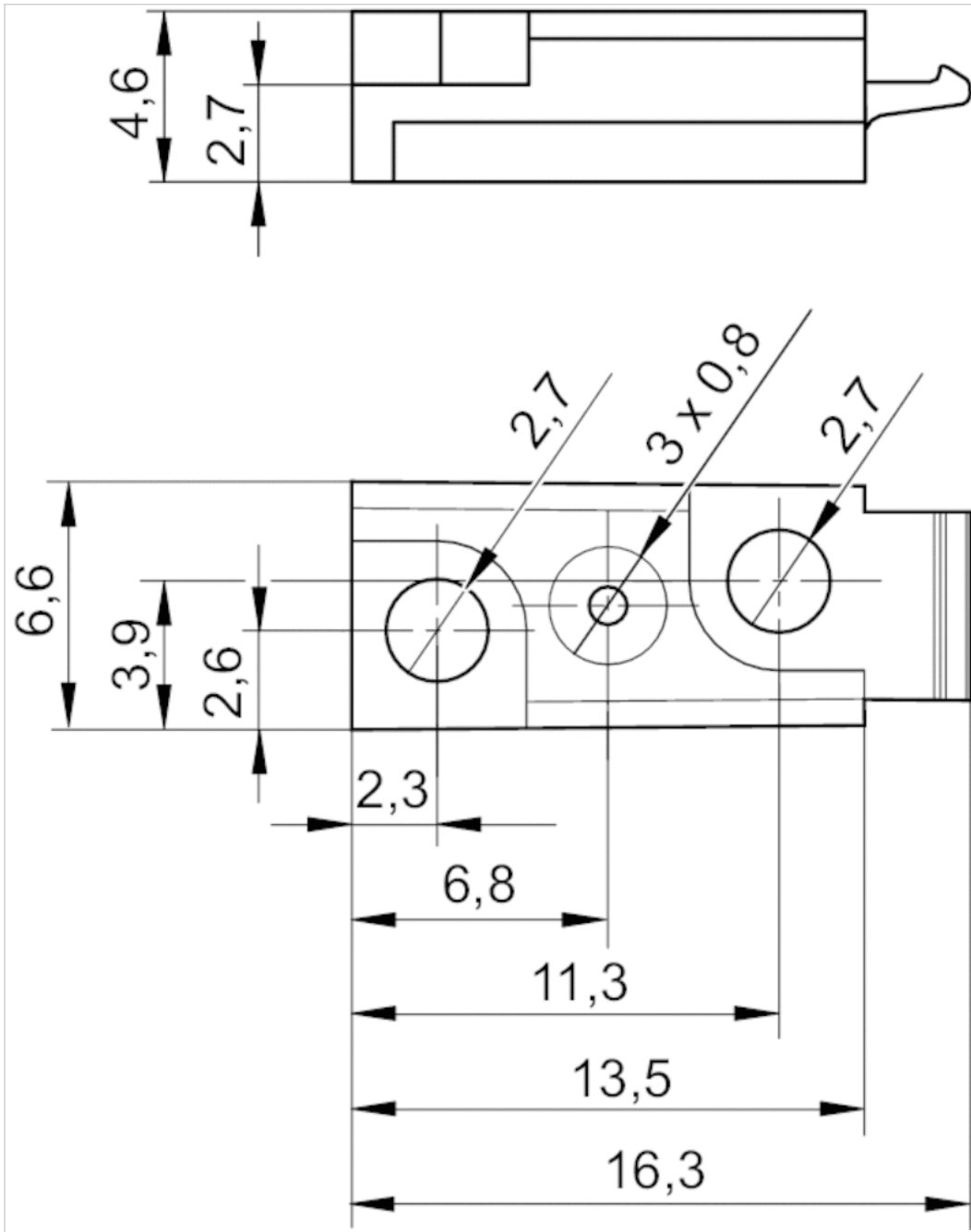
- 1) +UB
- 2) Switch output 2
- 3) GND
- 4) Switch output 1
- 5) LED for switch output 2) 6) LED for switch output 1) 7) setting knob

PE6...-L

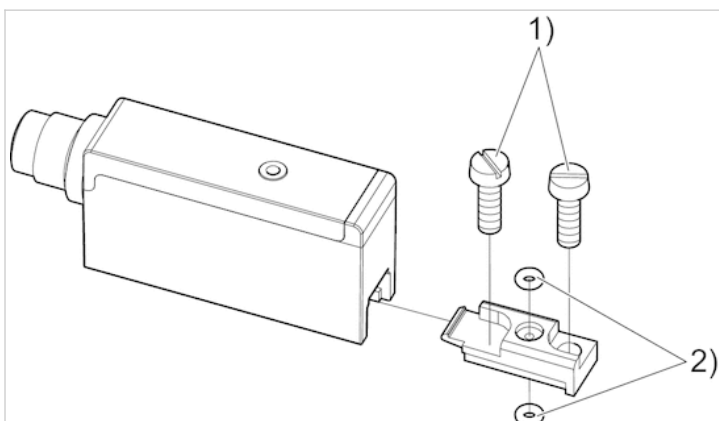


- 1) +UB
- 2) Switch output 2
- 3) GND
- 4) Switch output 1
- 5) LED for switch output 2
- 6) LED for switch output 1
- 7) setting knob

Flange plate PE6



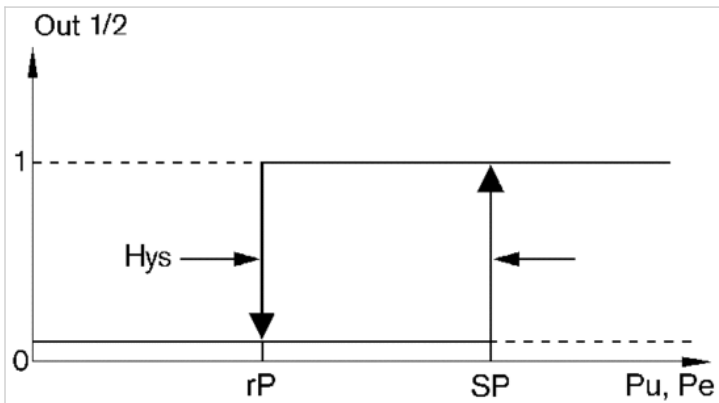
Pressure sensor PE6...-L



1) Cylinder screw M2,5x8

2) O-ring Ø1,2x1 (included)

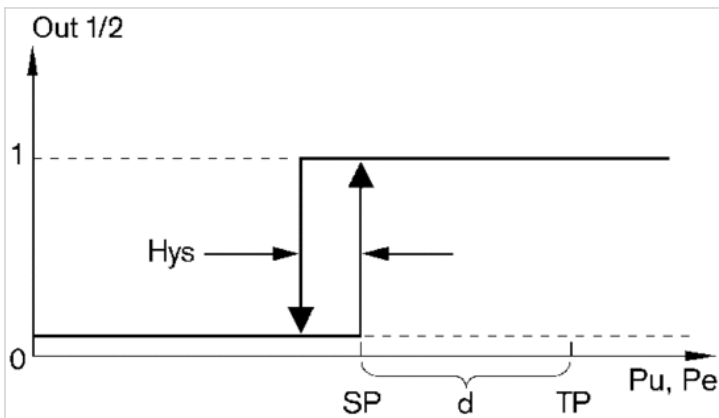
Switching function (adjustable hysteresis)



SP = switch-on point, rP = resetting point
 OUT: switch output
 Pu = pressure 0 - vacuum sensor Pe = pressure > 0 - pressure sensor

Diagrams

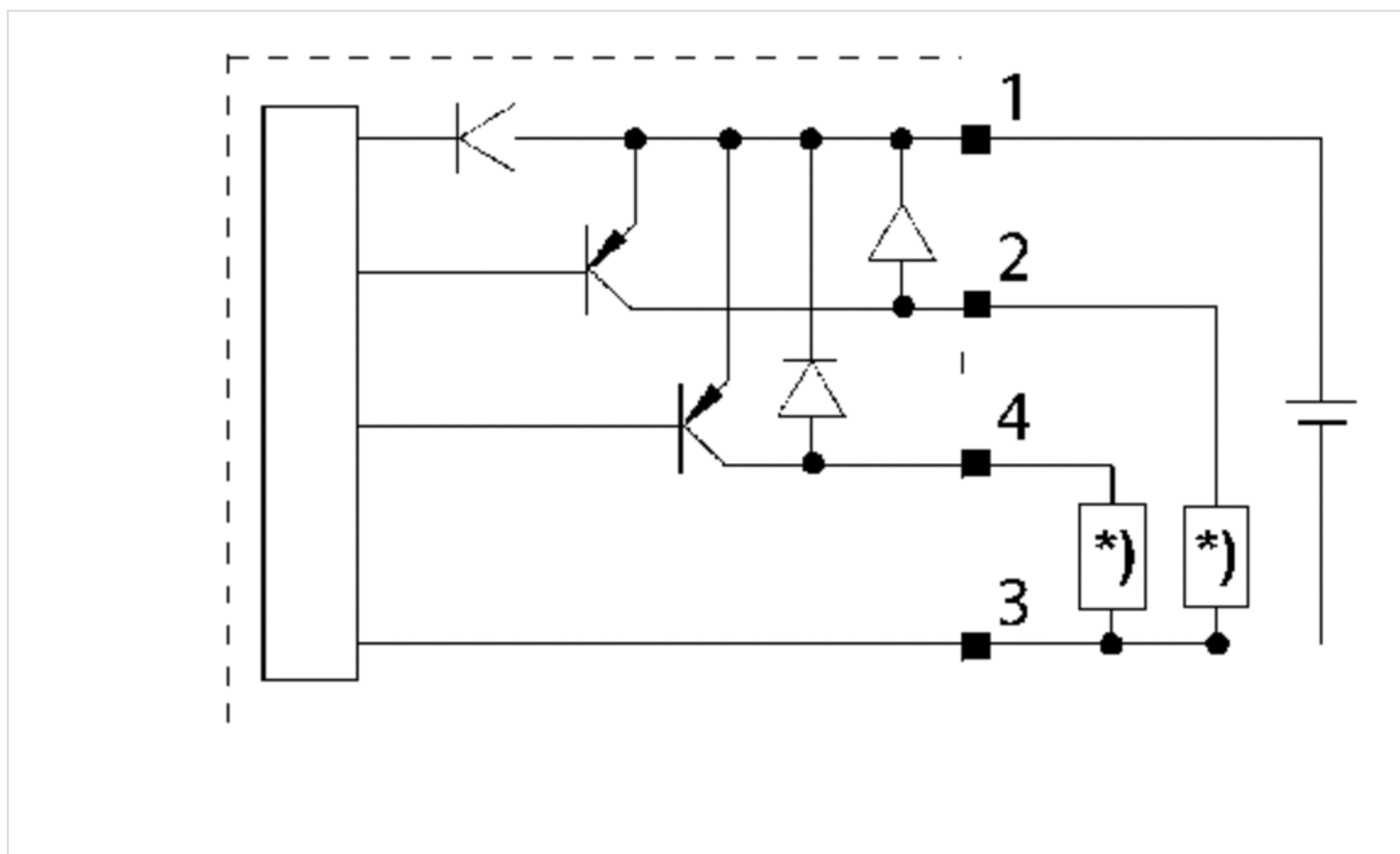
Switching function (fixed hysteresis)



Vacuum sensor: d=20%
 Pressure sensor: d=5%
 SP = switch-on point, TP = teach point
 OUT: switch output
 Pu = pressure 0 - vacuum sensor Pe = pressure > 0 - pressure sensor

Circuit diagram

Block diagram



* Storable position

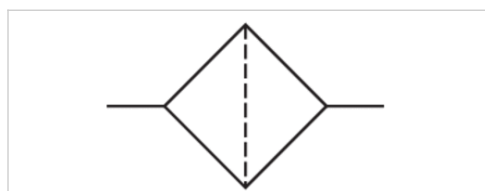
Vacuum filter, cup version, Series VFC

- G 1/8, G 1/4, G 3/8, G 1/2, G 3/4

- filter porosity 80 µm



Version	Vacuum filter
Mounting orientation	Any
Ambient temperature min./max.	5 ... 52 °C
Medium	Compressed air
Filter element	exchangeable
filter porosity	80 µm
Weight	See table below



Technical data

Part No.	Port	Qn	Weight
0821305181	G 1/8	45 l/min	0,049 kg
0821305182	G 1/4	110 l/min	0,047 kg
0821305183	G 3/8	245 l/min	0,079 kg
0821305184	G 1/2	300 l/min	0,076 kg
0821305185	G 3/4	600 l/min	0,164 kg

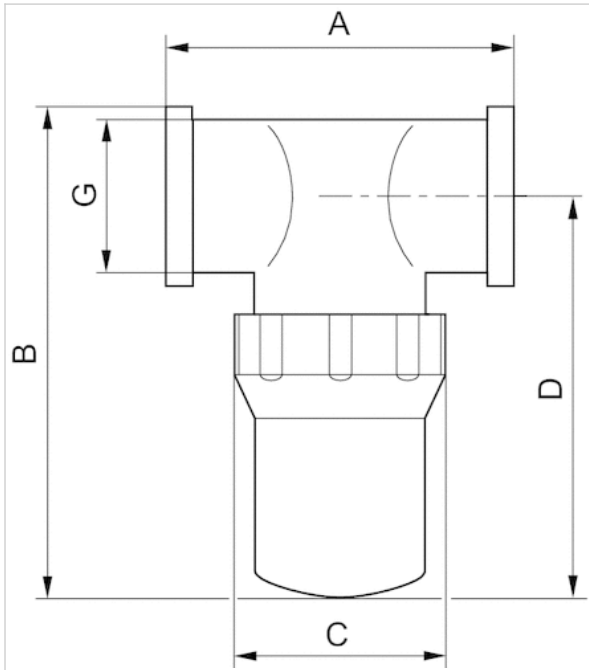
Nominal flow at $\Delta p = 40$ mbar

Technical information

Material	
Housing	Polypropylene
Seals	Acrylonitrile butadiene rubber
Reservoir	Polyamide
Filter insert	Polyethylene

Dimensions

Dimensions

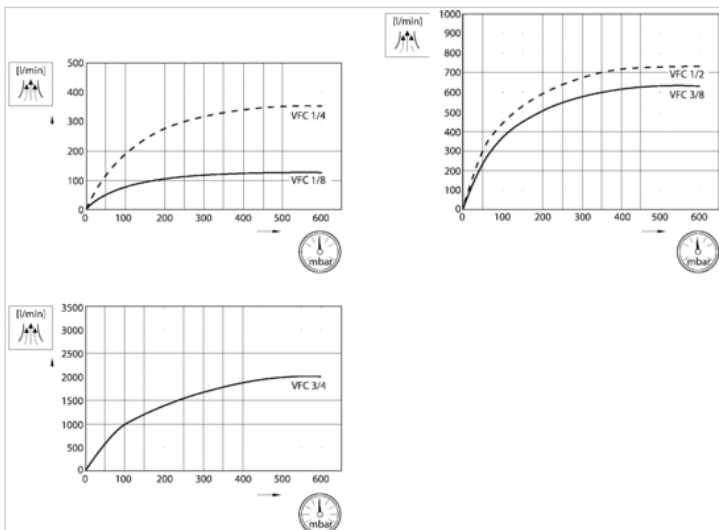


Dimensions

Part No.	G	A	B	C	D
0821305181	G 1/8	76	60	48	50
0821305182	G 1/4	76	60	48	50
0821305183	G 3/8	76	102	48	88
0821305184	G 1/2	76	102	48	88
0821305185	G 3/4	90.5	136.5	74.2	118

Diagrams

characteristics (flow volume)



Reservoir, Series VFC

- Material Polyamide



Version
Version
Medium
Weight

Reservoir
reservoir, PA, without protective guard
Compressed air
See table below

Technical data

Part No.	Weight
R961400171	0,024 kg
R961400172	0,036 kg
R961400173	0,085 kg

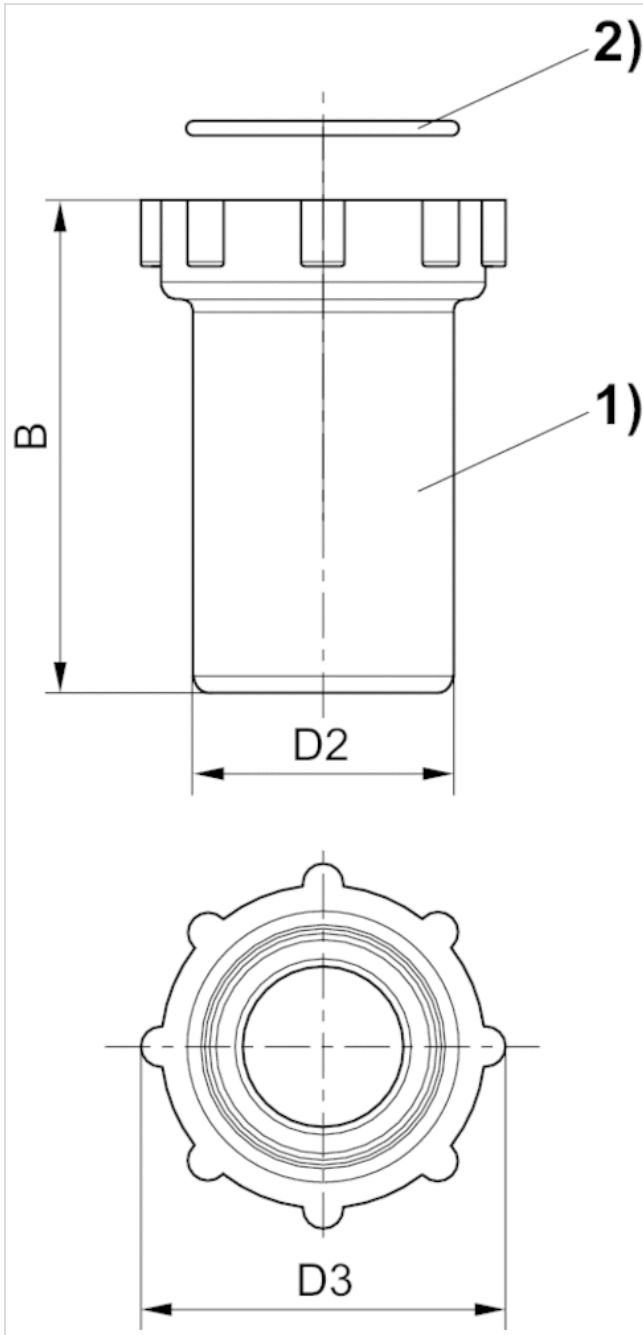
Scope of delivery: reservoir, seal

Technical information

Material	
Reservoir	Polyamide
Seal	Acrylonitrile butadiene rubber

Dimensions

Dimensions



- 1) Reservoir
- 2) Seal

Dimensions

Part No.	Type	B	D2	D3
R961400171	VFC-1/8, VFC-1/4	33.7	37	48
R961400172	VFC-3/8, VFC-1/2	67.3	35.2	48
R961400173	VFC-3/4	91.4	55.1	74.2

replacement filter, Series VFC

- G 1/8, G 3/8, G 3/4
- filter porosity 80 µm



Version	Vacuum filter
Ambient temperature min./max.	5 ... 52 °C
Medium	Compressed air
filter porosity	80 µm
Weight	See table below

Technical data

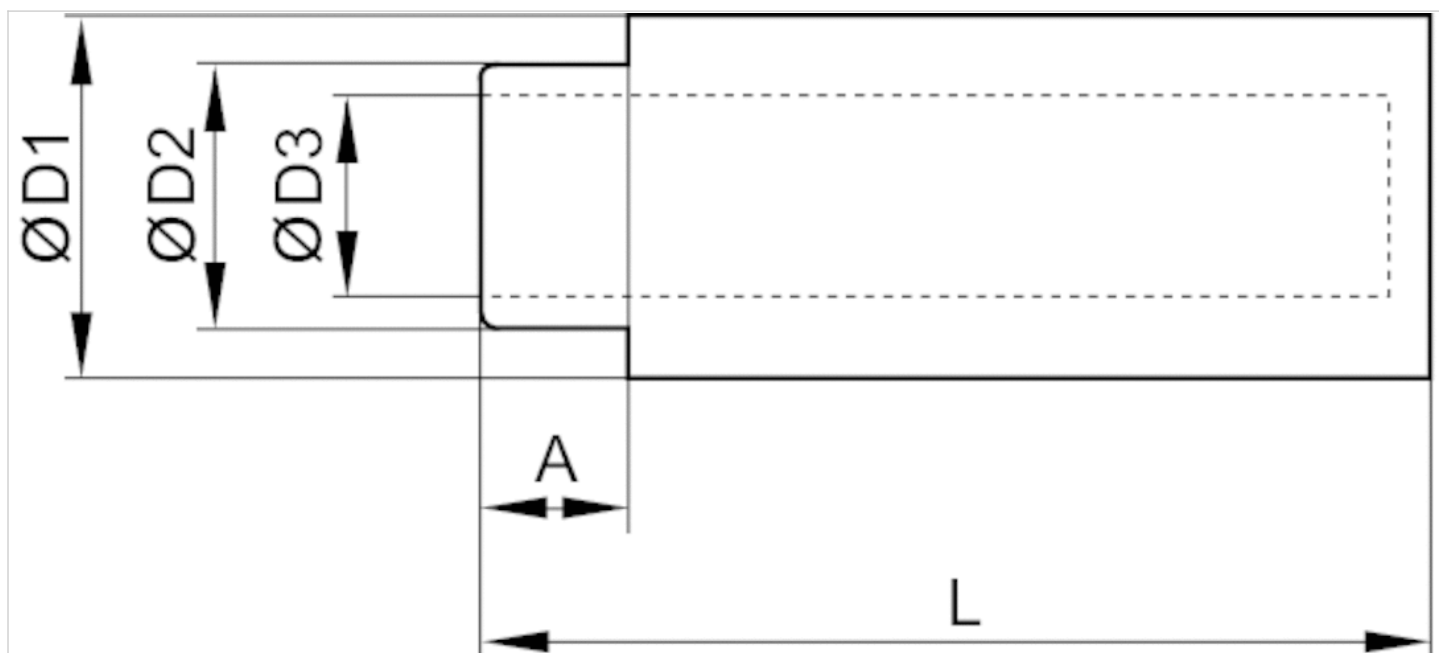
Part No.	Type	Port	Weight
1827010689	VFC-1/8, VFC-1/4	G 1/8	0,005 kg
1827010690	VFC-3/8, VFC-1/2	G 3/8	0,014 kg
1827010691	VFC-3/4	G 3/4	0,025 kg

Technical information

Material	
Filter insert	Polyethylene

Dimensions

Dimensions



Dimensions

Part No.	Port G	Type	A	Ø D1	Ø D2	Ø D3	L
1827010689	G 1/8	VFC-1/8, VFC-1/4	11	25	19.5	15	37
1827010690	G 3/8	VFC-3/8, VFC-1/2	11	25	19.5	15	71
1827010691	G 3/4	VFC-3/4	10	39	33	27.5	88.5

Angle joint, Series AJT



Weight

See table below

Technical data

Part No.	Max. vertical load (static)	Bending moment	Weight
0821305168	500 N	8 Nm	0,026 kg
0821305169	750 N	10 Nm	0,03 kg
0821305170	3000 N	50 Nm	0,1 kg

Technical information

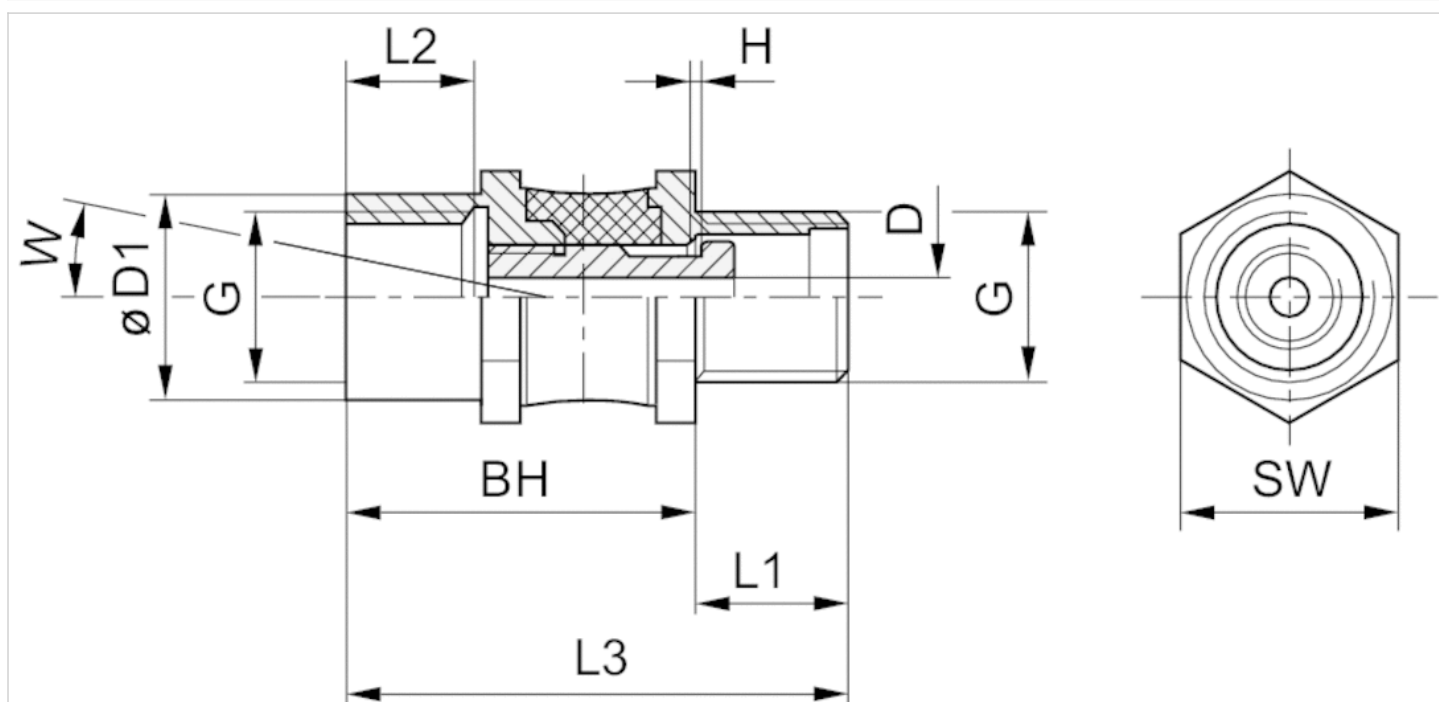
Note: high-load rubber/metal connection as a swivel joint.

Technical information

Material	
Housing	Steel
Rubber bearing	Natural rubber

Dimensions

Dimensions



Dimensions

Part No.	G1	G	$\varnothing D1$	D	L1	L2	L3	BH	H	SW	W
0821305168	G 1/4	M10x1,25	16	2.8	8	10.5	35	27	1.5	17	12°
0821305169	G 1/4	G 1/4	16	3	12	12	39	27	1.5	17	12°
0821305170	G 1/2	G 1/2	26	6	14	14	47.5	33.5	1.3	27	12°

Flow valve, Series VCK

- M5, G 1/8, G 1/4, G 3/8, G 1/2

- M5, G 1/8, G 1/4, G 3/8, G 1/2



Ambient temperature min./max.

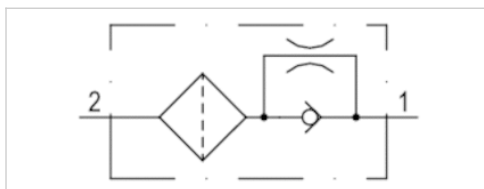
0 ... 60 °C

Medium

Compressed air

Weight

See table below



Technical data

Part No.	Port 1	Port 2	Min. suction volume for	Min. suction volume for
			Pu = - 0.3 bar	Pu = - 0.6 bar
0821305043	M5	M5	1,2 l/min	1,3 l/min
0821305044	G 1/8	G 1/8	2,3 l/min	2,5 l/min
0821305045	G 1/4	G 1/4	2,9 l/min	3,4 l/min
0821305046	G 3/8	G 3/8	7,3 l/min	8 l/min
0821305047	G 1/2	G 1/2	8,1 l/min	9 l/min

Part No.	Max. flow rate during blow-off	Weight
	Blow-off pressure: 5 bar	
0821305043	80 l/min	0,002 kg
0821305044	310 l/min	0,011 kg
0821305045	340 l/min	0,018 kg
0821305046	590 l/min	0,03 kg
0821305047	790 l/min	0,047 kg

Technical information

Non-return valve with ball seat: closes the suction line if leak air escapes from a suction cup that is not on or not fully on the workpiece. Adjustment of the suction cup is no longer necessary if handling plane workpieces. Installed filter prevents valve contamination.

Technical information

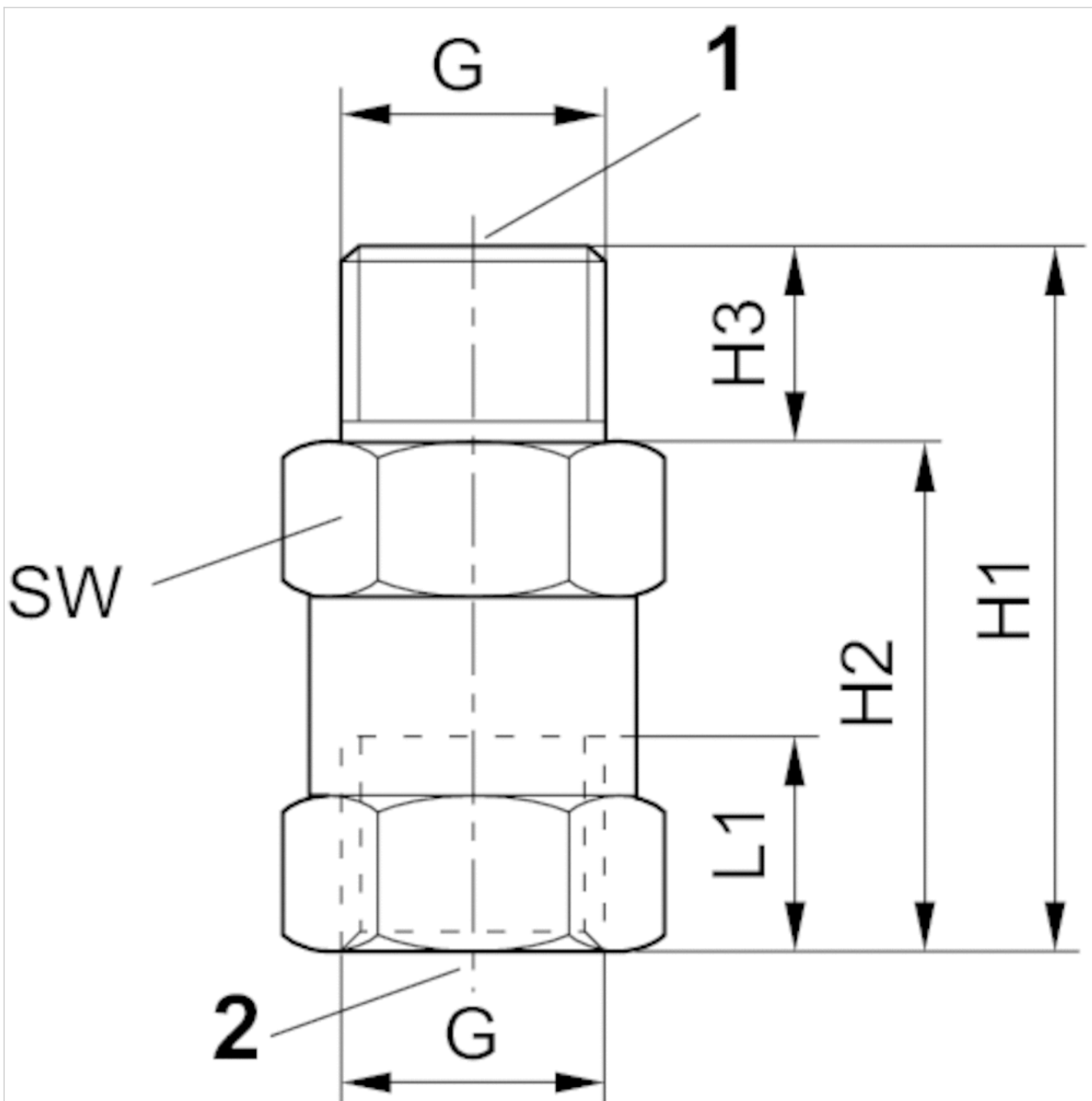
Material

Housing

Aluminum, anodized

Dimensions

Dimensions



vacuum ejector connection 1suction cup connection 2

Dimensions

Part No.	G	H1	H2	H3	L1	SW
0821305043	M5	20	15.5	4.5	4.5	8
0821305044	G 1/8	34	26	8	8.5	14
0821305045	G 1/4	36	26	10	11	17
0821305046	G 3/8	39	29	10	12	22
0821305047	G 1/2	41	29	12	14	27

Spring-loaded plunger, Series PSL



Version

not non-rotating

Ambient temperature min./max.

0 ... 80 °C

Weight

See table below

Technical data

Part No.	Version	Spring rate	Spring pre-tensioning	Max. vertical load (static)
0821305171	not non-rotating	0,596 N/mm	1,49 N	550 N
0821305172	not non-rotating	0,323 N/mm	2,75 N	1500 N
0821305173	not non-rotating	0,221 N/mm	3,53 N	3700 N
0821305174	not non-rotating	0,143 N/mm	3,57 N	3700 N
0821305175	not non-rotating	0,097 N/mm	2,92 N	3700 N
0821305176	not non-rotating	0,711 N/mm	6,47 N	2400 N
0821305177	not non-rotating	0,452 N/mm	1,4 N	2400 N
0821305178	not non-rotating	0,262 N/mm	5,38 N	2400 N
0821305179	not non-rotating	3,829 N/mm	25,64 N	4900 N
0821305180	not non-rotating	1,072 N/mm	37,2 N	4900 N

Part No.	Max. horizontal load (static)	Bending moment	Weight	Fig.
0821305171	47 N	0,7 Nm	0,009 kg	Fig. 1
0821305172	97 N	2,2 Nm	0,019 kg	Fig. 1
0821305173	385 N	13,9 Nm	0,08 kg	Fig. 2
0821305174	283 N	13,9 Nm	0,09 kg	Fig. 2
0821305175	173 N	13,9 Nm	0,11 kg	Fig. 2
0821305176	747 N	36,6 Nm	0,145 kg	Fig. 2
0821305177	466 N	36,6 Nm	0,175 kg	Fig. 2
0821305178	340 N	36,6 Nm	0,19 kg	Fig. 2
0821305179	1870 N	99,1 Nm	0,4 kg	Fig. 2
0821305180	800 N	99,1 Nm	0,53 kg	Fig. 2

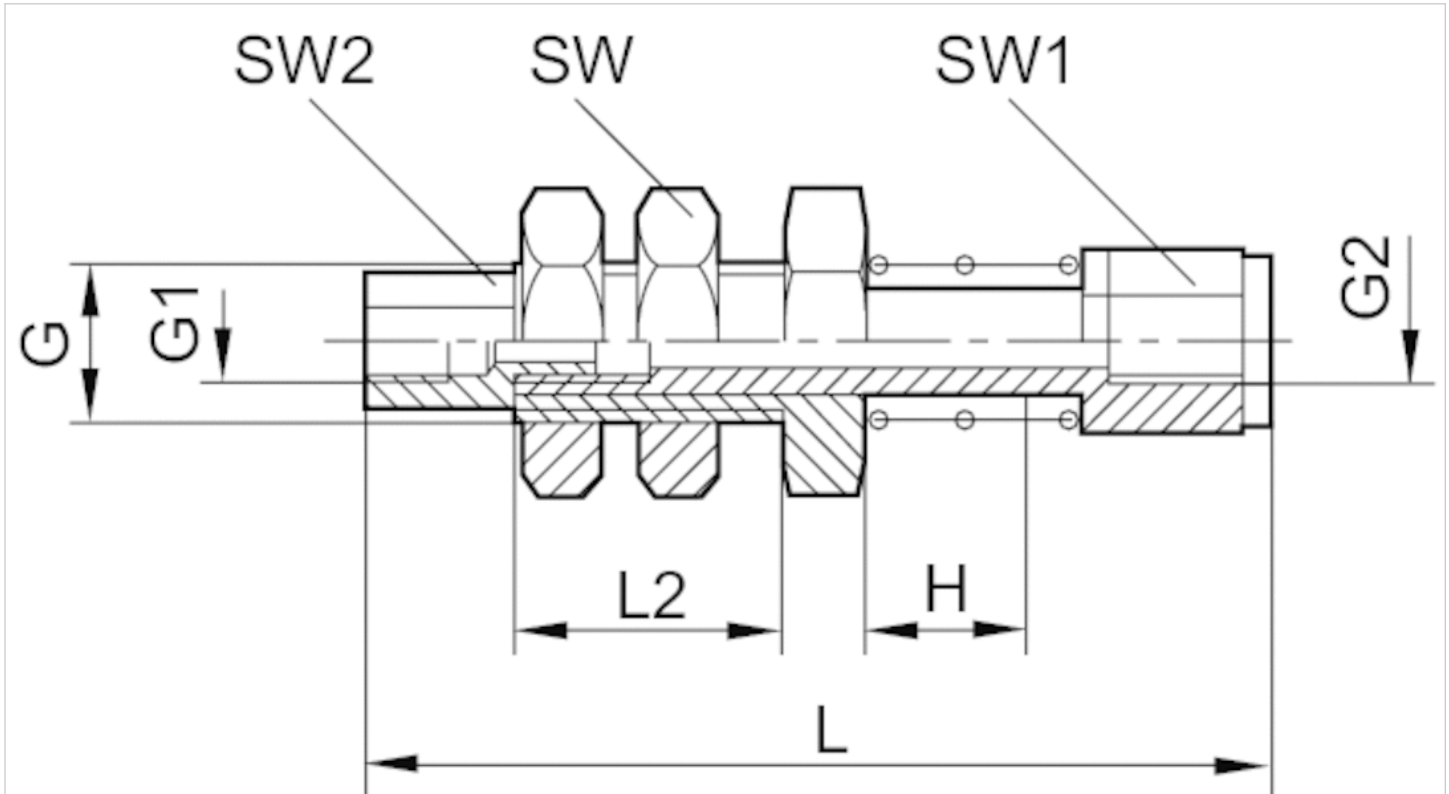
Technical information

Material	
Housing	Steel, galvanized
Guide bushing	Brass
Spring	spring steel

Material	
Nut	Steel, galvanized

Dimensions

Fig. 1



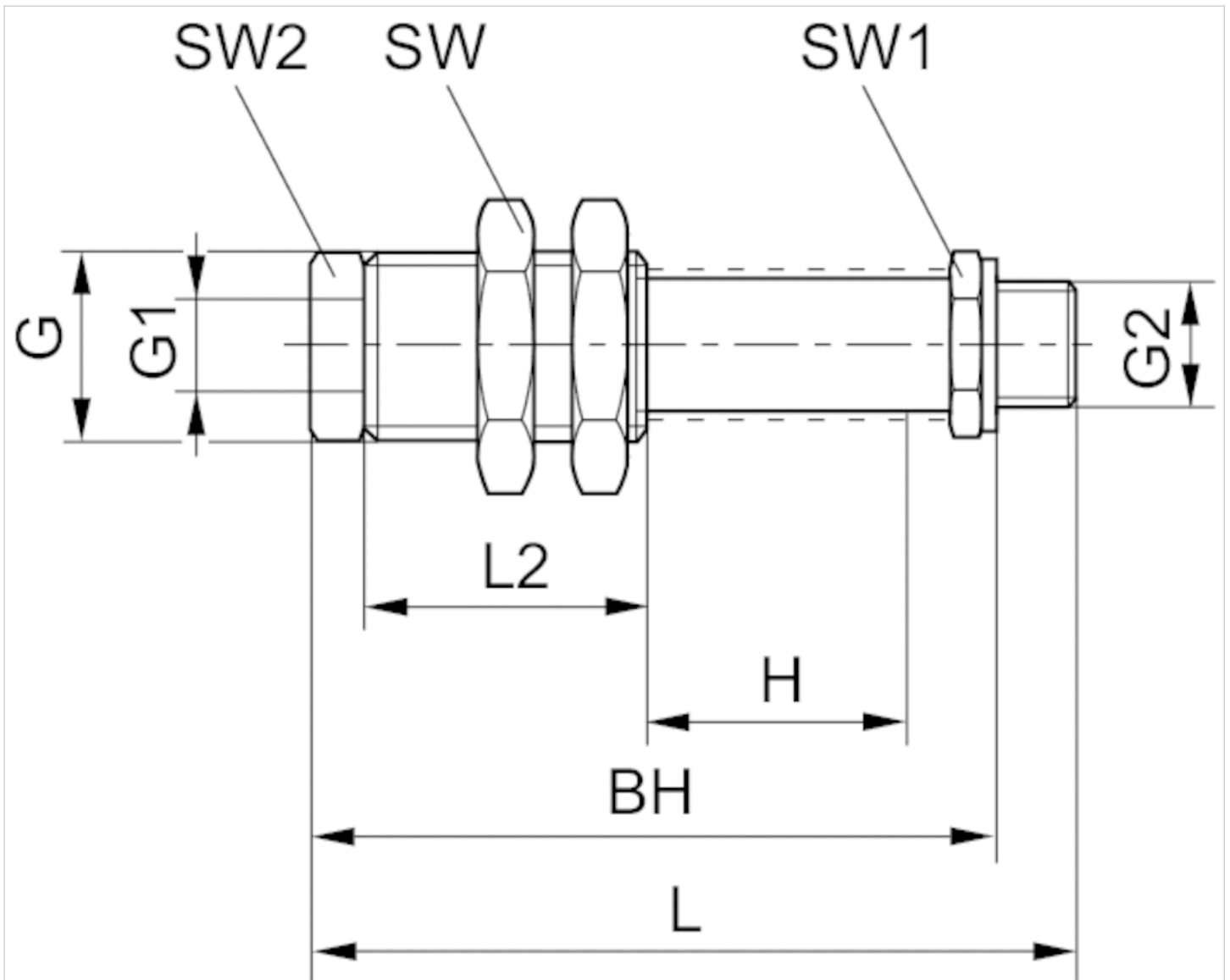
H = stroke

Dimensions

Part No.	G	G1	G2	H	L	L2	SW	SW1	SW2
0821305171	M6x0,75	M3	M3	5	33.5	10	10	7	4.5
0821305172	G 1/8	M5	M5	10	47.2	15	14	7	7

Dimensions

Fig. 2



H = stroke

Dimensions

Part No.	G	G1	G2	H	L	L2	SW	SW1	SW2	BH
0821305173	M16x1	G 1/8	G 1/8	15	80	30	22	14	12	73.5
0821305174	M16x1	G 1/8	G 1/8	25	93	30	22	14	12	86.5
0821305175	M16x1	G 1/8	G 1/8	50	124	30	22	14	12	117.5
0821305176	M20x1,5	G 1/8	G 1/4	25	94.5	40	24	17	17	86
0821305177	M20x1,5	G 1/8	G 1/4	50	124	40	24	17	17	115.5
0821305178	M20x1,5	G 1/8	G 1/4	75	153.5	40	24	17	17	145
0821305179	M30x1,5	G 3/8	G 1/2	25	116	55	36	24	24	105.3
0821305180	M30x1,5	G 3/8	G 1/2	75	187	55	36	24	24	176.5

Silencers, series SI1

- Polyethylene



Working pressure min./max.

0 ... 10 bar

Ambient temperature min./max.

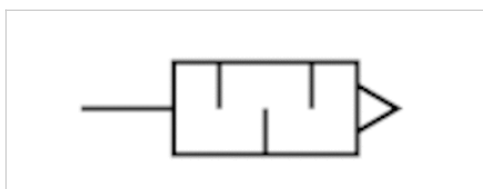
-25 ... 80 °C

Medium

Compressed air

Weight

0,383 kg



Technical data

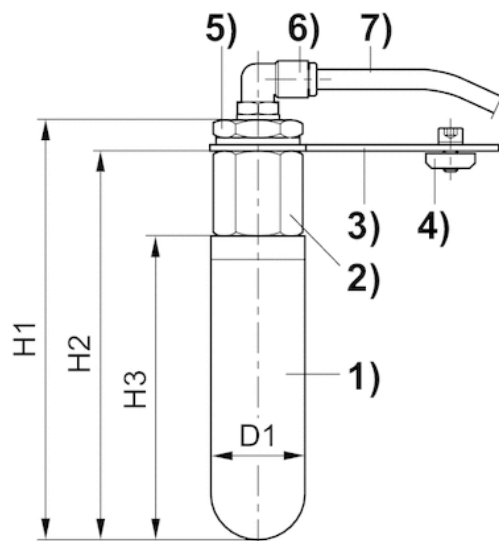
Part No.	Compressed air connection	Delivery unit
1827010513	G 3/4	1 piece

Technical information

Material	
Silencers	Polyethylene
Thread	Polyethylene

Dimensions

Dimensions



1) Silencer (porously sintered polyethylene) 2) Connector sleeve G 3/4 3) Holding plate (120x40x2.5) 4) 2 x M6x12 including groove lugs 5) Reducing supports G 3/4 - G 1/4 6) Angle threaded connector Ø 8 mm 7) PU tube Ø 8 mm, 250 mm long

Dimensions

Part No.	Port	H1	H2	H3	D1
1827010513	G 3/4	174	161	126	38.5

Vacuum control unit, Series VCU



Working pressure min./max.	4 ... 7 bar
Ambient temperature min./max.	-15 ... 50 °C
Medium temperature min./max.	-15 ... 50 °C
Max. particle size	5 µm
Oil content of compressed air	0 ... 1 mg/m³
Power consumption	30 W
Weight	See table below

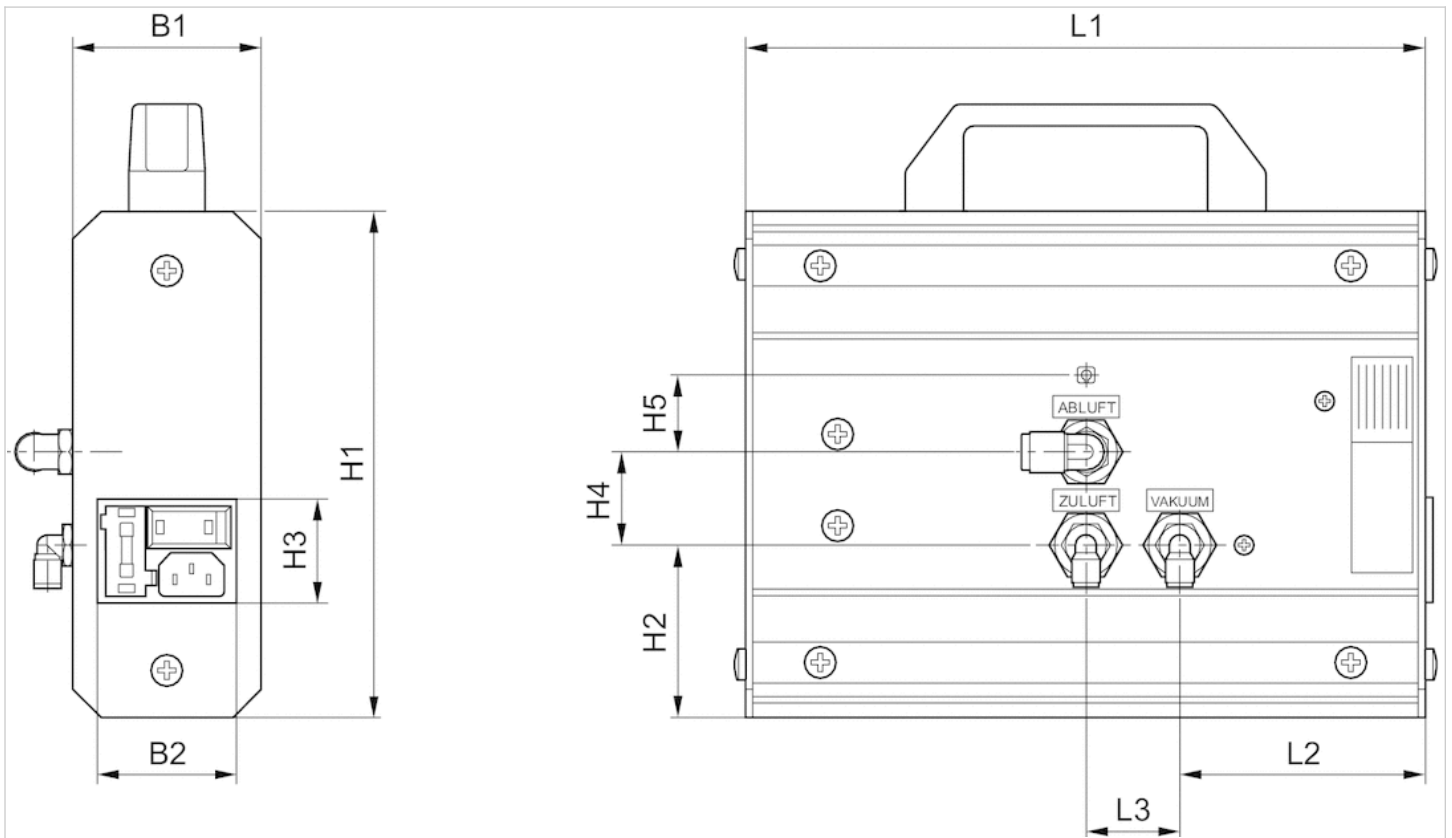
Technical data

Part No.	Version	Air consumption	Max. vacuum level at p.opt	Weight
0821305060	control unit	60 l/min	90 %	3,3 kg
0821305062	Tweezers,dirt filter	60 l/min	90 %	0,2 kg
1827010512	suction attachment	60 l/min	90 %	0,005 kg

Part No.	Fig.
0821305060	Fig. 1
0821305062	Fig. 2, Fig. 3
1827010512	Fig. 4

Dimensions

Fig. 1 control unit



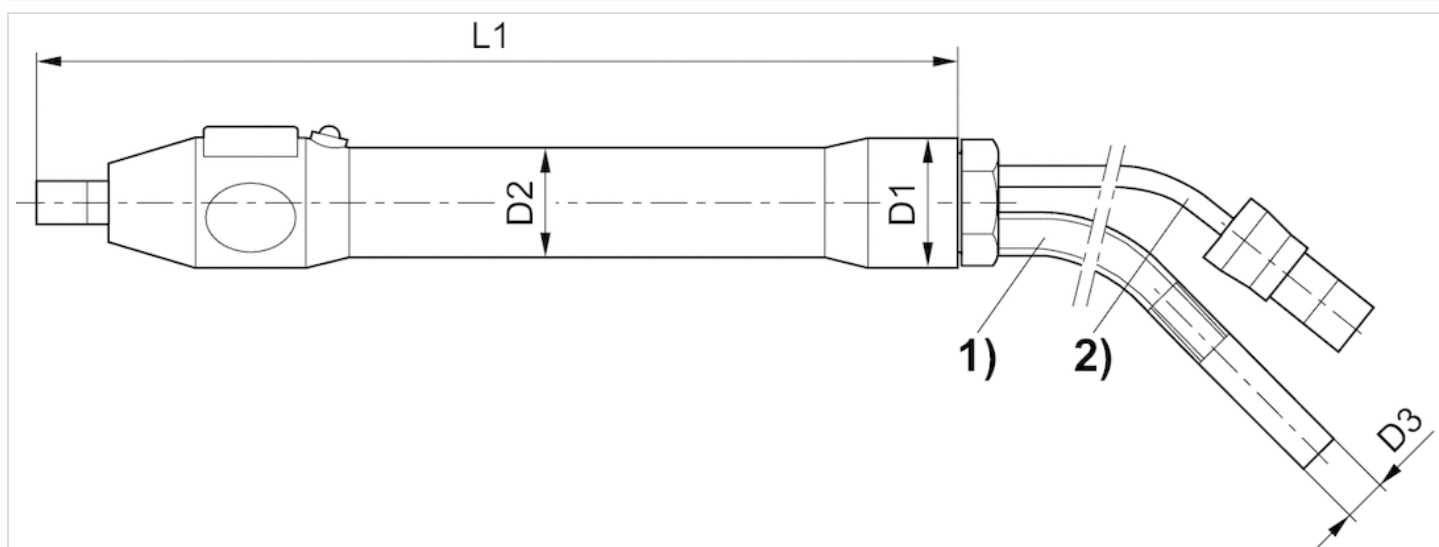
port: air supply Ø 6, exhaust Ø 8, vacuum Ø 6, 2 m network cable

Dimensions

Part No.	B1	B2	H1	H2	H3	H4	H5	L1	L2	L3
0821305060	70	52	190	65	40	35	30	255	92.5	35

Dimensions

Fig. 2 Tweezers



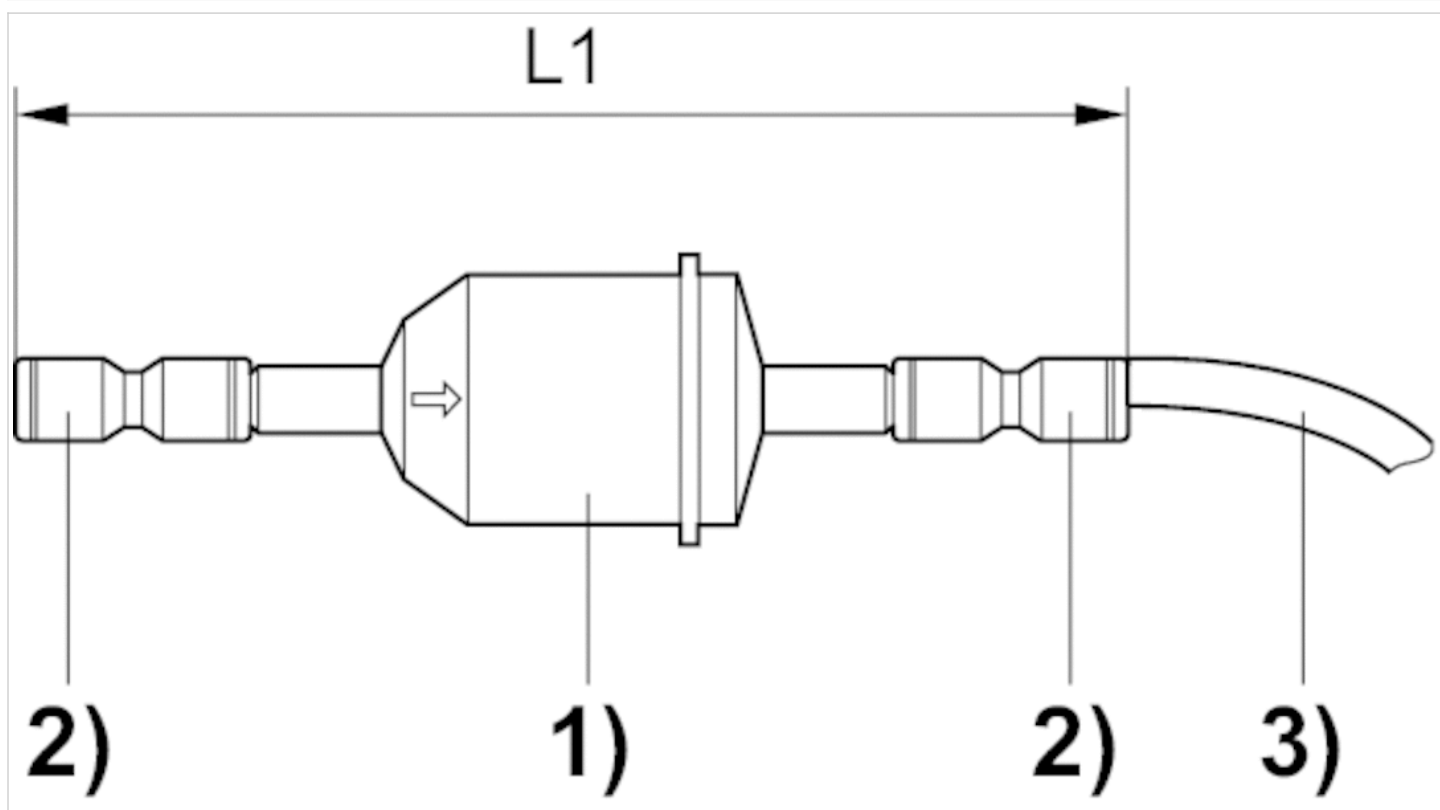
- 1) PVC tubing \varnothing 4x1, transparent
 2) cable/tubing length: 2 m, \pm 0.15 m

Dimensions

Part No.	D1	D2	D3	L1
0821305062	18	15	6	126

Dimensions

Fig. 3 dirt filter



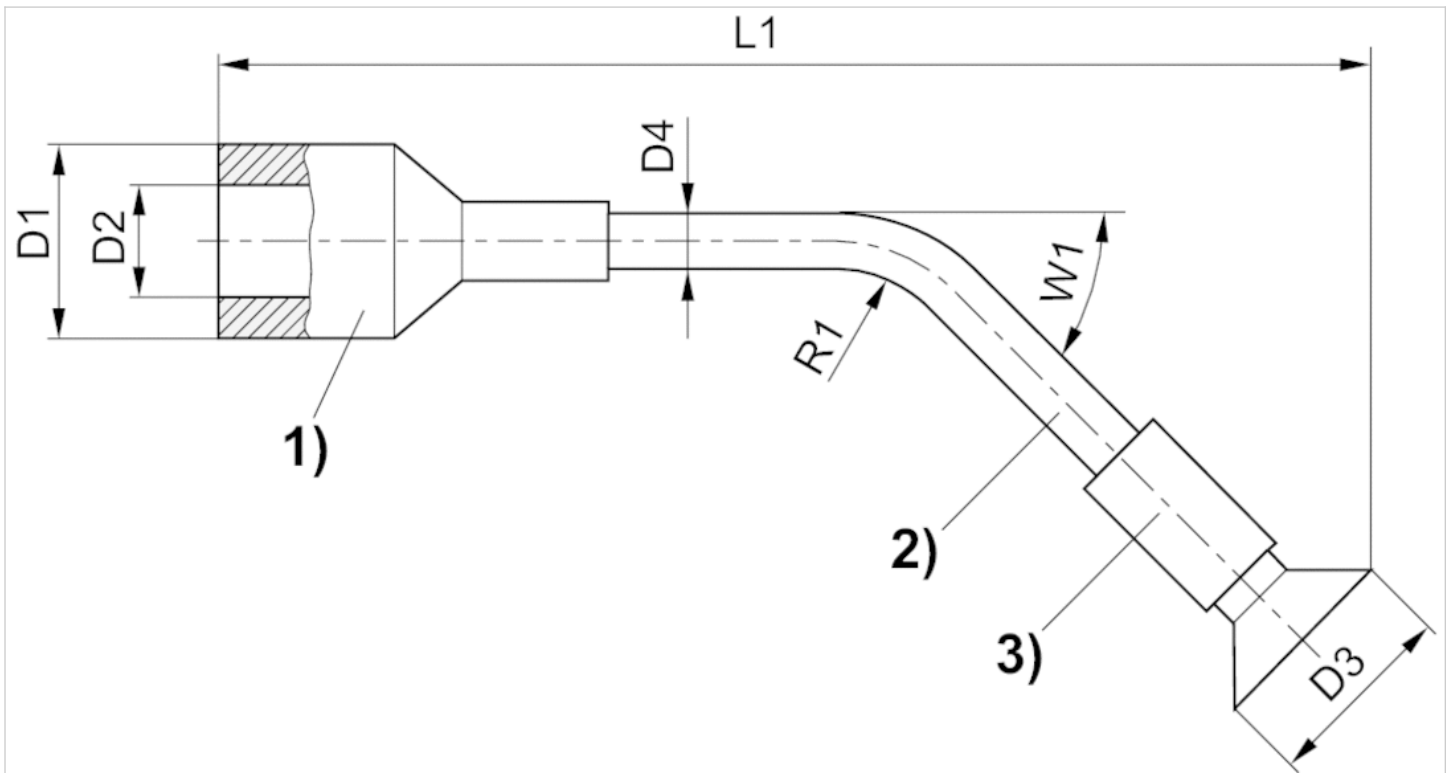
1) Filter
2) Push-in fitting Ø 6 mm, straight
3) PU tube Ø 6 mm, 60 mm long

Dimensions

Part No.	L1
0821305062	135

Dimensions

Fig. 4 suction attachment



1) adapter 2) suction pipe 3) suction cap

Dimensions

Part No.	D1	D2	D3	D4	L1	R1	W1
1827010512	10	5.5	10	3	60	8.5	45°