

## Series QR2-F Heat-resistant

- Straight fitting
- External thread
- M5, G 1/8, G 1/4, G 3/8, G 1/2
- push-in fitting
- Ø 4, Ø 6, Ø 8, Ø 10, Ø 12
- QR2-F-RPN



Working pressure min./max.	-0,95 ... 16 bar
Ambient temperature min./max.	-20 ... 150 °C
Weight	See table below

### Technical data

Part No.	Port G	Port D	Delivery unit	Weight
1823373089	M5	Ø 4	25 piece	0,006 kg
1823373090	M5	Ø 6	25 piece	0,01 kg
1823373091	G 1/8	Ø 4	25 piece	0,005 kg
1823373092	G 1/8	Ø 6	25 piece	0,011 kg
1823373093	G 1/8	Ø 8	25 piece	0,012 kg
1823373094	G 1/4	Ø 4	25 piece	0,012 kg
1823373095	G 1/4	Ø 6	25 piece	0,015 kg
1823373096	G 1/4	Ø 8	10 piece	0,016 kg
1823373097	G 1/4	Ø 10	10 piece	0,026 kg
R412007625	G 1/4	Ø 12	10 piece	0,027 kg
1823373098	G 3/8	Ø 8	10 piece	0,021 kg
1823373099	G 3/8	Ø 10	10 piece	0,028 kg
R412007730	G 1/2	Ø 12	10 piece	0,041 kg

Weight per piece

### Technical information

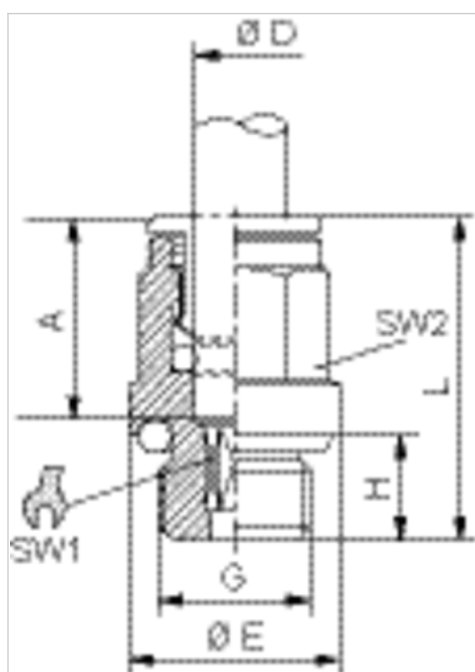
The series QR1 (plastic) and QR2 (metal) can not be combined  
Thread seal with captive O-ring

For further information about assembling and tolerances of adaptable tubing can be found in the "Technical information" document (available in the MediaCentre).

## Technical information

Material	
Housing	Brass, nickel-plated
Seal	Fluorocaoutchouc
Tooth lock washer	Stainless steel
Release ring	Brass, nickel-plated
Thread	Brass, nickel-plated

## Dimensions



## Dimensions

Part No.	Port D	Port G	Ø E	H	L	A*	SW1	SW2
1823373089	Ø 4	M5	9	4	20.5	15	2.5	–
1823373090	Ø 6	M5	10.5	4	22.5	16	2.5	–
1823373091	Ø 4	G 1/8	13.5	6	20	15	2.5	9
1823373092	Ø 6	G 1/8	13.5	6	24	16	4	11
1823373093	Ø 8	G 1/8	13	6	26.5	18	5	13
1823373094	Ø 4	G 1/4	17	8	21	15	2.5	9
1823373095	Ø 6	G 1/4	17	6.5	22.5	15	4	11
1823373096	Ø 8	G 1/4	17	8	25	18	6	13
1823373097	Ø 10	G 1/4	16	8	29.5	19	7	16
R412007625	Ø 12	G 1/4	16	6.5	30	19	7	18
1823373098	Ø 8	G 3/8	20	9	25	18	6	13
1823373099	Ø 10	G 3/8	21	9	29.5	19	8	16
R412007730	Ø 12	G 1/2	24	11	31	20	10	18

\* Insertion depth

# Series QR2-F Heat-resistant

- Straight female stud fitting
- Internal thread
- G 1/8, G 1/4
- push-in fitting
- Ø 4, Ø 6, Ø 8
- QR2-F-RAI



Working pressure min./max.	-0,95 ... 16 bar
Ambient temperature min./max.	-20 ... 150 °C
Weight	See table below

## Technical data

Part No.	Port G	Port D	Delivery unit	Weight
1823391857	G 1/8	Ø 4	10 piece	0,01 kg
1823391858	G 1/8	Ø 6	10 piece	0,011 kg
1823391859	G 1/8	Ø 8	10 piece	0,015 kg
1823391860	G 1/4	Ø 6	10 piece	0,018 kg
1823391861	G 1/4	Ø 8	10 piece	0,02 kg

Weight per piece

## Technical information

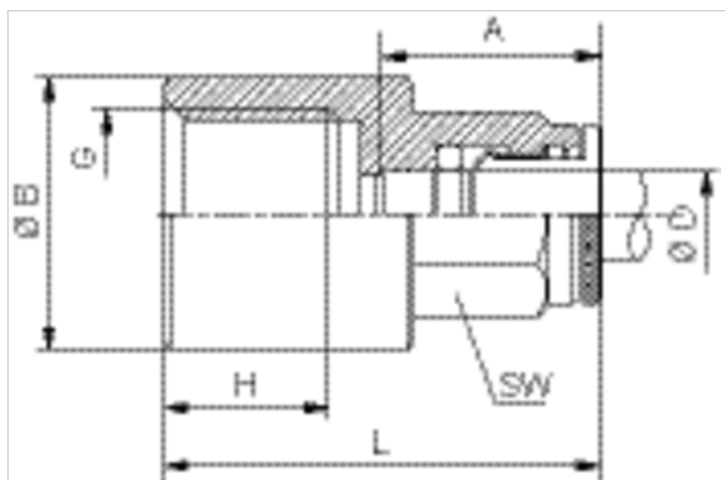
The series QR1 (plastic) and QR2 (metal) can not be combined

For further information about assembling and tolerances of adaptable tubing can be found in the "Technical information" document (available in the MediaCentre).

## Technical information

Material	
Housing	Brass, nickel-plated
Seal	Fluorocaoutchouc
Tooth lock washer	Stainless steel
Release ring	Brass, nickel-plated
Thread	Brass, nickel-plated

## Dimensions



## Dimensions

Part No.	Port D	Port G	Ø B	H	L	A*	SW
1823391857	Ø 4	G 1/8	11	6	26.5	15	9
1823391858	Ø 6	G 1/8	11	6	27	16	11
1823391859	Ø 8	G 1/8	11	6	28	18	13
1823391860	Ø 6	G 1/4	16	10	31	16	11
1823391861	Ø 8	G 1/4	16	10	32	18	13

\* Insertion depth

## Series QR2-F Heat-resistant

- Elbow fitting, rotatable
- External thread
- M5, G 1/8, G 1/4, G 3/8, G 1/2
- push-in fitting
- Ø 4, Ø 6, Ø 8, Ø 10, Ø 12
- QR2-F-RVT



Working pressure min./max.	-0,95 ... 16 bar
Ambient temperature min./max.	-20 ... 150 °C
Weight	See table below

### Technical data

Part No.	Port G	Port D	Delivery unit	Weight
1823391870	M5	Ø 4	10 piece	0,015 kg
R412007681	M5	Ø 6	10 piece	0,012 kg
1823391871	G 1/8	Ø 4	10 piece	0,018 kg
1823391872	G 1/8	Ø 6	10 piece	0,02 kg
1823391873	G 1/8	Ø 8	10 piece	0,022 kg
1823391874	G 1/4	Ø 6	10 piece	0,025 kg
1823391875	G 1/4	Ø 8	10 piece	0,027 kg
1823391876	G 1/4	Ø 10	10 piece	0,031 kg
R412007624	G 1/4	Ø 12	5 piece	0,058 kg
1823391877	G 3/8	Ø 8	5 piece	0,042 kg
1823391878	G 3/8	Ø 10	5 piece	0,042 kg
R412007623	G 3/8	Ø 12	5 piece	0,059 kg
R412007731	G 1/2	Ø 12	5 piece	0,07 kg

Weight per piece

### Technical information

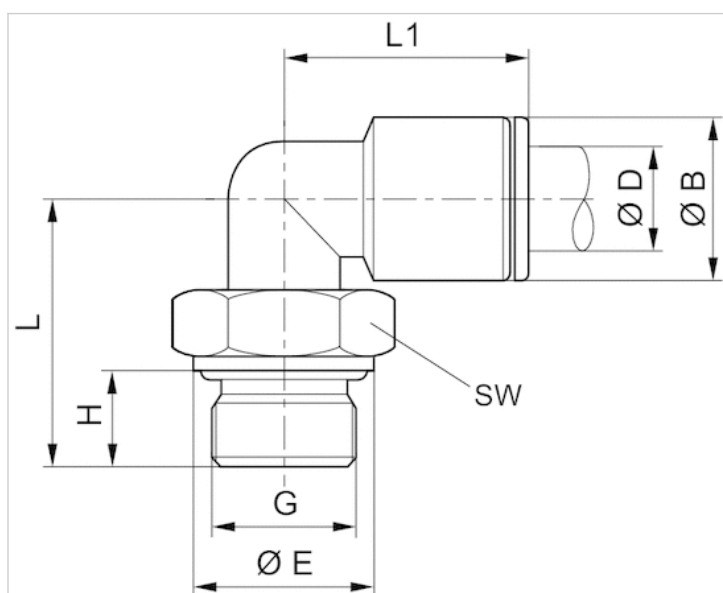
The series QR1 (plastic) and QR2 (metal) can not be combined  
Thread seal with captive O-ring

For further information about assembling and tolerances of adaptable tubing can be found in the "Technical information" document (available in the MediaCentre).

## Technical information

Material	
Housing	Brass, nickel-plated
Seal	Fluorocaoutchouc
Tooth lock washer	Stainless steel
Release ring	Brass, nickel-plated
Thread	Brass, nickel-plated

## Dimensions



## Dimensions

Part No.	Port D	Port G	Ø B	Ø E	H	L	L1	A*	SW
1823391870	Ø 4	M5	9	8	4	15.1	18.2	14	9
R412007681	Ø 6	M5	11	8	4	14.5	21	16	9
1823391871	Ø 4	G 1/8	9	13	6	20	19	15	13
1823391872	Ø 6	G 1/8	11	13	6	20	21	16	13
1823391873	Ø 8	G 1/8	13	13	6	20	23	16	13
1823391874	Ø 6	G 1/4	11	16	8	24	21	18	13
1823391875	Ø 8	G 1/4	13	16	8	24	24	18	13
1823391876	Ø 10	G 1/4	15	16	8	24	27	19	16
R412007624	Ø 12	G 1/4	17	16	8	28.5	28	20	16
1823391877	Ø 8	G 3/8	13	20	9	25.5	24	18	13
1823391878	Ø 10	G 3/8	15	20	9	28	27	19	16
R412007623	Ø 12	G 3/8	17	20	9	28.5	28	20	20
R412007731	Ø 12	G 1/2	17	25	11	33.5	28	20	20

\* Insertion depth

## Series QR2-F Heat-resistant

- 1x banjo union
- Internal thread
- M5, G 1/8, G 1/4
- push-in fitting
- Ø 4, Ø 6, Ø 8, Ø 10
- QR2-F-RW1



Working pressure min./max.	-0,95 ... 16 bar
Ambient temperature min./max.	-20 ... 150 °C
Weight	See table below

### Technical data

Part No.	Port G	Port D	Delivery unit	Weight
1823391862	M5	Ø 4	10 piece	0,007 kg
1823391863	G 1/8	Ø 4	10 piece	0,01 kg
1823391864	G 1/8	Ø 6	10 piece	0,013 kg
1823391865	G 1/8	Ø 8	10 piece	0,018 kg
1823391866	G 1/4	Ø 6	10 piece	0,018 kg
1823391867	G 1/4	Ø 8	10 piece	0,021 kg
1823391868	G 1/4	Ø 10	5 piece	0,025 kg

Weight per piece

### Technical information

The series QR1 (plastic) and QR2 (metal) can not be combined

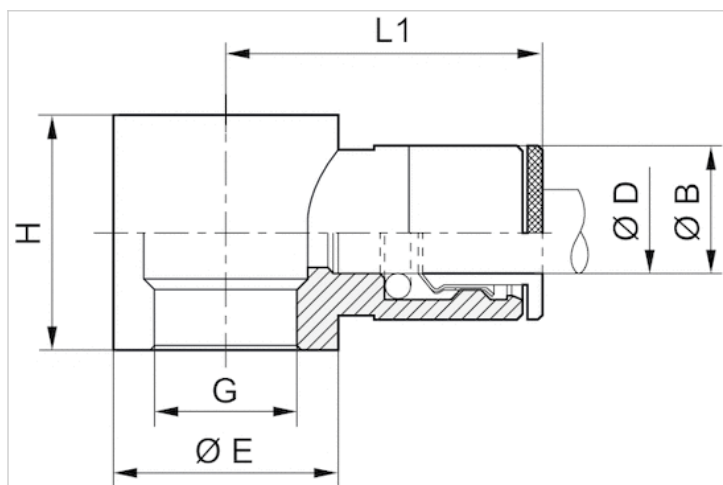
For further information about assembling and tolerances of adaptable tubing can be found in the "Technical information" document (available in the MediaCentre).

### Technical information

Material	
Housing	Brass, nickel-plated
Seal	Fluorocaoutchouc
Tooth lock washer	Stainless steel
Release ring	Brass, nickel-plated



## Dimensions



## Dimensions

Part No.	Port D	Port G	Ø B	Ø E	H	L1
1823391862	Ø 4	M5	9	7	9	18.5
1823391863	Ø 4	G 1/8	9	14	15	21
1823391864	Ø 6	G 1/8	11	14	15	23
1823391865	Ø 8	G 1/8	13	14	15	24.5
1823391866	Ø 6	G 1/4	11	18	17	24
1823391867	Ø 8	G 1/4	13	18	17	26
1823391868	Ø 10	G 1/4	15	18	17	27

## Series QR2-F Heat-resistant

- Bulkhead push-in fitting, metal
- push-in fitting
- Ø 6, Ø 8, Ø 10, Ø 12
- push-in fitting
- Ø 6, Ø 8, Ø 10, Ø 12
- QR2-F-RSM



Working pressure min./max. -0,95 ... 16 bar  
 Ambient temperature min./max. -20 ... 150 °C

### Technical data

Part No.	Port G	Port D	Delivery unit
R412007629	Ø 6	Ø 6	10 piece
R412007628	Ø 8	Ø 8	10 piece
R412007627	Ø 10	Ø 10	10 piece
R412007626	Ø 12	Ø 12	5 piece

Weight per piece

### Technical information

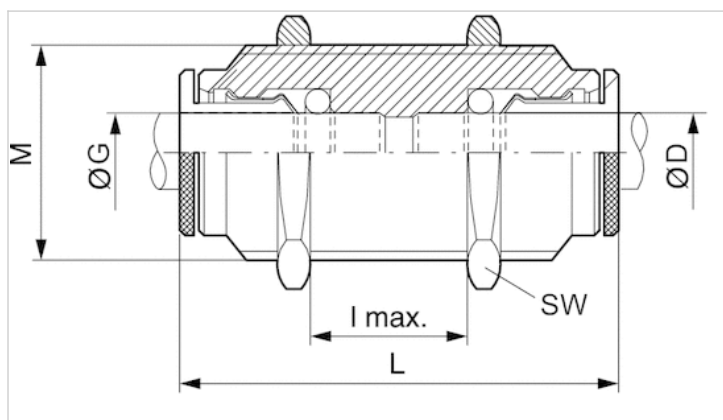
The series QR1 (plastic) and QR2 (metal) can not be combined

For further information about assembling and tolerances of adaptable tubing can be found in the "Technical information" document (available in the MediaCentre).

### Technical information

Material	
Housing	Brass, nickel-plated
Seal	Fluorocaoutchouc
Tooth lock washer	Stainless steel
Release ring	Brass, nickel-plated
Thread	Brass, nickel-plated

## Dimensions



## Dimensions

Part No.	Port D	Port G	M	l 1)	L	SW
R412007629	Ø 6	Ø 6	M14x1	8	33.5	17
R412007628	Ø 8	Ø 8	M16x1	10	37	18
R412007627	Ø 10	Ø 10	M17x1	12	39.5	20
R412007626	Ø 12	Ø 12	M20x1	17	42	24

1) Max.

# Series QR2-F Heat-resistant

- Straight plug connector
- push-in fitting
- Ø 4, Ø 6, Ø 8, Ø 10
- push-in fitting
- Ø 4, Ø 6, Ø 8, Ø 10
- QR2-F-RSK



Working pressure min./max.	-0,95 ... 16 bar
Ambient temperature min./max.	-20 ... 150 °C
Weight	See table below

## Technical data

Part No.	Port G	Port D	Delivery unit	Weight
1823386100	Ø 4	Ø 4	10 piece	0,012 kg
1823386101	Ø 6	Ø 6	10 piece	0,016 kg
1823386102	Ø 8	Ø 8	10 piece	0,023 kg
1823386103	Ø 10	Ø 10	10 piece	0,043 kg

Weight per piece

## Technical information

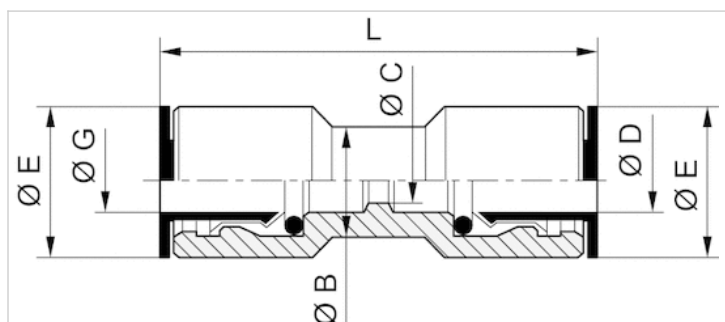
The series QR1 (plastic) and QR2 (metal) can not be combined

For further information about assembling and tolerances of adaptable tubing can be found in the "Technical information" document (available in the MediaCentre).

## Technical information

Material	
Housing	Brass, nickel-plated
Seal	Fluorocaoutchouc
Tooth lock washer	Stainless steel
Release ring	Brass, nickel-plated

## Dimensions



## Dimensions

Part No.	Port D	Port G	Ø B	Ø C	Ø E	L
1823386100	Ø 4	Ø 4	7	3	9	30
1823386101	Ø 6	Ø 6	10	5	11	31.5
1823386102	Ø 8	Ø 8	12	7	13	36
1823386103	Ø 10	Ø 10	13	9	15	37

## Series QR2-F Heat-resistant

- Angled plug connector
- push-in fitting
- Ø 4, Ø 6, Ø 8, Ø 10
- push-in fitting
- Ø 4, Ø 6, Ø 8, Ø 10
- QR2-F-RVK



Working pressure min./max.	-0,95 ... 16 bar
Ambient temperature min./max.	-20 ... 150 °C
Weight	See table below

### Technical data

Part No.	Port G	Port D	Delivery unit	Weight
1823380019	Ø 4	Ø 4	10 piece	0,01 kg
1823380020	Ø 6	Ø 6	10 piece	0,012 kg
1823380021	Ø 8	Ø 8	10 piece	0,021 kg
1823380022	Ø 10	Ø 10	10 piece	0,033 kg

Weight per piece

### Technical information

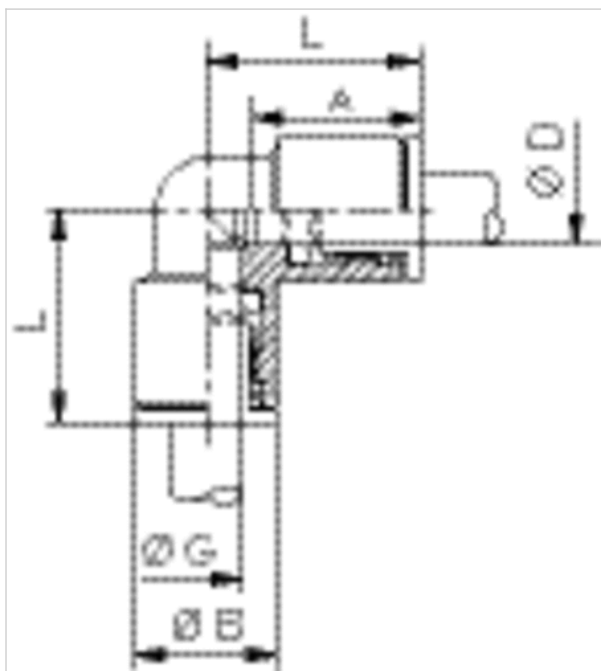
The series QR1 (plastic) and QR2 (metal) can not be combined

For further information about assembling and tolerances of adaptable tubing can be found in the "Technical information" document (available in the MediaCentre).

### Technical information

Material	
Housing	Brass, nickel-plated
Seal	Fluorocaoutchouc
Tooth lock washer	Stainless steel
Release ring	Brass, nickel-plated

## Dimensions



## Dimensions

Part No.	Port D	Port G	Ø B	L	A*
1823380019	Ø 4	Ø 4	9	17.5	14
1823380020	Ø 6	Ø 6	11	19.5	16
1823380021	Ø 8	Ø 8	13	23	18
1823380022	Ø 10	Ø 10	15	25	19

\* Insertion depth

## Series QR2-F Heat-resistant

- T-plug connector
- push-in fitting
- Ø 4, Ø 6, Ø 8, Ø 10, Ø 12
- push-in fitting
- Ø 4, Ø 6, Ø 8, Ø 10, Ø 12
- QR2-F-RTK



Working pressure min./max.	-0,95 ... 16 bar
Ambient temperature min./max.	-20 ... 150 °C
Weight	See table below

### Technical data

Part No.	Port G	Port D	Delivery unit	Weight
1823381050	Ø 4	Ø 4	10 piece	0,013 kg
1823381051	Ø 6	Ø 6	10 piece	0,015 kg
1823381052	Ø 8	Ø 8	10 piece	0,023 kg
1823381053	Ø 10	Ø 10	10 piece	0,048 kg
R412007732	Ø 12	Ø 12	10 piece	0,051 kg

Weight per piece

### Technical information

The series QR1 (plastic) and QR2 (metal) can not be combined

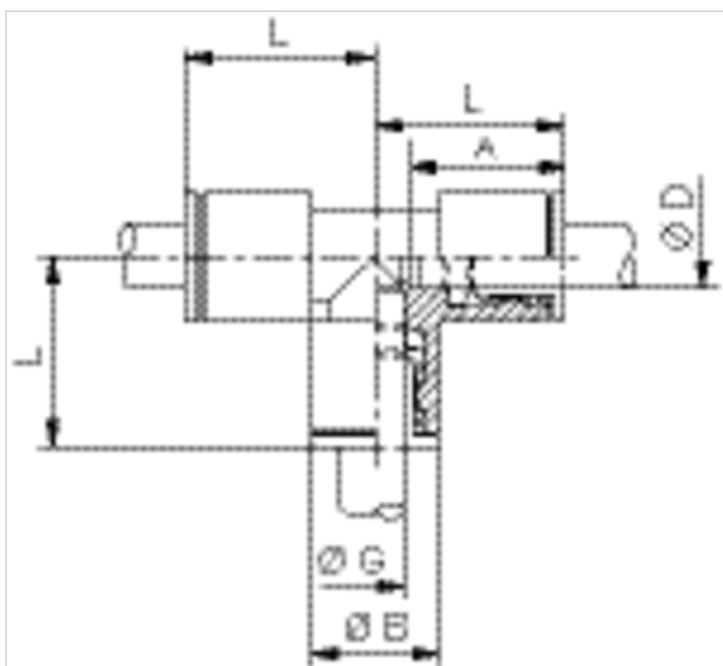
For further information about assembling and tolerances of adaptable tubing can be found in the "Technical information" document (available in the MediaCentre).

### Technical information

Material	
Housing	Brass, nickel-plated
Seal	Fluorocaoutchouc
Tooth lock washer	Stainless steel
Release ring	Brass, nickel-plated



## Dimensions



## Dimensions

Part No.	Port D	Port G	Ø B	L	A*
1823381050	Ø 4	Ø 4	9	17.5	15
1823381051	Ø 6	Ø 6	11	19.5	16
1823381052	Ø 8	Ø 8	13	23	18
1823381053	Ø 10	Ø 10	15	25	19
R412007732	Ø 12	Ø 12	17	27	20

\* Insertion depth

## Series QR2-F Heat-resistant

- Straight push-in fitting, reducing
- push-in fitting
- Ø 6
- pin bushing
- Ø 8, Ø 10
- QR2-F-RED



Working pressure min./max. -0,95 ... 16 bar  
 Ambient temperature min./max. -20 ... 150 °C  
 Weight See table below

### Technical data

Part No.	Port G	Port D	Delivery unit	Weight
R412007682	Ø 6	Ø 8	10 piece	0,01 kg
R412007683	Ø 6	Ø 10	10 piece	0,016 kg

Weight per piece

### Technical information

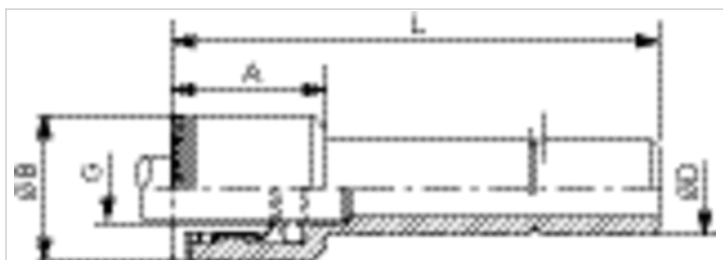
The series QR1 (plastic) and QR2 (metal) can not be combined

For further information about assembling and tolerances of adaptable tubing can be found in the "Technical information" document (available in the MediaCentre).

### Technical information

Material	
Housing	Brass, nickel-plated
Seal	Fluorocaoutchouc
Tooth lock washer	Stainless steel
Release ring	Brass, nickel-plated

## Dimensions



## Dimensions

Part No.	Port D	Port G	L	Ø B	A*
R412007682	Ø 8	Ø 6	33.5	11	16
R412007683	Ø 10	Ø 6	36.5	11	16

\* Insertion depth