

Series NU1

- tube nut
- M10x1, M12x1
- Ø 6, Ø 8
- NU1-S-RNU



Working pressure min./max.	0 ... 10 bar
Ambient temperature min./max.	-10 ... 60 °C
Weight	0,002 kg

Technical data

Part No.	Port G	Port D	Delivery unit
1823313002	M10x1	Ø 6	50 piece
1823313003	M12x1	Ø 8	50 piece

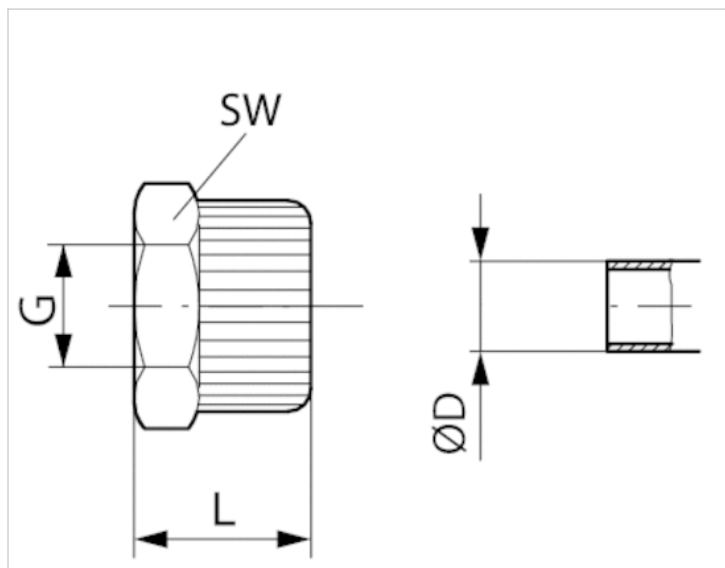
Technical information

For further information about assembling and tolerances of adaptable tubing can be found in the "Technical information" document (available in the MediaCentre).

Technical information

Material	
Housing	Polyoxymethylene

Dimensions



Dimensions

Part No.	G	ØD	L	SW
1823313002	M10x1	6	13	12
1823313003	M12x1	8	13	14

Connection D = inside diameter of the tubing to be used

Series NU1

- Straight fitting
- G 1/8, G 1/4, G 3/8
- Ø 4, Ø 6, Ø 9
- NU1-S-RPN



Working pressure min./max.

0 ... 10 bar

Ambient temperature min./max.

-10 ... 60 °C

Weight

See table below

Technical data

Part No.	Port G	Port D	Delivery unit	Weight
1823391037	G 1/8	Ø 4	25 piece	0,004 kg
1823391038	G 1/8	Ø 6	25 piece	0,005 kg
1823391039	G 1/4	Ø 4	25 piece	0,005 kg
1823391044	G 1/4	Ø 6	25 piece	0,006 kg
1823391267	G 1/4	Ø 9	25 piece	0,007 kg
1823391263	G 3/8	Ø 6	25 piece	0,006 kg
1823391268	G 3/8	Ø 9	10 piece	0,006 kg

Weight per piece

Technical information

For further information about assembling and tolerances of adaptable tubing can be found in the "Technical information" document (available in the MediaCentre).

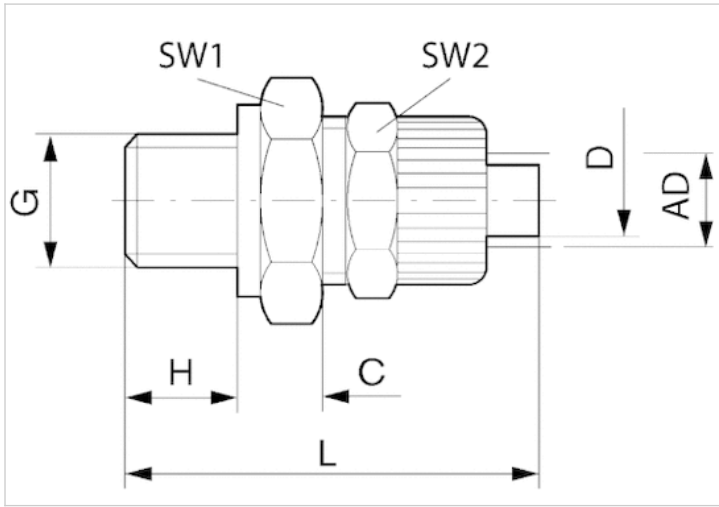
Technical information

Material

Housing

Polyoxymethylene

Dimensions



Dimensions

Part No.	Port D	Port G	C	H	L	SW 1	SW 2	AD 1)
1823391037	Ø 4	G 1/8	6	6.5	28.5	14	12	6.2
1823391038	Ø 6	G 1/8	5	6.5	28.5	14	14	8.2
1823391039	Ø 4	G 1/4	6.8	8.5	31.3	17	12	6.2
1823391044	Ø 6	G 1/4	5.8	8.5	31.3	17	14	8.2
1823391267	Ø 9	G 1/4	7.1	8.1	33.7	17	19	12.4
1823391263	Ø 6	G 3/8	7.4	10	34.4	19	14	8.2
1823391268	Ø 9	G 3/8	6.6	10	35.1	19	19	12.4

Connection D = inside diameter of the tubing to be used

1) AD = external diameter of the tubing to be used

Series NU1

- bulkhead connector
- Ø 4, Ø 6, Ø 9
- Ø 4, Ø 6, Ø 9
- NU1-S-RSC



Working pressure min./max.

0 ... 10 bar

Ambient temperature min./max.

-10 ... 60 °C

Weight

See table below

Technical data

Part No.	Port G	Port D	Delivery unit	Weight
1823391277	Ø 4	Ø 4	10 piece	0,013 kg
1823391278	Ø 6	Ø 6	10 piece	0,015 kg
1823391279	Ø 9	Ø 9	10 piece	0,019 kg

Weight per piece

Technical information

For further information about assembling and tolerances of adaptable tubing can be found in the "Technical information" document (available in the MediaCentre).

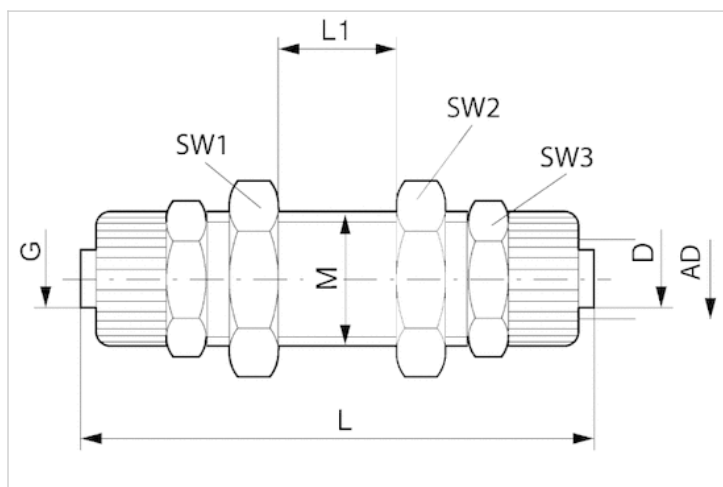
Technical information

Material

Housing

Polyoxymethylene

Dimensions



Dimensions

Part No.	Port D	Port G	L	L1 1)	M	SW 1	SW 2	SW 3	AD 2)
1823391277	Ø 4	Ø 4	51.4	10	M10x1	14	14	12	6
1823391278	Ø 6	Ø 6	51.4	10	M12x1	17	17	14	8
1823391279	Ø 9	Ø 9	64	10	M16x1	22	22	19	12

1) Max.

2) AD = external diameter of the tubing to be used

Connection D = inside diameter of the tubing to be used

Series NU1

- T-connector
- Ø 4, Ø 6, Ø 9
- Ø 4, Ø 6, Ø 9
- NU1-S-RTK



Working pressure min./max.

0 ... 10 bar

Ambient temperature min./max.

-10 ... 60 °C

Weight

See table below

Technical data

Part No.	Port G	Port D	Delivery unit	Weight
1823391118	Ø 4	Ø 4	10 piece	0,013 kg
1823391119	Ø 6	Ø 6	10 piece	0,013 kg
1823391275	Ø 9	Ø 9	10 piece	0,019 kg

Weight per piece

Technical information

For further information about assembling and tolerances of adaptable tubing can be found in the "Technical information" document (available in the MediaCentre).

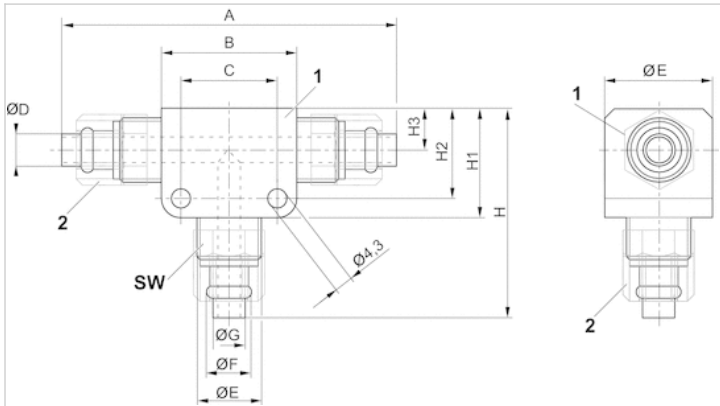
Technical information

Material

Housing

Polyoxymethylene

Dimensions



- 1) T-connector
- 2) tube nut

Dimensions

Part No.	Port D	Port G	A	B	C	ØE	ØF	H	H1	H2	H3	SW
1823391118	Ø 4	Ø 4	52	20	12	M10x1	5.5	32	15.8	12	6	12
1823391119	Ø 6	Ø 6	52	20	12	M12x1	7.3	34	18	14	8	14
1823391275	Ø 9	Ø 9	63	25	15.5	M16x1	10.2	40	21.3	16.5	8	19

Connection D = inside diameter of the tubing to be used

Series NU1

- T-Banjo connection
- External thread
- G 1/8, G 1/4
- plug-in with tube nut
- Ø 4, Ø 6
- NU1-S-RTS



Working pressure min./max.

0 ... 10 bar

Ambient temperature min./max.

-10 ... 60 °C

Weight

See table below

Technical data

Part No.	Port G	Port D	Delivery unit	Weight
1823391106	G 1/8	Ø 4	10 piece	0,014 kg
1823391107	G 1/8	Ø 6	10 piece	0,014 kg
1823391108	G 1/4	Ø 4	10 piece	0,019 kg
1823391109	G 1/4	Ø 6	10 piece	0,019 kg

Weight per piece

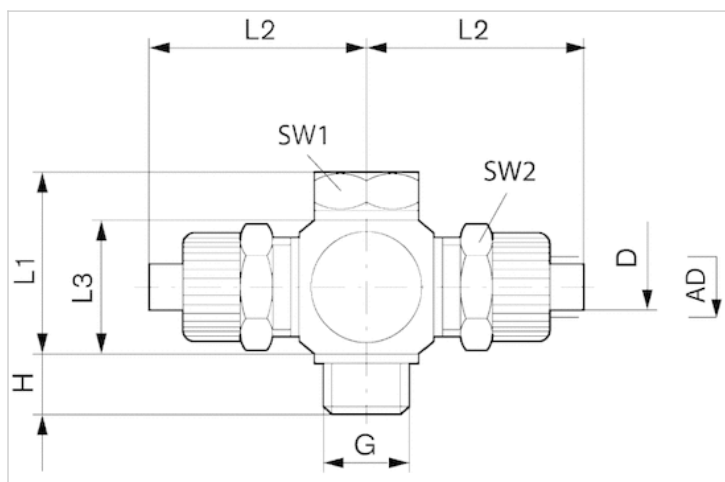
Technical information

For further information about assembling and tolerances of adaptable tubing can be found in the "Technical information" document (available in the MediaCentre).

Technical information

Material	
Housing	Polyoxymethylene

Dimensions



Dimensions

Part No.	Port D	Port G	H	L1	L2	L3	SW 1	SW 2	AD 1)
1823391106	Ø 4	G 1/8	7	20.5	25	16.3	14	12	6
1823391107	Ø 6	G 1/8	7	20.5	25	16.3	14	14	8
1823391108	Ø 4	G 1/4	7.5	21.5	27	16.3	17	12	6
1823391109	Ø 6	G 1/4	7.5	21.5	27	16.3	17	14	8

Connection D = inside diameter of the tubing to be used

1) AD = external diameter of the tubing to be used

Series NU1

- 2x banjo union
- G 1/8, G 1/4
- Ø 4, Ø 6
- NU1-S-RT1



Working pressure min./max.

0 ... 10 bar

Ambient temperature min./max.

-10 ... 60 °C

Technical data

Part No.	Port G	Port D	Delivery unit
1823391114	G 1/8	Ø 4	10 piece
1823391115	G 1/8	Ø 6	10 piece
1823391116	G 1/4	Ø 4	10 piece
1823391117	G 1/4	Ø 6	10 piece

Technical information

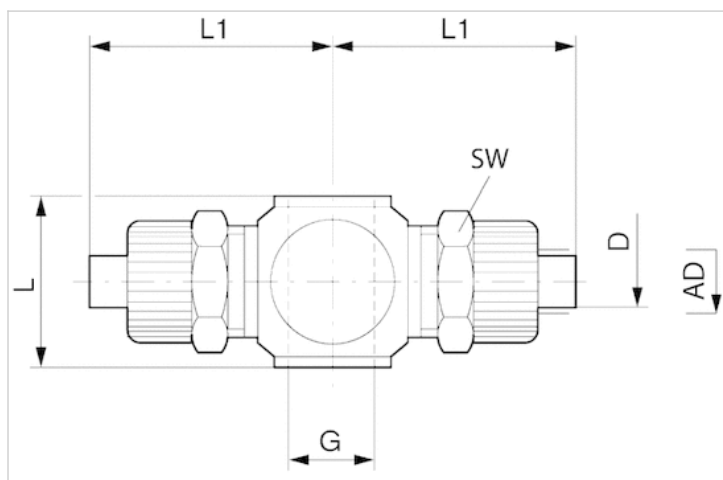
For further information about assembling and tolerances of adaptable tubing can be found in the "Technical information" document (available in the MediaCentre).

Technical information

Material	
Housing	Polyoxymethylene

Dimensions

Dimensions



Dimensions

Part No.	Port D	Port G	L	L1	SW	AD 1)
1823391114	Ø 4	G 1/8	16.5	23.5	12	6.2
1823391115	Ø 6	G 1/8	16.5	24.5	14	8.2
1823391116	Ø 4	G 1/4	16.5	25.5	12	6.2
1823391117	Ø 6	G 1/4	16.5	26.5	14	8.2

Connection D = inside diameter of the tubing to be used

1) AD = external diameter of the tubing to be used

Series NU1

- Elbow fitting
- R 1/8, R 1/4
- Ø 4, Ø 6, Ø 9
- NU1-S-RVT



Working pressure min./max.

0 ... 10 bar

Ambient temperature min./max.

-10 ... 60 °C

Weight

See table below

Technical data

Part No.	Port G	Port D	Delivery unit	Weight
1823391269	R 1/8	Ø 4	10 piece	0,004 kg
1823391270	R 1/8	Ø 6	10 piece	0,004 kg
1823391271	R 1/4	Ø 4	10 piece	0,005 kg
1823391272	R 1/4	Ø 6	10 piece	0,005 kg
1823391273	R 1/4	Ø 9	10 piece	0,009 kg

Weight per piece

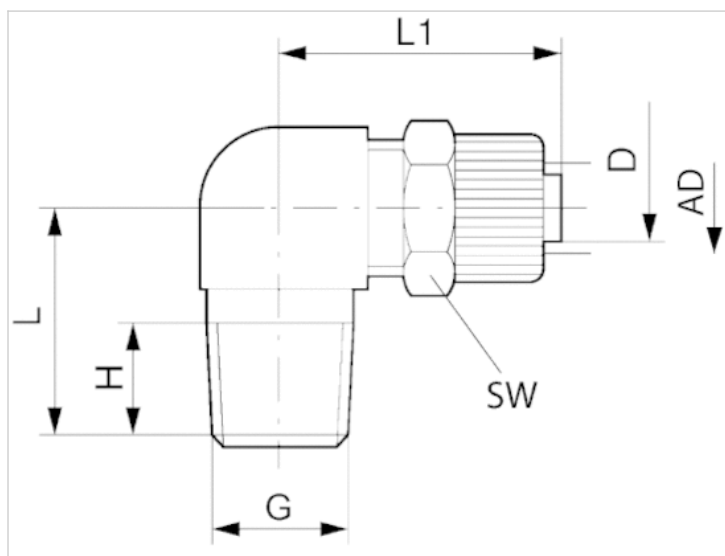
Technical information

For further information about assembling and tolerances of adaptable tubing can be found in the "Technical information" document (available in the MediaCentre).

Technical information

Material	
Housing	Polyoxymethylene

Dimensions



Dimensions

Part No.	Port D	Port G	H	L	L1	SW	AD 1)
1823391269	Ø 4	R 1/8	8	17.5	22	12	6.2
1823391270	Ø 6	R 1/8	8	17.5	22	14	8.2
1823391271	Ø 4	R 1/4	11	21	24	12	6.2
1823391272	Ø 6	R 1/4	11	21	24	14	8.2
1823391273	Ø 9	R 1/4	11	24	26	19	12.4

Connection D = inside diameter of the tubing to be used

1) AD = external diameter of the tubing to be used

Series NU1

- 1x banjo union
- G 1/8, G 1/4
- Ø 4, Ø 6
- NU1-S-RV1



Working pressure min./max.

0 ... 10 bar

Ambient temperature min./max.

-10 ... 60 °C

Technical data

Part No.	Port G	Port D	Delivery unit
1823391110	G 1/8	Ø 4	25 piece
1823391111	G 1/8	Ø 6	25 piece
1823391112	G 1/4	Ø 4	25 piece
1823391113	G 1/4	Ø 6	25 piece

Technical information

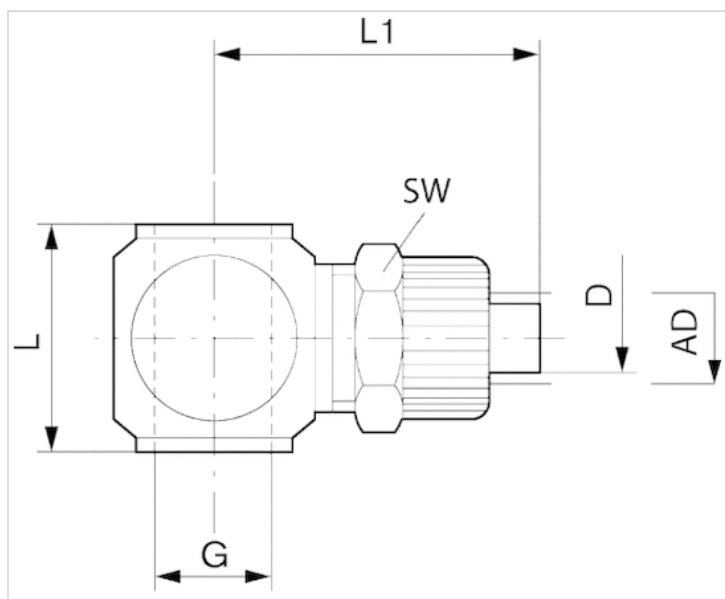
For further information about assembling and tolerances of adaptable tubing can be found in the "Technical information" document (available in the MediaCentre).

Technical information

Material	
Housing	Polyoxymethylene

Dimensions

Dimensions



Dimensions

Part No.	Port D	Port G	L	L1	SW	AD 1)
1823391110	Ø 4	G 1/8	16.3	24.5	12	4
1823391111	Ø 6	G 1/8	16.3	24.5	14	6
1823391112	Ø 4	G 1/4	16.3	26.5	12	4
1823391113	Ø 6	G 1/4	16.3	26.5	14	6

Connection D = inside diameter of the tubing to be used

1) AD = external diameter of the tubing to be used

Series NU1

- Swivel banjo connection 1-fold
- External thread
- G 1/8, G 1/4
- plug-in with tube nut
- Ø 4, Ø 6
- NU1-S-RW1



Working pressure min./max.

0 ... 10 bar

Ambient temperature min./max.

-10 ... 60 °C

Weight

See table below

Technical data

Part No.	Port G	Port D	Delivery unit	Weight
1823391102	G 1/8	Ø 4	10 piece	0,011 kg
1823391103	G 1/8	Ø 6	10 piece	0,001 kg
1823391104	G 1/4	Ø 4	10 piece	0,016 kg
1823391105	G 1/4	Ø 6	10 piece	0,016 kg

Weight per piece

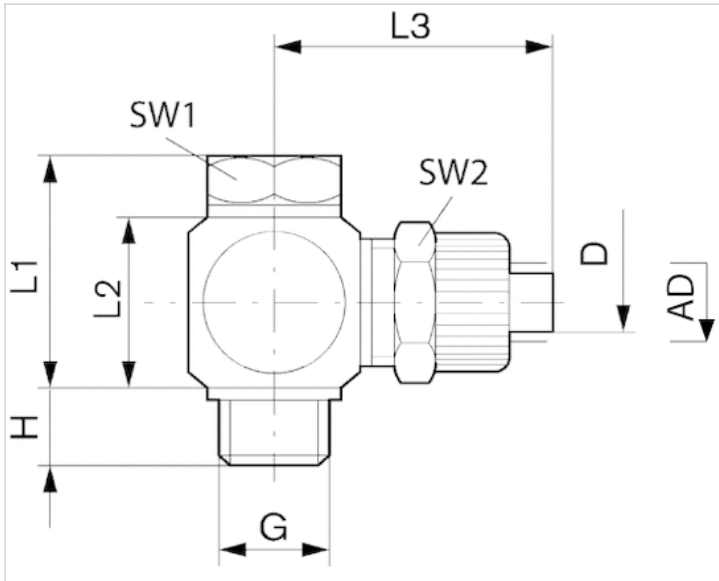
Technical information

For further information about assembling and tolerances of adaptable tubing can be found in the "Technical information" document (available in the MediaCentre).

Technical information

Material	
Housing	Polyoxymethylene

Dimensions



Dimensions

Part No.	Port D	Port G	H	L1	L2	L3	SW 1	SW 2	AD 1)
1823391102	Ø 4	G 1/8	7.7	20.2	16.3	24.5	14	12	6
1823391103	Ø 6	G 1/8	7.7	20.2	16.3	24.5	14	14	8
1823391104	Ø 4	G 1/4	8.8	21	16.3	26.5	17	12	6
1823391105	Ø 6	G 1/4	8.8	21	16.3	26.5	17	14	8

Connection D = inside diameter of the tubing to be used

1) AD = external diameter of the tubing to be used