

Valve plug connector, series CON-VP

- Socket, form A, 2+E, angled, 90°
- open cable ends, 3-pin
- with cable
- unshielded



Ambient temperature min./max.	-20 ... 80 °C
Operationalvoltage	See table below
Protection class	IP67
Wire cross-section	0,75 mm ²
Mounting screw tightening torque	0,4 Nm
Weight	See table below

Technical data

Part No.		Operationalvoltage	Protective circuit	Contact assignment	LED status display
1834484160		230 V, AC/DC	-	2+E	-
1834484162		24 V, AC/DC	Z-diode	2+E	Yellow
1834484163		24 V, AC/DC	Z-diode	2+E	Yellow
1834484164		230 V, AC/DC	Varistor	2+E	Red
1834484165		230 V, AC/DC	Varistor	2+E	Red

Part No.	Number of wires	Cable-Ø	Cable length	Weight	Fig.	
1834484160	3	5,9 mm	3 m	0,2 kg	Fig. 1	1)
1834484162	3	5,9 mm	3 m	0,2 kg	Fig. 2	-
1834484163	3	5,9 mm	5 m	0,31 kg	Fig. 2	-
1834484164	3	5,9 mm	3 m	0,2 kg	Fig. 2	-
1834484165	3	5,9 mm	5 m	0,31 kg	Fig. 2	-

1) Scope of delivery incl. flat gasket

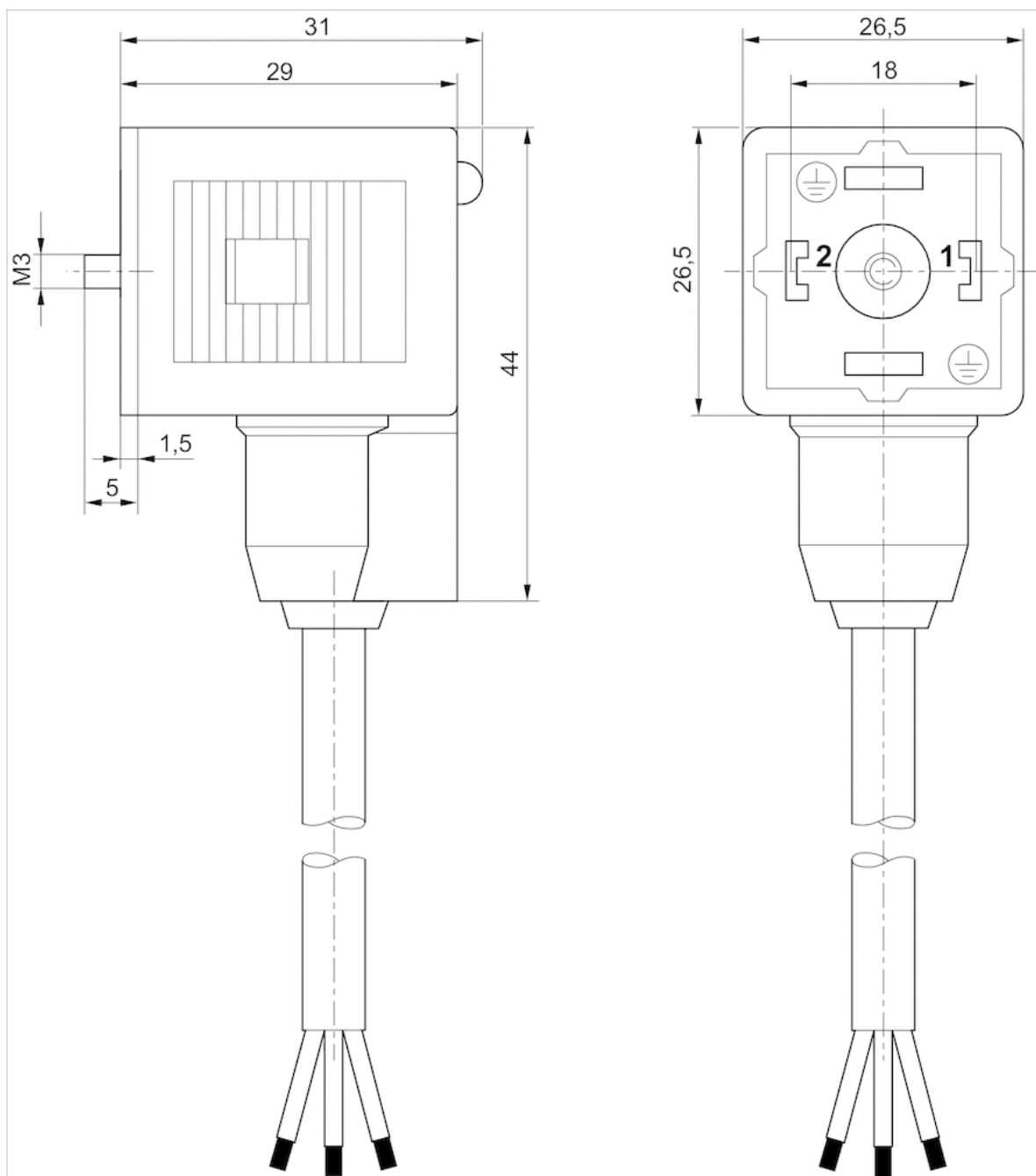
Technical information

The specified protection class is only valid in assembled and tested state.

Technical information

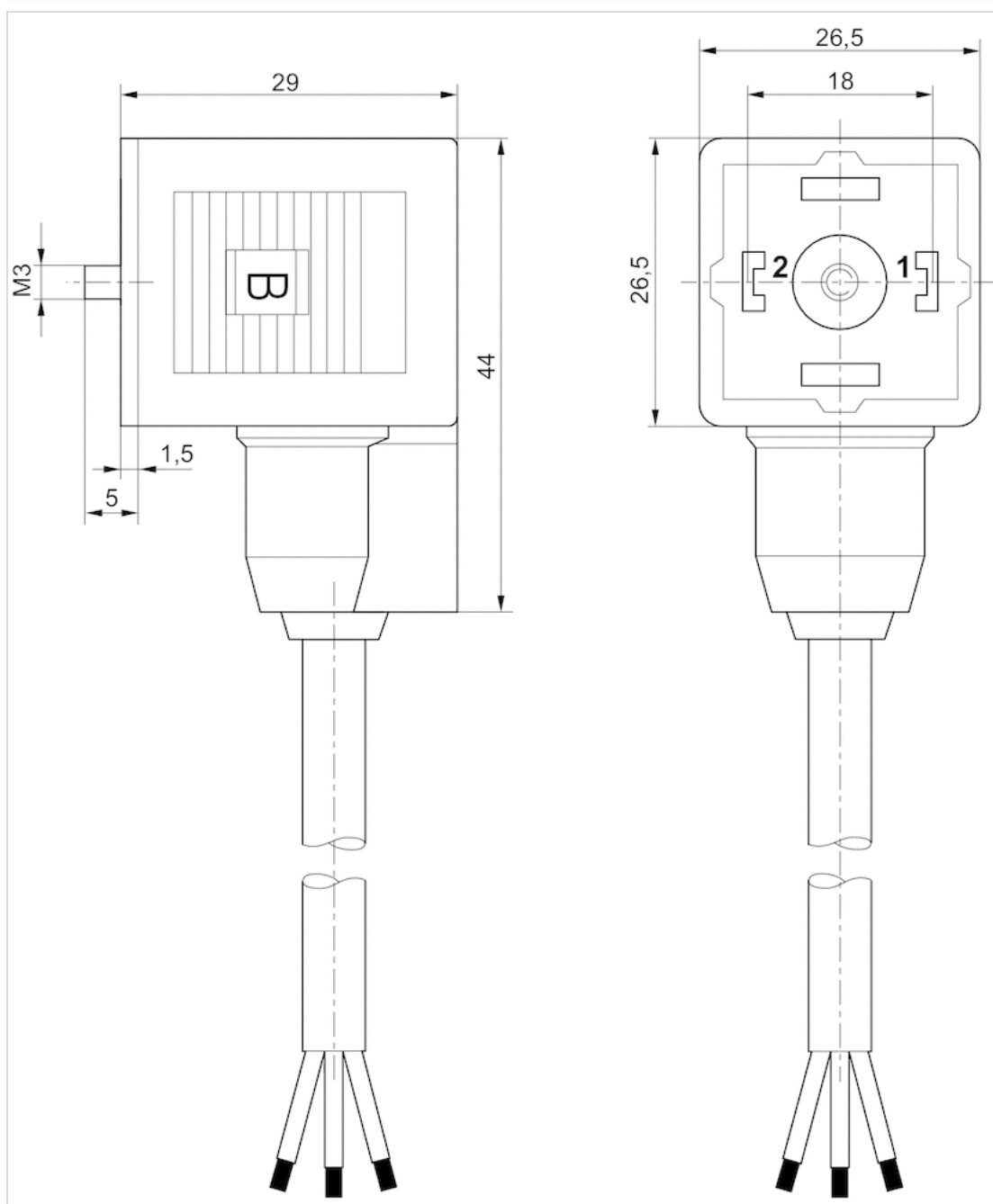
Material	
Seals	caoutchouc/butadiene caoutchouc
Cable sheath	Polyvinyl chloride

Fig. 2



Dimensions

Fig. 1

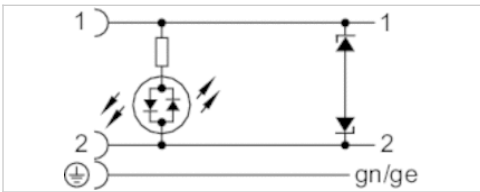


Valve plug connector, series CON-VP

- Socket, form B, 2+E, angled, 90°
- open cable ends, 3-pin
- with cable
- unshielded



Ambient temperature min./max.	-20 ... 80 °C
Operational voltage	24 V, AC/DC
Protection class	IP67
Protective circuit	Z-diode
Wire cross-section	0,75 mm ²
Mounting screw tightening torque	0,4 Nm
Weight	See table below



Technical data

Part No.	Max. current	Contact assignment	LED status display	Number of wires	Cable-Ø	Cable length	Weight	Fig.
1834484152	10 A	2+E	Yellow	3	5,9 mm	3 m	0,2 kg	Fig. 1
1834484153	10 A	2+E	Yellow	3	5,9 mm	3 m	0,2 kg	Fig. 2
1834484154	10 A	2+E	Yellow	3	5,9 mm	5 m	0,31 kg	Fig. 1
1834484155	10 A	2+E	Yellow	3	5,9 mm	5 m	0,31 kg	Fig. 2

Scope of delivery incl. flat gasket

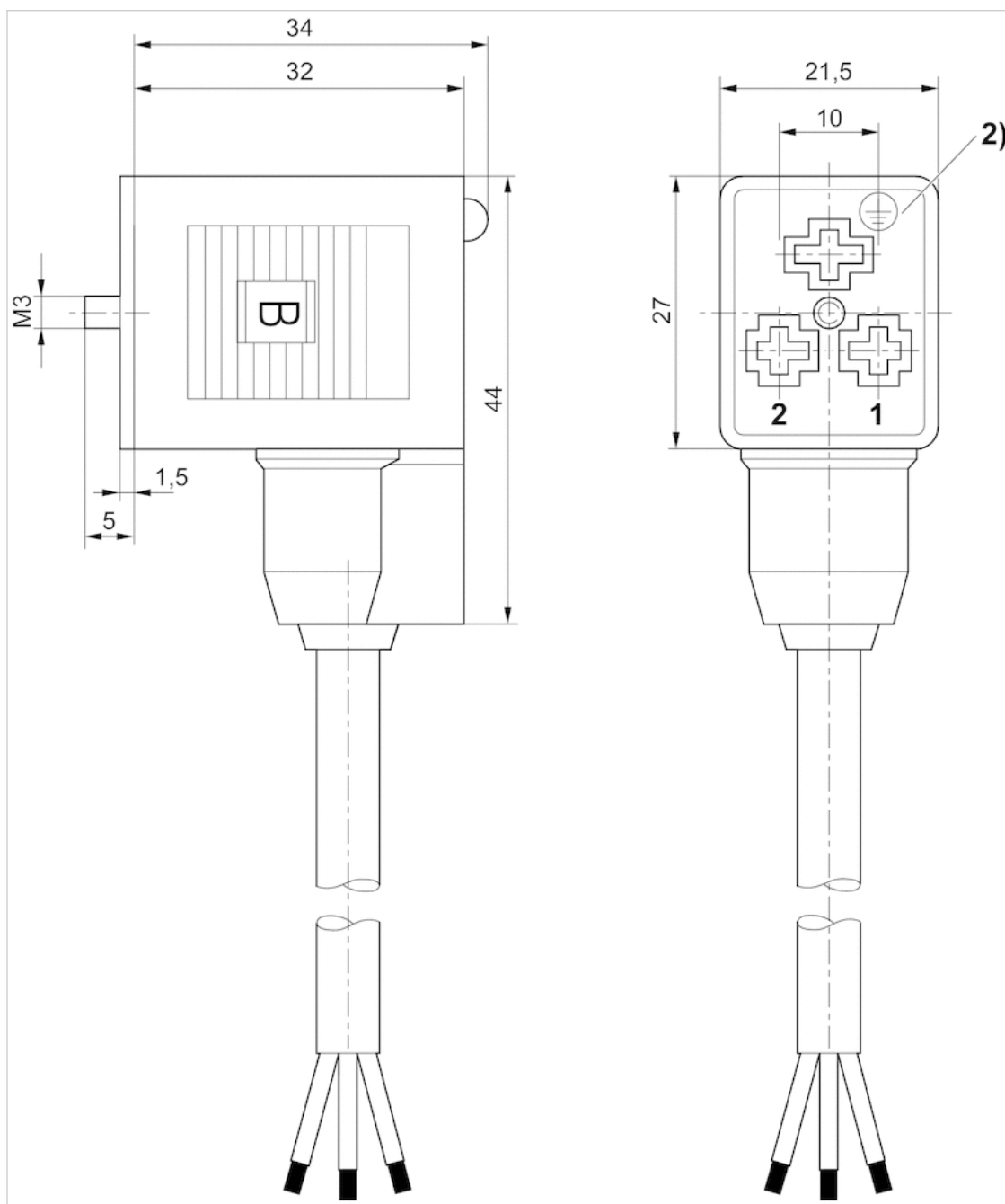
Technical information

The specified protection class is only valid in assembled and tested state.

Technical information

Material	
Seals	caoutchouc/butadiene caoutchouc
Cable sheath	Polyvinyl chloride

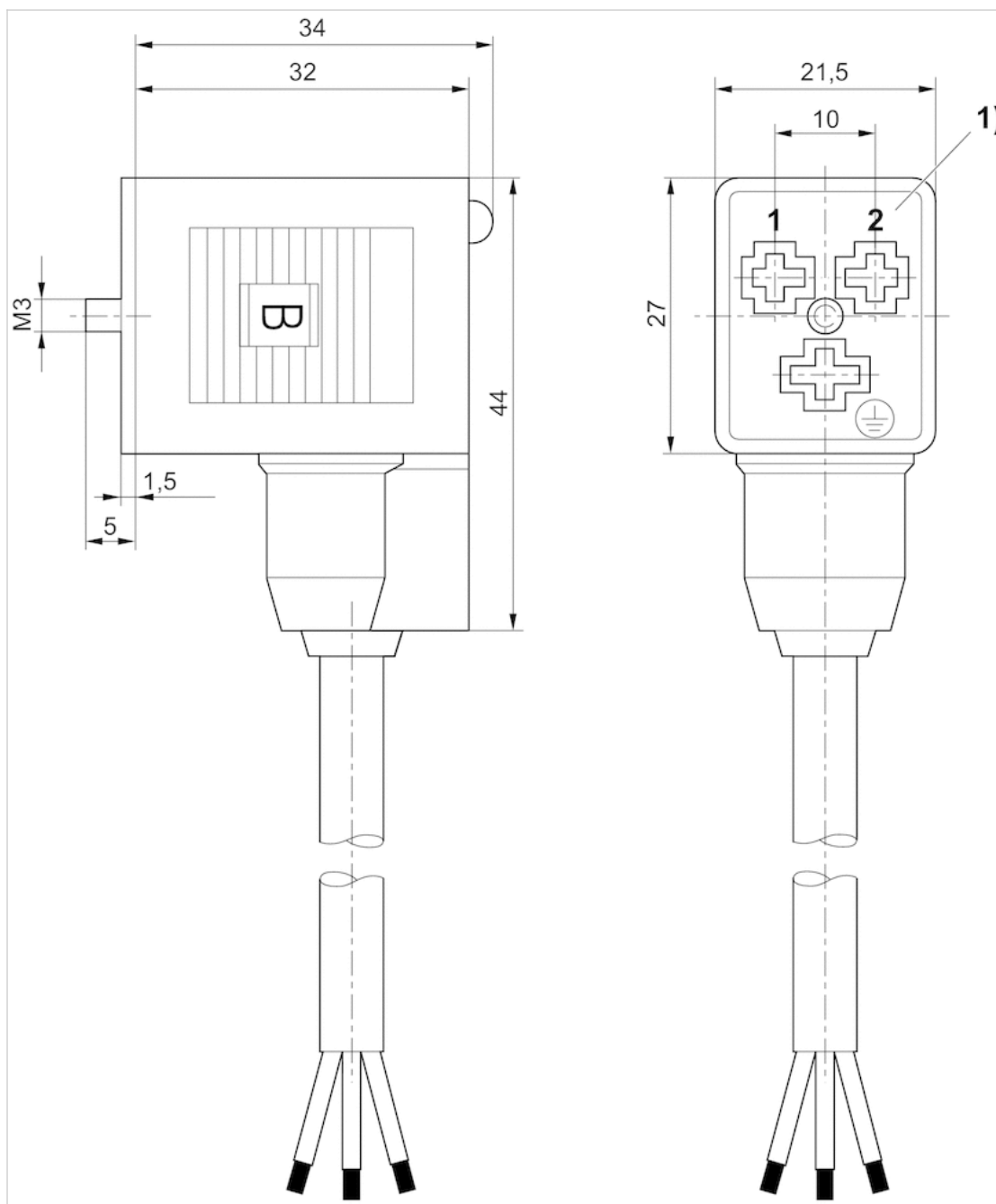
Fig. 2



2) 180° female insert

Dimensions

Fig. 1



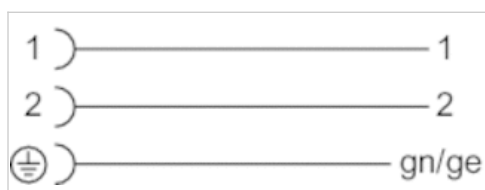
1) 0° female insert

Valve plug connector, series CON-VP

- Socket, Form B, industry, 2+E, angled, 90°
- open cable ends, 3-pin
- with cable
- unshielded



Ambient temperature min./max.	-20 ... 80 °C
Protection class	IP67
Wire cross-section	0,75 mm ²
Mounting screw tightening torque	0,4 Nm
Weight	0,02 kg



Technical data

Part No.	Max. current	Contact assignment	Number of wires	Cable-Ø	Cable length
8946201912	4 A	2+E	3	5,9 mm	3 m

Technical information

For security reasons, the valve plug connector must be plugged properly and centrally.
The specified protection class is only valid in assembled and tested state.

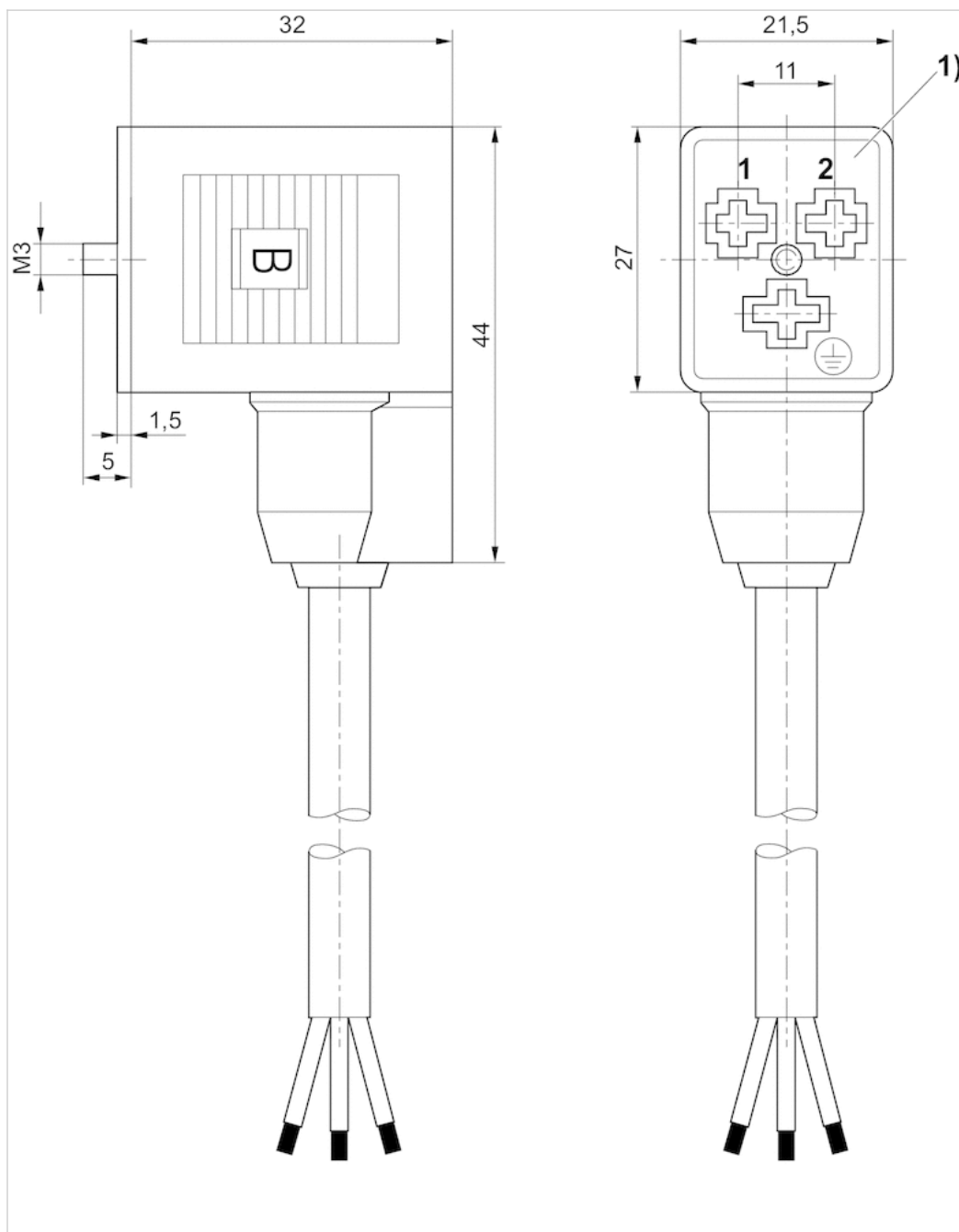
Technical information

Material

Cable sheath	Polyvinyl chloride
--------------	--------------------

Dimensions

Dimensions



1) 0° female insert






Valve plug connector, series CON-VP

- Socket, form C, 2+E, angled, 90°
- open cable ends, 3-pin
- with cable
- unshielded



Ambient temperature min./max.	-20 ... 80 °C
Operationalvoltage	See table below
Protection class	IP67
Wire cross-section	0,75 mm ²
Mounting screw tightening torque	0,4 Nm
Weight	See table below

Technical data

Part No.		Operationalvoltage	Max. current	Protective circuit	Contact assignment
1834484204		24 V, AC/DC	6 A	Z-diode	2+E
1834484205		24 V, AC/DC	6 A	Z-diode	2+E
1834484206		24 V, AC/DC	6 A	Z-diode	2+E
1834484207		24 V, AC/DC	6 A	Z-diode	2+E
1834484236		24 V, AC/DC	6 A	Z-diode	2+E
1834484208		230 V, AC/DC	6 A	Varistor	2+E
1834484209		230 V, AC/DC	6 A	Varistor	2+E
1834484210		230 V, AC/DC	6 A	Varistor	2+E
1834484211		230 V, AC/DC	6 A	Varistor	2+E
1834484212		230 V, AC/DC	6 A	-	2+E
1834484213		230 V, AC/DC	6 A	-	2+E
1834484214		230 V, AC/DC	6 A	-	2+E
1834484215		230 V, AC/DC	6 A	-	2+E

Part No.	LED status display	Number of wires	Cable-Ø	Cable length	Weight	Fig.	
1834484204	Yellow	3	5,9 mm	3 m	0,185 kg	Fig. 1	1)
1834484205	Yellow	3	5,9 mm	3 m	0,185 kg	Fig. 2	1)
1834484206	Yellow	3	5,9 mm	5 m	0,292 kg	Fig. 1	1)
1834484207	Yellow	3	5,9 mm	5 m	0,298 kg	Fig. 2	1)
1834484236	Yellow	3	5,9 mm	10 m	0,571 kg	Fig. 2	1)
1834484208	Yellow	3	5,9 mm	3 m	0,171 kg	Fig. 1	1)
1834484209	Yellow	3	5,9 mm	3 m	0,194 kg	Fig. 2	1)
1834484210	Yellow	3	5,9 mm	5 m	0,297 kg	Fig. 1	1)
1834484211	Yellow	3	5,9 mm	5 m	0,285 kg	Fig. 2	1)
1834484212	-	3	5,9 mm	3 m	0,183 kg	Fig. 1	-
1834484213	-	3	5,9 mm	3 m	0,183 kg	Fig. 2	-

Part No.	LED status display	Number of wires	Cable-Ø	Cable length	Weight	Fig.	
1834484214	-	3	5,9 mm	5 m	0,308 kg	Fig. 1	-
1834484215	-	3	5,9 mm	5 m	0,308 kg	Fig. 2	-

1) Scope of delivery incl. flat gasket

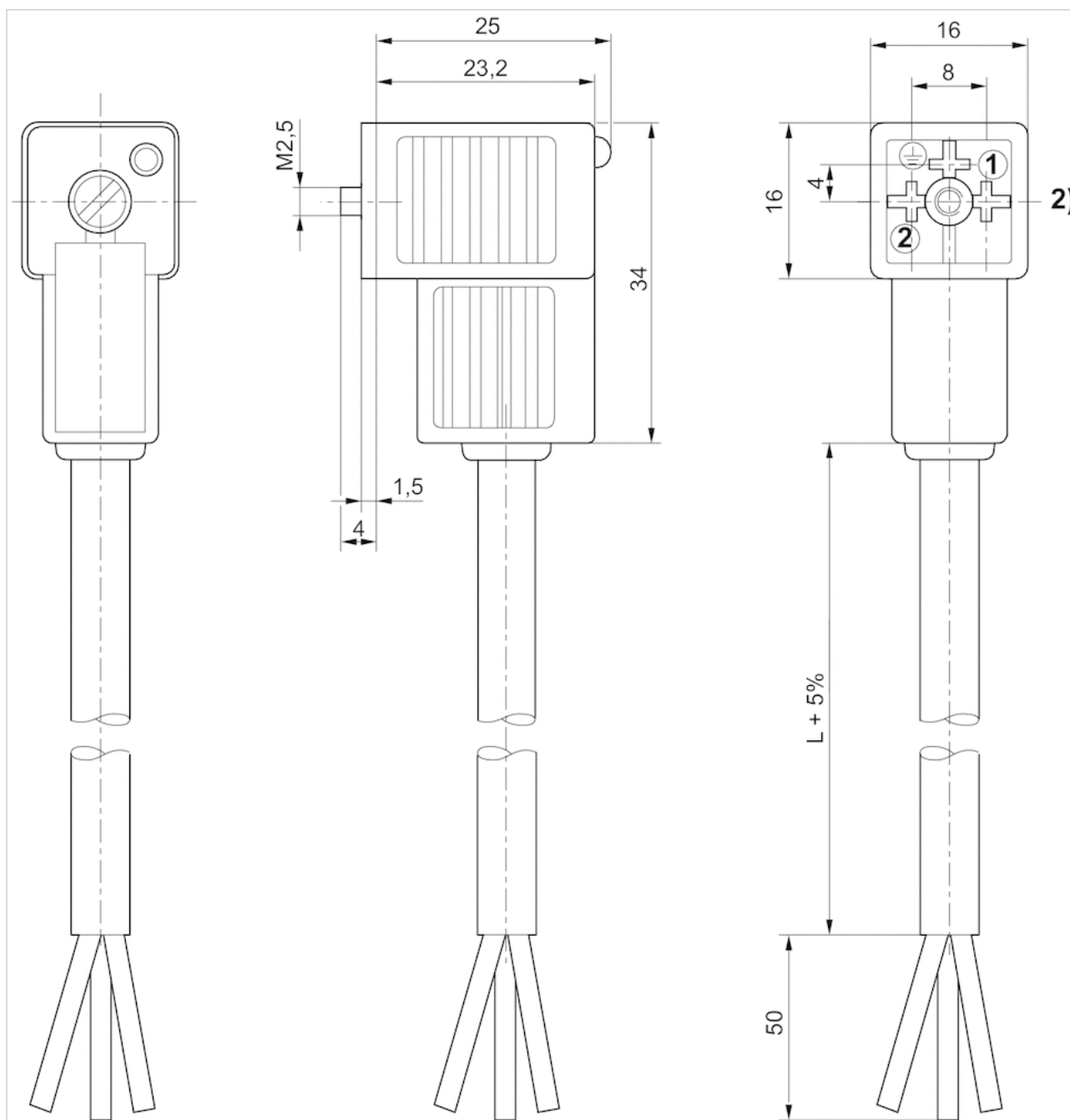
Technical information

The specified protection class is only valid in assembled and tested state.

Technical information

Material	
Seals	caoutchouc/butadiene caoutchouc
Cable sheath	Polyvinyl chloride

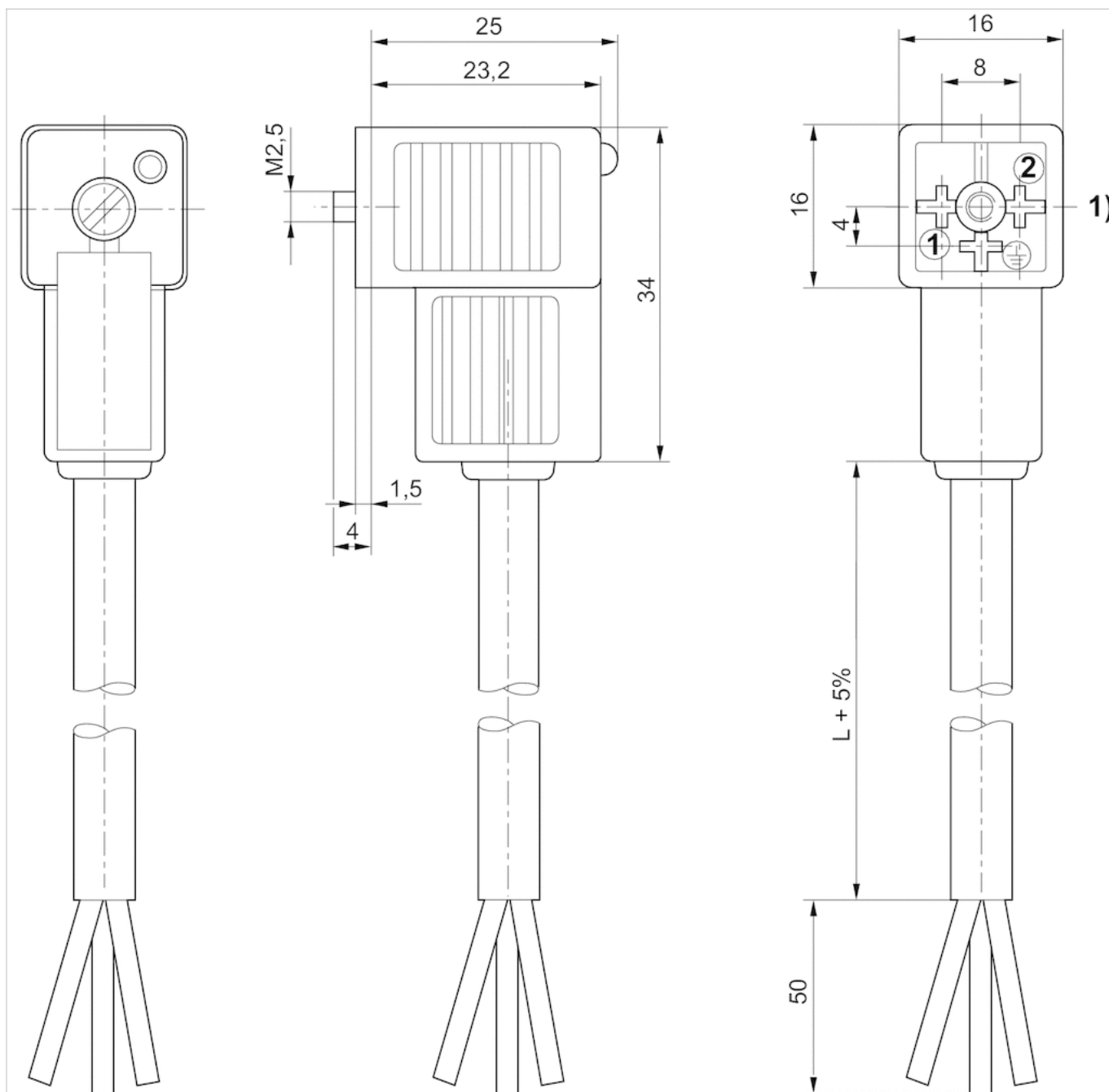
Fig. 2



2) 180° female insert

Dimensions

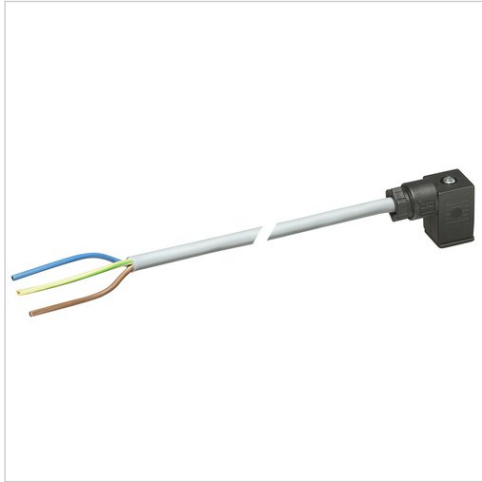
Fig. 1



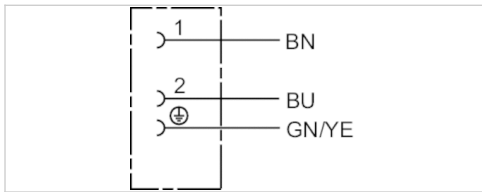
1) 0° female insert

Valve plug connector, series CON-VP

- Socket, form C, 2+E, angled, 90°
- open cable ends, 3-pin
- with cable
- unshielded



Operational voltage	230 V, AC/DC
Protection class	IP67
Wire cross-section	0,75 mm ²
Weight	0,307 kg



Technical data

Part No.	Max. current	Contact assignment	Number of wires	Cable length
8946201612	6 A	2+E	3	5 m

With coding pin

Technical information

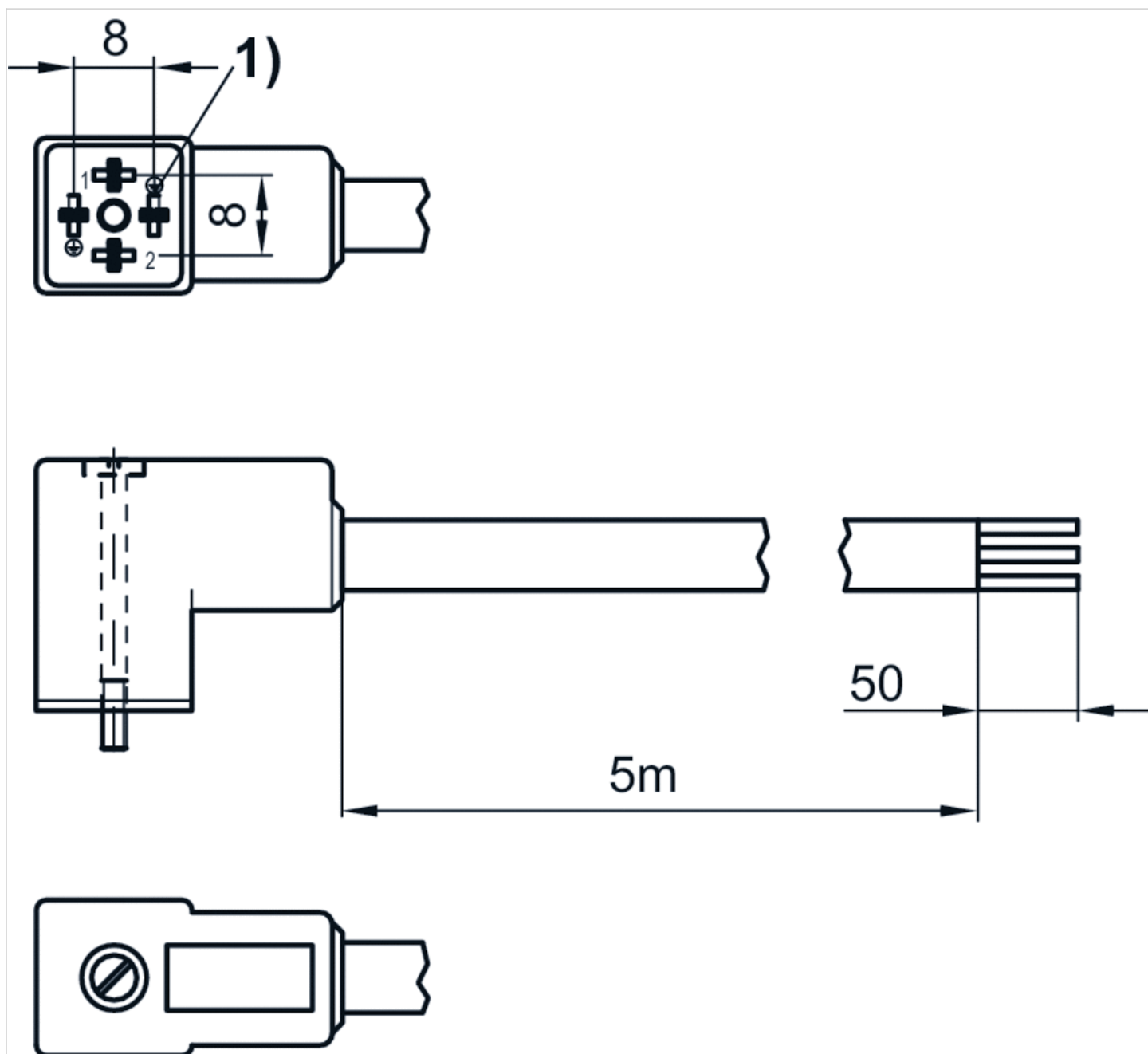
The specified protection class is only valid in assembled and tested state.
 For 24 V DC applications, a coding pin is required to protect against reverse polarity.

Technical information

Material	
Cable sheath	Polyvinyl chloride

Dimensions

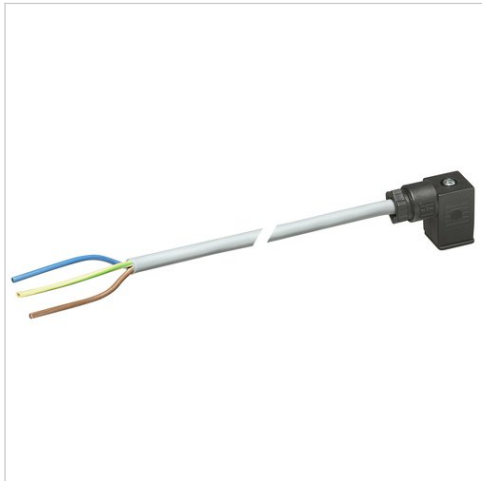
Dimensions



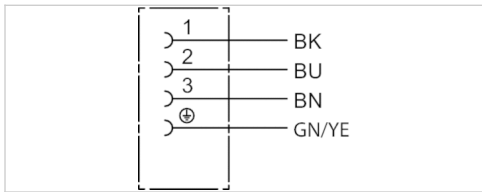
1) Coding pin

Valve plug connector, series CON-VP

- Socket, form C, 3+E, angled, 90°
- open cable ends, 4-pin
- with cable
- unshielded



Operational voltage	24 V, AC/DC
Protection class	IP67
Wire cross-section	0,34 mm ²
Weight	0,295 kg



Technical data

Part No.	Max. current	Contact assignment	Number of wires	Cable length
8946201602	4 A	3+E	4	5 m

Technical information

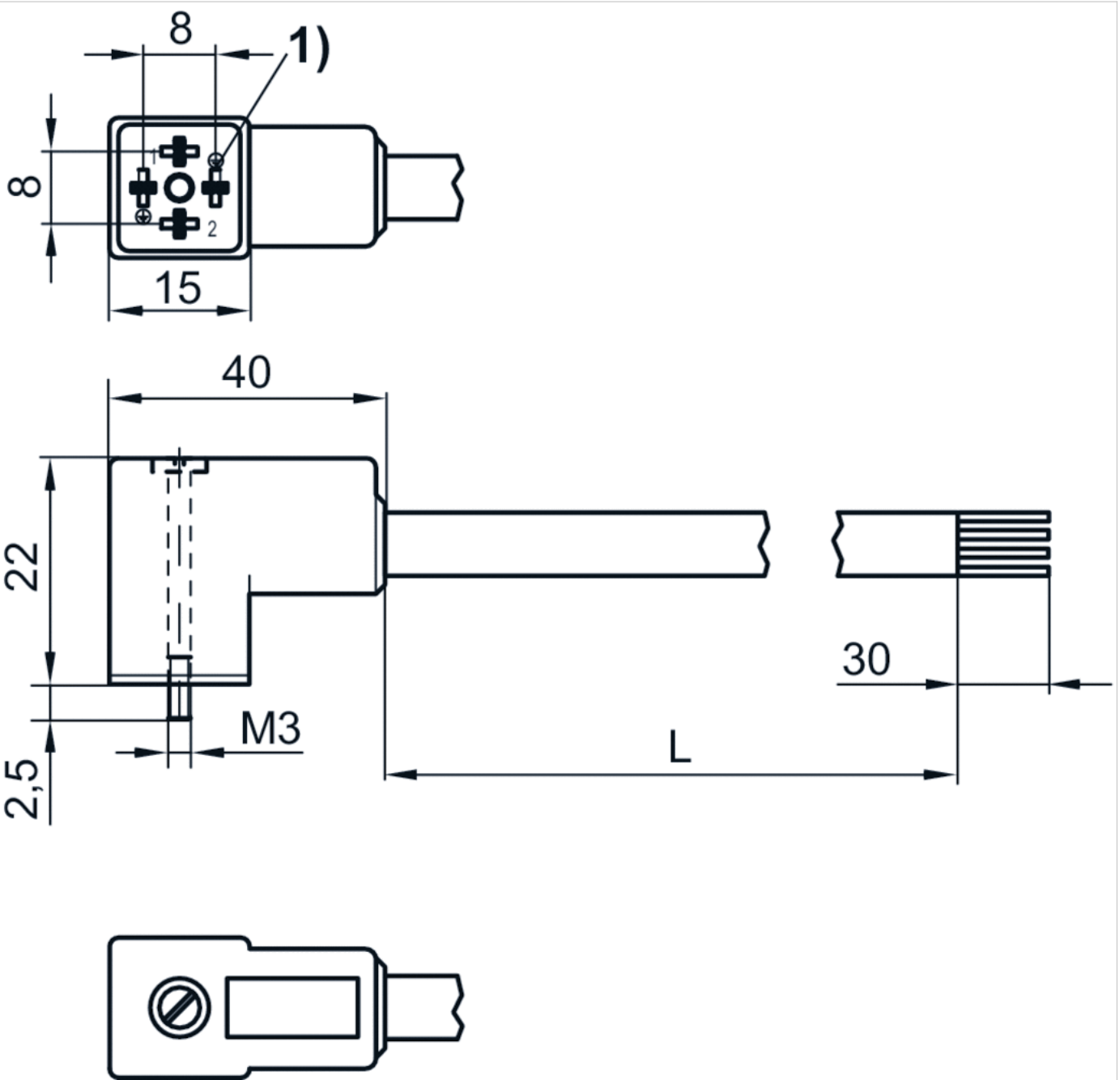
The specified protection class is only valid in assembled and tested state.

Technical information

Material	
Cable sheath	Polyvinyl chloride

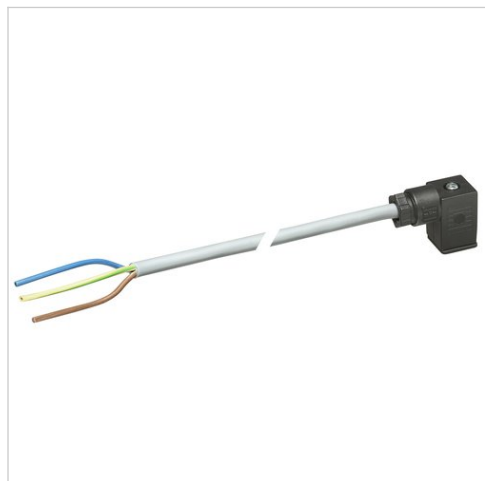
Dimensions

Dimensions

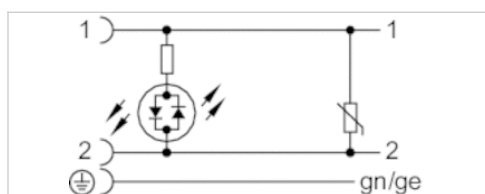


Valve plug connector, series CON-VP

- Socket, form C, industry, 4-pin, angled, 90°
- open cable ends, 3-pin
- with cable
- unshielded



Ambient temperature min./max.	-25 ... 90 °C
Operational voltage	24 V, AC/DC
Protection class	IP65
Protective circuit	Varistor
Wire cross-section	0,5 mm ²
Mounting screw tightening torque	0,4 Nm
Weight	See table below



Technical data

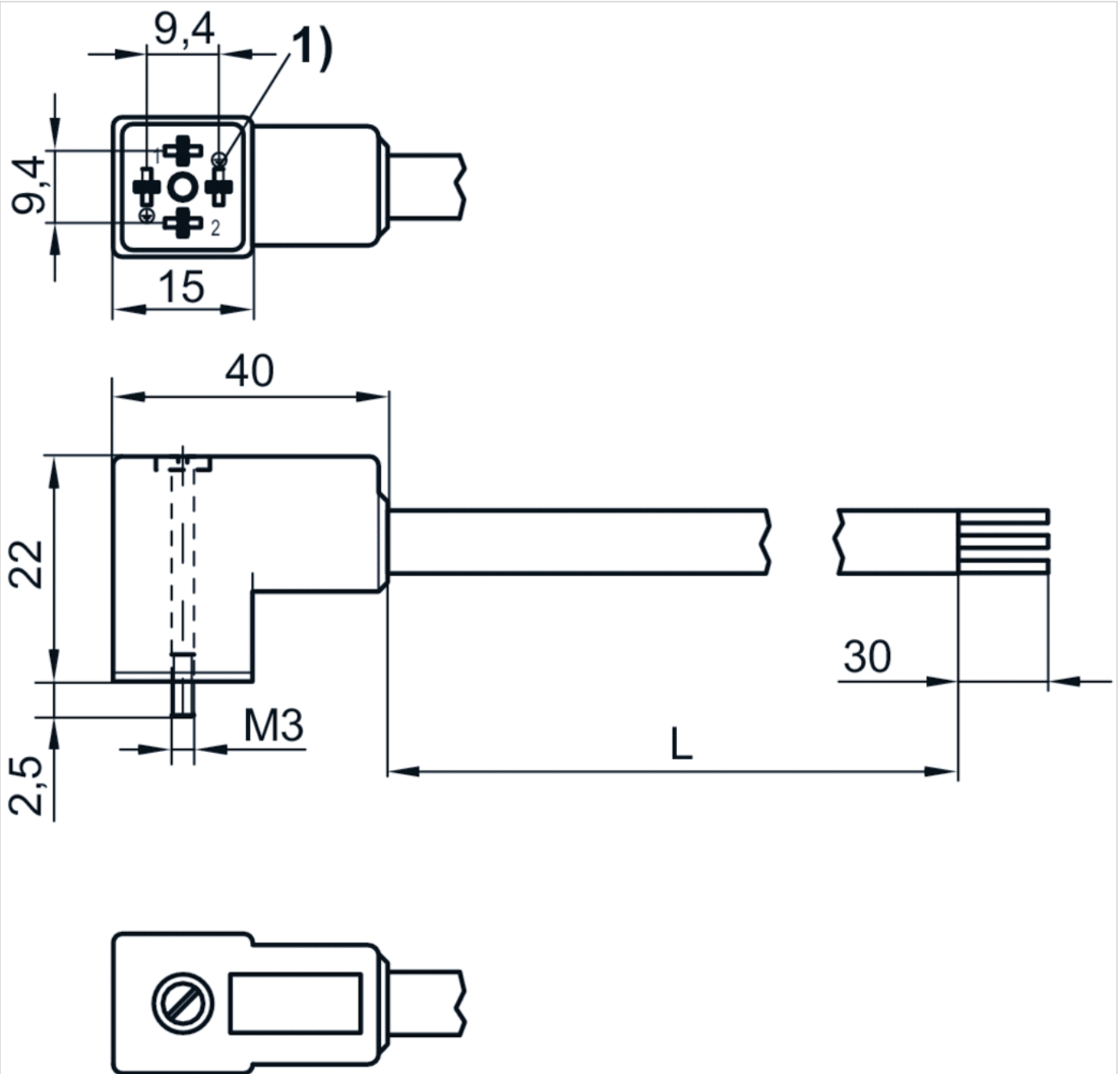
Part No.	Max. current	Contact assignment	LED status display	Number of wires	Cable length	Weight
R412024833	1,5 A	2+E	Yellow	3	3 m	0,137 kg
R412024834	1,5 A	2+E	Yellow	3	5 m	0,21 kg
R412024835	1,5 A	2+E	Yellow	3	10 m	0,42 kg

Technical information

Material	
Housing	Polyamide
Seals	caoutchouc/butadiene caoutchouc
Cable sheath	Polyvinyl chloride

Dimensions

Dimensions



1) Coding pin
L = length