

Series CH01

- Qn = 38-2800 l/min

- Internal thread / Internal thread



Working pressure min./max.	0 ... 10 bar
Ambient temperature min./max.	0 ... 80 °C
Medium temperature min./max.	0 ... 80 °C
Medium	Compressed air
Weight	See table below



Technical data

Part No.	Port 1	Port 2	Throttle bore	Flow	Weight	Fig.
			Ø	Qn		
0821201010	G 1/8	G 1/8	1 mm	38 l/min	0,035 kg	Fig. 1
0821201004	G 1/8	G 1/8	2 mm	140 l/min	0,035 kg	Fig. 1
0821201011	G 1/4	G 1/4	4 mm	700 l/min	0,045 kg	Fig. 1
0821201006	G 1/2	G 1/2	8,5 mm	2800 l/min	0,17 kg	Fig. 2

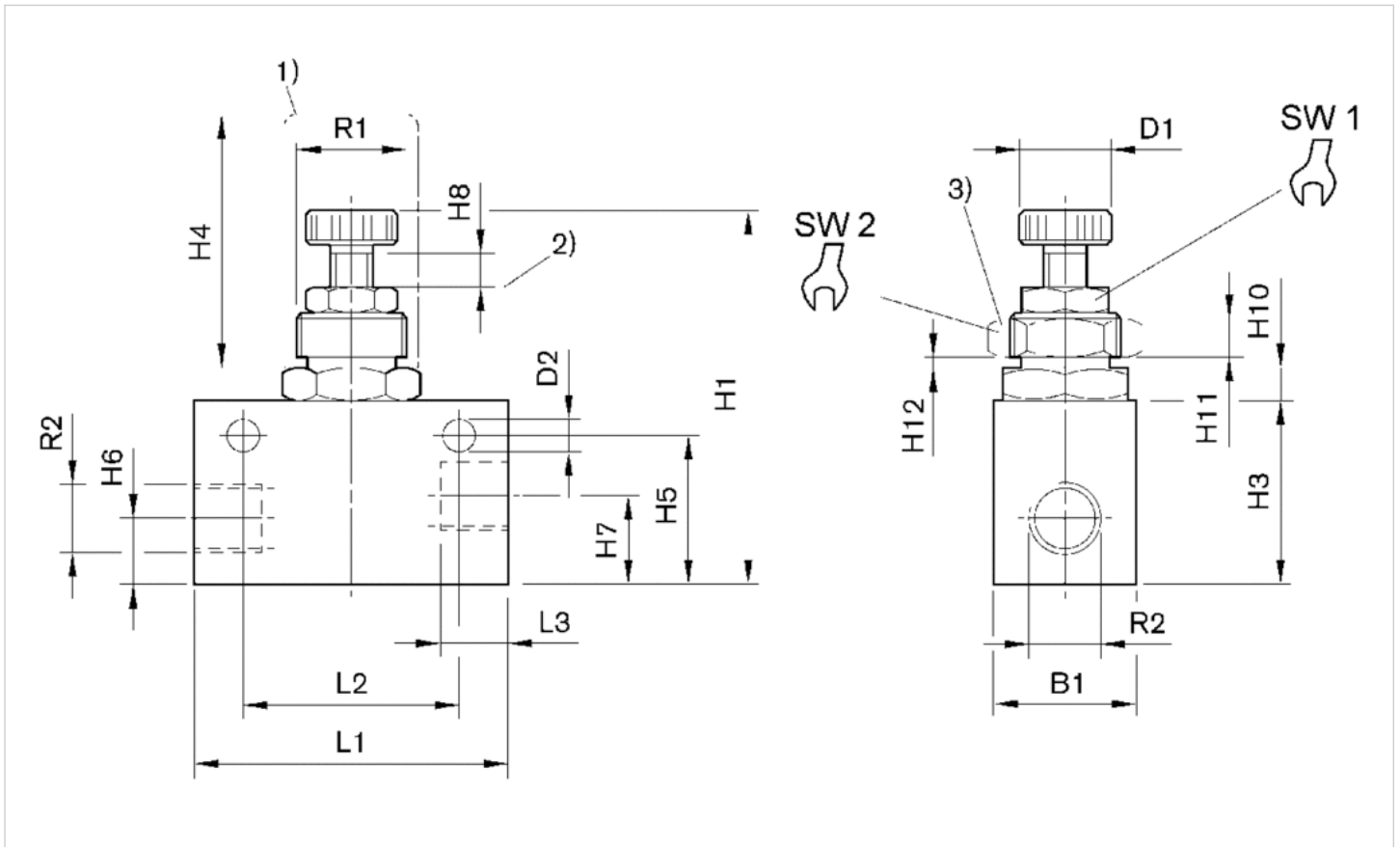
Nominal flow Qn at 6 bar and $\Delta p = 1$ bar

Technical information

Material	
Housing	Aluminum, anodized
Seals	Acrylonitrile butadiene rubber
Flow control screw	Steel, galvanized

Dimensions

Fig. 1



1) protective cap 2) throttle setting range 3) nut for control panel installation

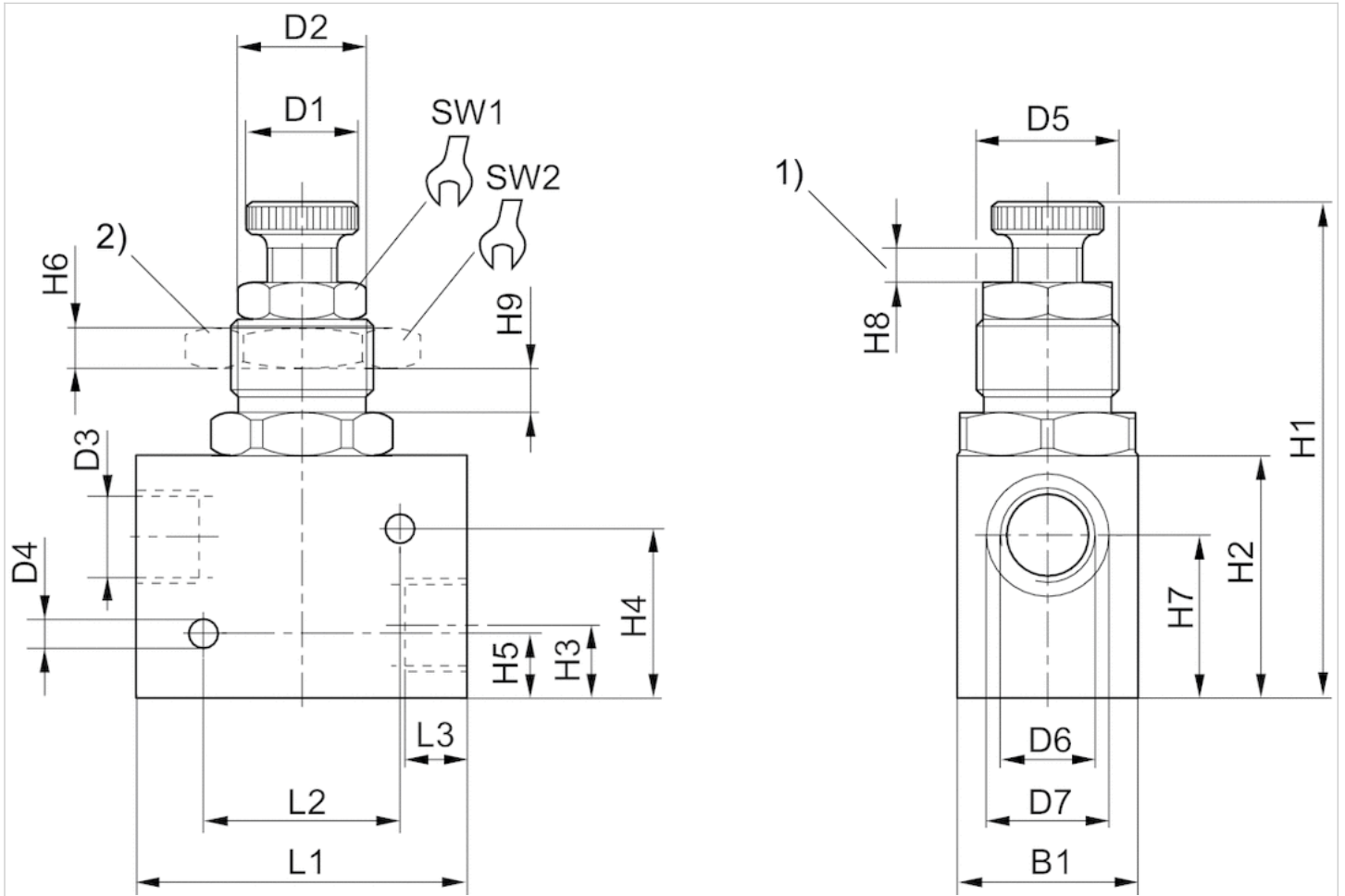
Dimensions

Part No.	Port G	R1	R2	B1	D1	D2	H1	H3	H4	H5	H6	H7	H8	H10	H11	H12	L1	L2	L3
0821201010	G 1/8	M12x1	G 1/8	16	9,8	4,5	56	20	35	16.5	8	8	4	4,2	4	0	35	25	8
0821201004	G 1/8	M12x1	G 1/8	16	9,8	4.5	56	20	35	16.5	8	8	4	4,2	4	0	35	25	8
0821201011	G 1/4	M20x1,5	G 1/4	25	15	5.5	70	32	40	26	11	15	5	5.5	6	0	55	38	12

SW1	SW2
10	17
10	17
13	24

Dimensions

Fig. 2



1) throttle setting range 2) nut for control panel installation

Dimensions

Part No.	Port G	D1	D2	D3	D4	D5	D6	D7	B1	H1	H2	H3	H4	H5	H6	H7	H8	H9	L1	L2
0821201006	G 1/2	27	27,5	19	6,5	M32x1,5	G1/2	27	40	120	50	17	40.5	15.5	9	38	8	9	75.3	45
		L3			SW1					SW2										
		14			24					46										