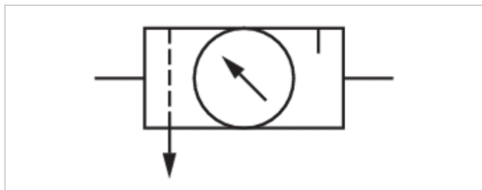


Universal maintenance unit, Series NLC

- G 1/4, G 3/8, G 1/2, G 3/4

- with pressure gauge



Version	1-in-1
Parts	Pressure regulator, Filter, Lubricator
Mounting orientation	vertical
Working pressure min./max.	8 ... 232 psi
Ambient temperature min./max.	14 ... 140 °F
Medium temperature min./max.	14 ... 140 °F
Medium	Compressed air, Neutral gases
Regulator type	Diaphragm-type pressure regulator
Regulator function	with relieving air exhaust
Adjustment range min./max.	8 ... 145 psi
Pressure supply	single
Filter reservoir volume	0.85 fl.oz.
Filter element	exchangeable
Condensate drain	See table below
Lubricator reservoir volume	2.54 fl.oz.
Type of filling	Manual oil filling
Weight	See table below

Technical data

Part No.	Frame size	Port	Flow	Condensate drain	Protective guard
			Qn		
0821300030	2	G 1/4	1.42 Cv	Manual	-
0821300050	2	G 1/4	1.42 Cv	Manual	Steel
R412010828	2	G 1/4	1.42 Cv	semi-automatic, open without pressure	Steel
0821300032	2	G 3/8	1.42 Cv	Manual	-
0821300052	2	G 3/8	1.42 Cv	Manual	Steel
R412010829	2	G 3/8	1.42 Cv	semi-automatic, open without pressure	Steel
0821300040	4	G 1/2	3.25 Cv	Manual	-
0821300060	4	G 1/2	3.25 Cv	Manual	Steel
R412010830	4	G 1/2	3.25 Cv	semi-automatic, open without pressure	Steel
0821300042	4	G 3/4	3.25 Cv	Manual	-
0821300062	4	G 3/4	3.25 Cv	Manual	Steel
R412010831	4	G 3/4	3.25 Cv	semi-automatic, open without pressure	Steel

Part No.	Weight
0821300030	2.92 lbs
0821300050	3.18 lbs
R412010828	3.15 lbs
0821300032	2.86 lbs
0821300052	3.04 lbs
R412010829	3.11 lbs
0821300040	7.23 lbs

Part No.	Weight
0821300060	7.87 lbs
R412010830	7.68 lbs
0821300042	7.07 lbs
0821300062	7.58 lbs
R412010831	7.3 lbs

Nominal flow Qn with secondary pressure p2 = 87 psi at $\Delta p = 14.5$ psi

Technical information

The pressure dew point must be at least 27 °F under ambient and medium temperature and may not exceed 5.4 °F .
Manual oil filling possible during operation

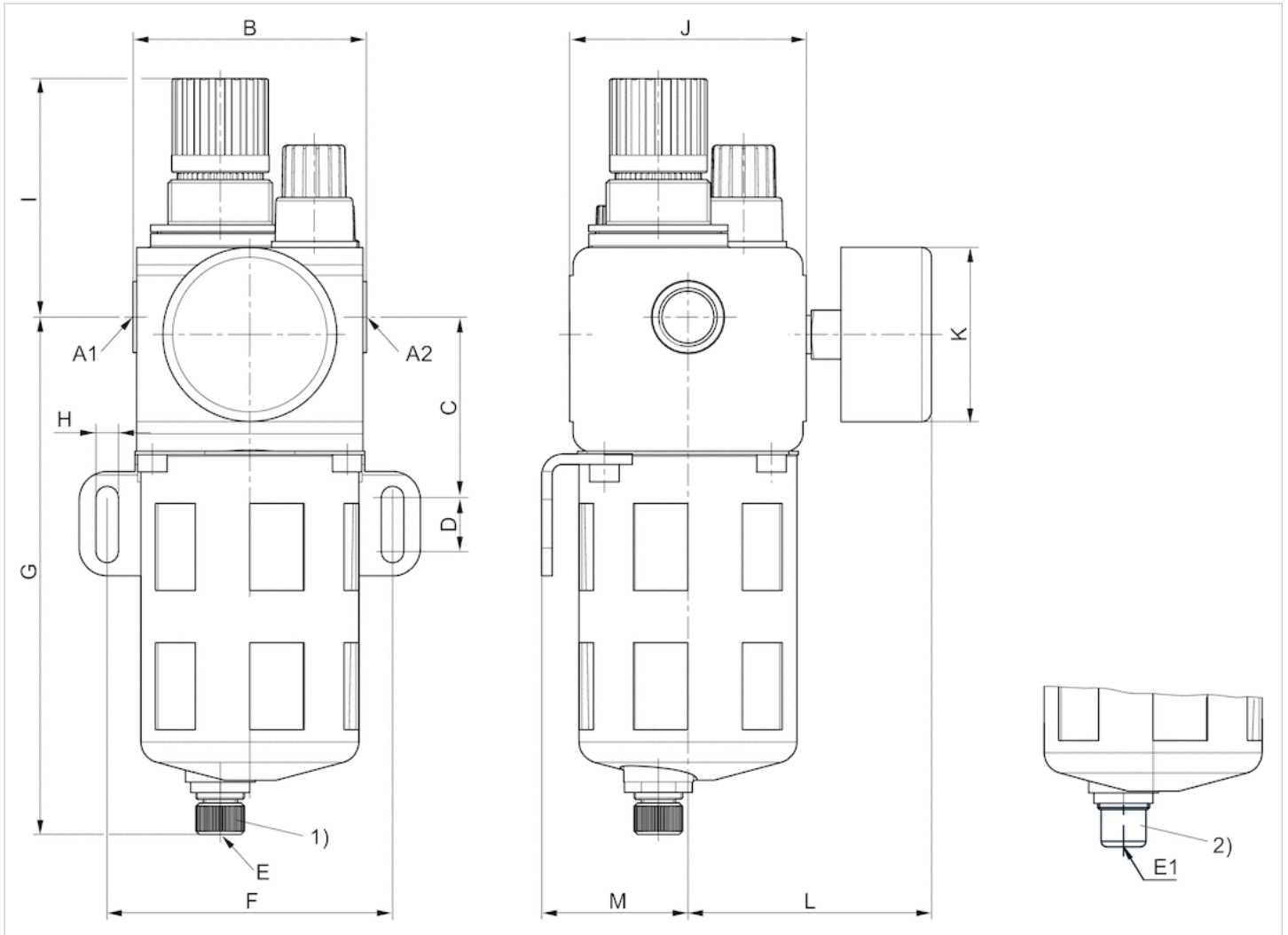
Oil dosing at 1 Cv 1-2 drops

Technical information

Material	
Housing	Die cast zinc
Seals	Acrylonitrile butadiene rubber
Reservoir	Polycarbonate
Protective guard	Steel
Filter insert	Sintered bronze

Dimensions

Dimensions Frame size 2



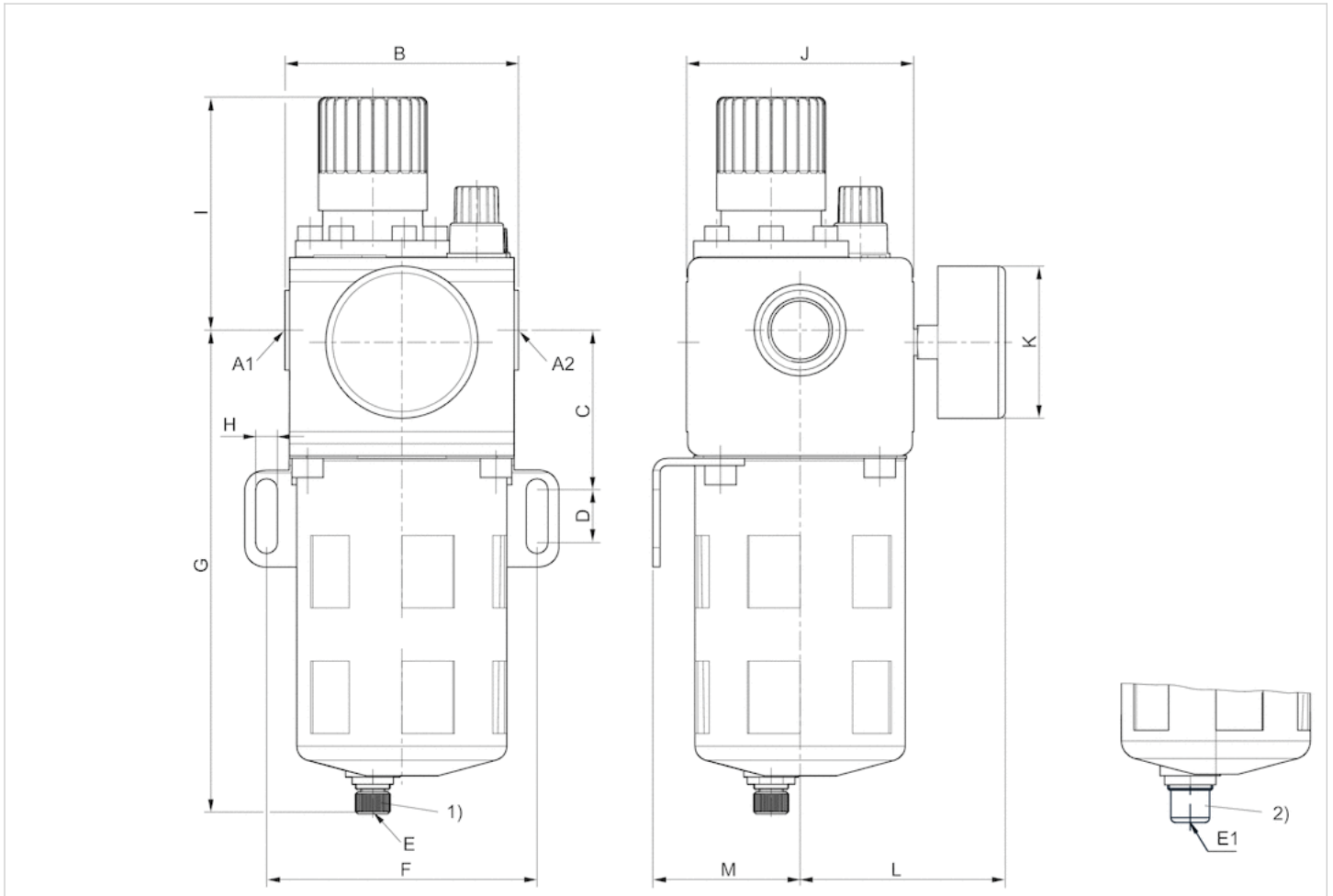
- A1 = input
- A2 = output
- 1) Fully automatic condensate drain
- 2) Semi-automatic condensate drain

Dimensions in mm

A1	A2	B	C	D	E	E1	F	G	H	I	J	K	L	M
G 1/4	G 1/4	66	52	15.5	SW5	G 1/8	82	148	6.5	69	65	50	70	42
G 3/8	G 1/4	66	52	15.5	SW5	G 1/8	82	148	6.5	69	65	50	70	42

Dimensions

Dimensions Frame size 4



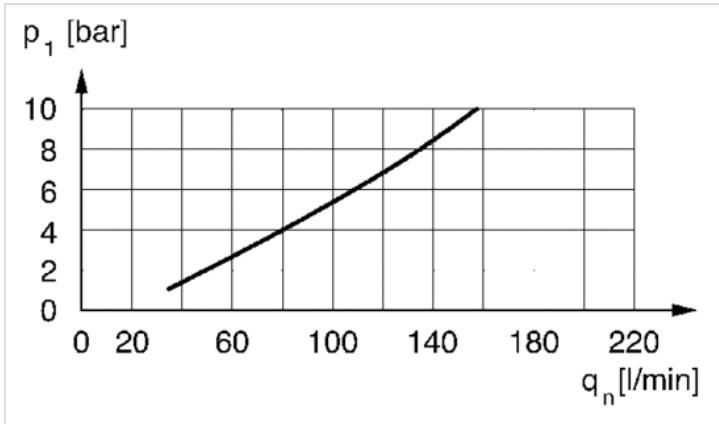
- A1 = input
- A2 = output
- 1) Fully automatic condensate drain
- 2) Semi-automatic condensate drain

Dimensions in mm

A1	A2	B	C	D	E	E1	F	G	H	I	J	K	L	M
G 1/4	G 3/4	93	66	22	G 1/8	G 1/8	112	200	9	97	92	63	85	61
G 1/2	G 3/4	93	66	22	G 1/8	G 1/8	112	200	9	97	92	63	85	61
G 3/4	G 3/4	93	66	22	G 1/8	G 1/8	112	200	9	97	92	63	85	61

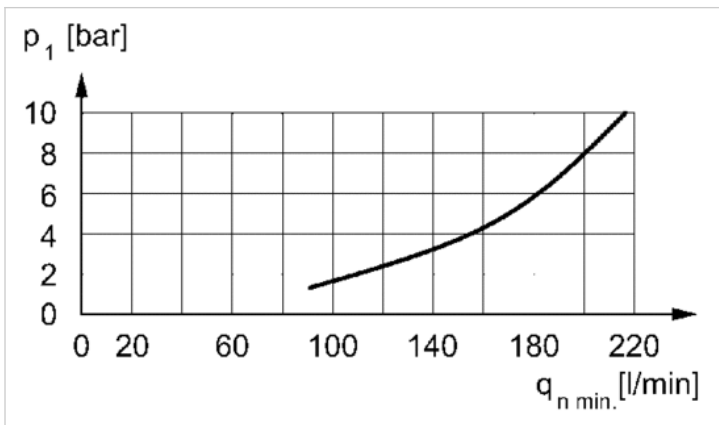
Diagrams

Lubricator activation margin size 2



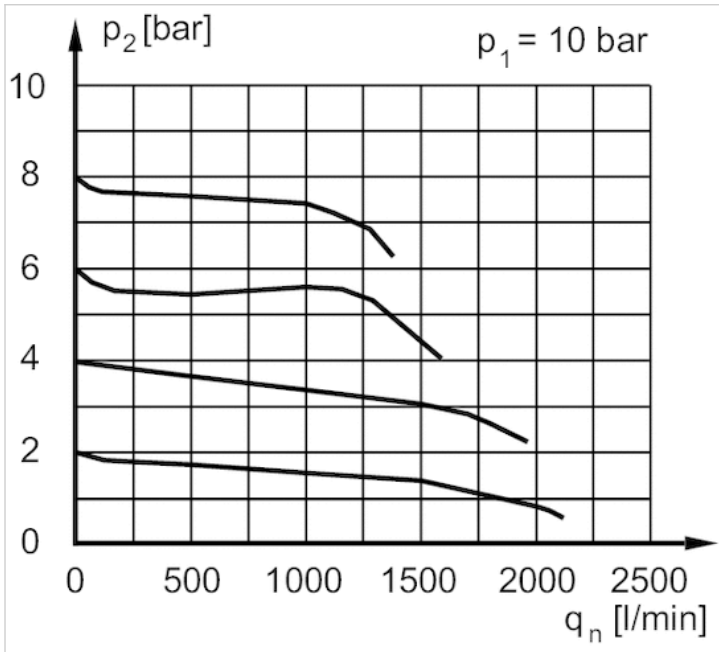
p1 = working pressure
 qn = nominal flow
 Flow rate necessary for the correct functioning of the lubricator

Lubricator activation margin size 4



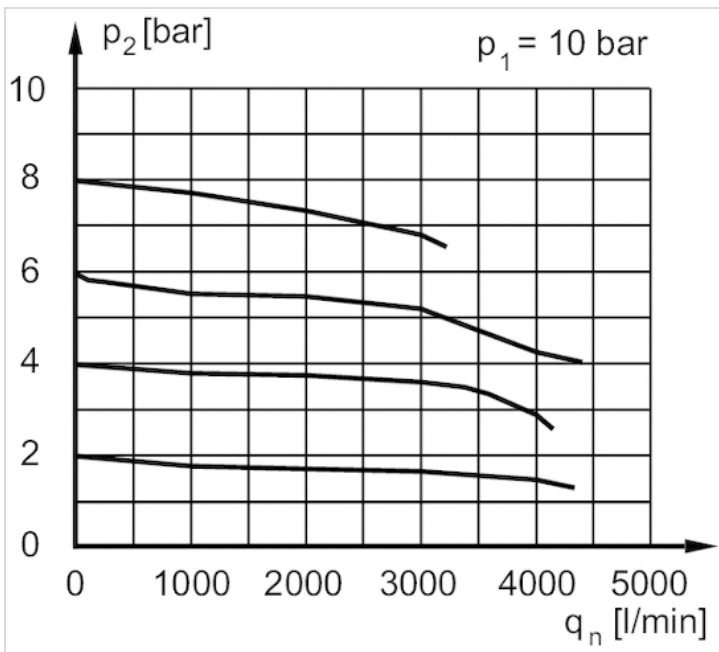
p1 = working pressure
 qn = nominal flow
 Flow rate necessary for the correct functioning of the lubricator

Flow rate characteristic size 2



p1 = working pressure
 p2 = secondary pressure
 qn = nominal flow

Flow rate characteristic size 4



p1 = working pressure
 p2 = secondary pressure
 qn = nominal flow

Reservoir, Series NLC-CLS-SSS-HO

- for Universal maintenance unit
- Material metal



Version	Reservoir
Version	Metal reservoir without window
Working pressure min./max.	22 ... 232 psi
Ambient temperature min./max.	14 ... 122 °F
Medium temperature min./max.	14 ... 122 °F
Medium	Compressed air
Weight	See table below

Technical data

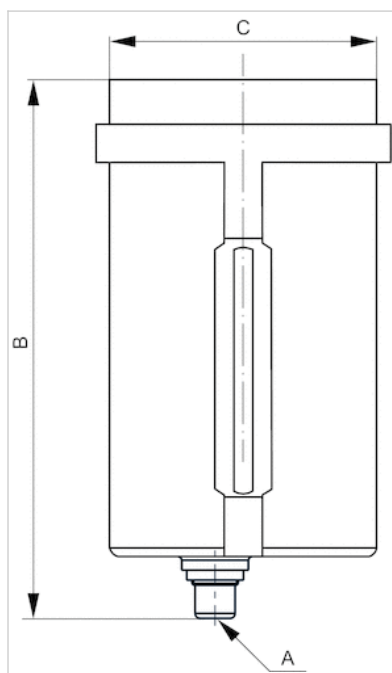
Part No.	Condensate drain	Filter reservoir volume	Weight
R412010835	semi-automatic, open without pressure	32.46 fl.oz.	2.03 lbs
R412010836	semi-automatic, open without pressure	79.8 fl.oz.	4.78 lbs

Technical information

Material	
Reservoir	metal
Seal	Acrylonitrile butadiene rubber

Dimensions

Dimensions



Dimensions in mm

Part No.	A	B	ØC
R412010835	G 1/8	140	60
R412010836	G 1/8	188	84

Reservoir, Series NLC-CLS-PNB

- for Universal maintenance unit

- Material Polycarbonate



Version

Mounting orientation

Working pressure min./max.

Ambient temperature min./max.

Medium temperature min./max.

Medium

Reservoir

vertical

22 ... 232 psi

14 ... 122 °F

14 ... 122 °F

Compressed air

Technical data

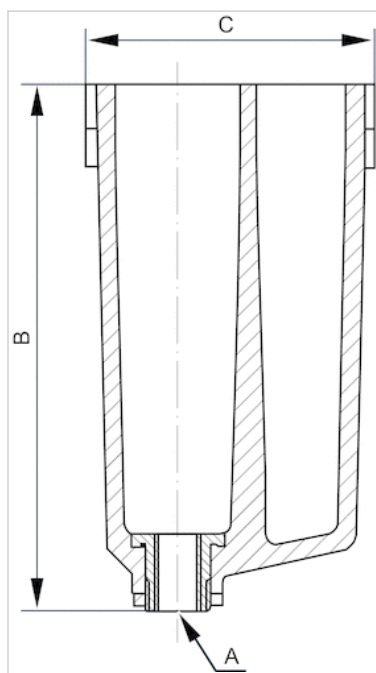
Part No.	Condensate drain	Filter reservoir volume
1820510005	without	13.53 fl.oz.
1820510006	without	43.96 fl.oz.

Technical information

Material	
Reservoir	Polycarbonate
Seal	Acrylonitrile butadiene rubber

Dimensions

Dimensions



Dimensions in mm

Part No.	A	B	C
1820510005	G 1/8	128	60
1820510006	G 1/8	165	84

Reservoir, Series NLC-CLS-PNB-HO

- for Universal maintenance unit

- Material Polycarbonate



Version

Mounting orientation

Working pressure min./max.

Ambient temperature min./max.

Medium temperature min./max.

Medium

Reservoir

vertical

22 ... 232 psi

14 ... 122 °F

14 ... 122 °F

Compressed air

Technical data

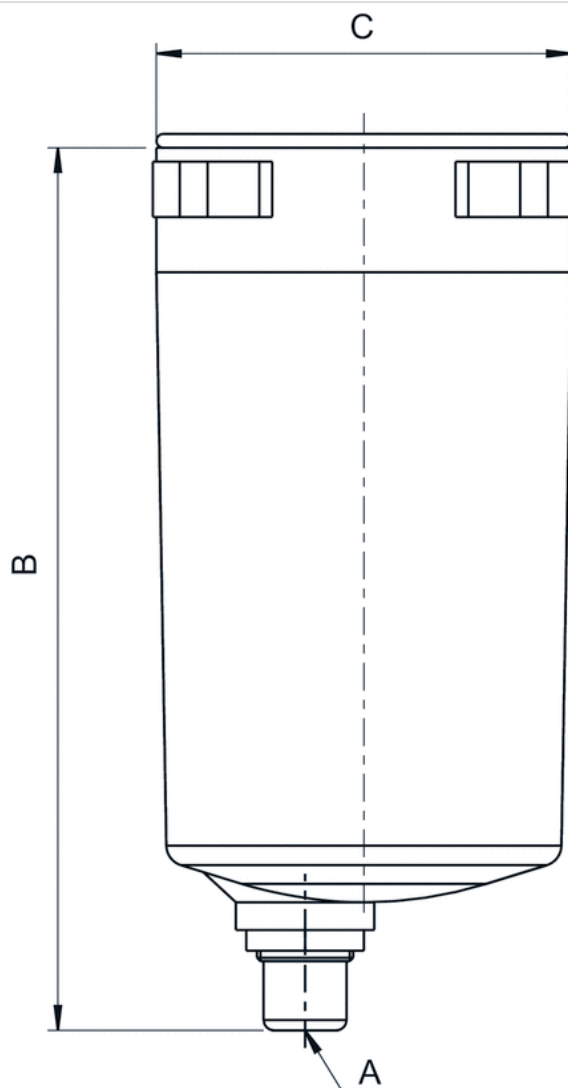
Part No.	Condensate drain	Filter reservoir volume
R412010833	semi-automatic, open without pressure	13.53 fl.oz.
R412010834	semi-automatic, open without pressure	43.96 fl.oz.

Technical information

Material	
Reservoir	Polycarbonate
Seal	Acrylonitrile butadiene rubber

Dimensions

Dimensions



Dimensions in mm

Part No.	A	B	C
R412010833	G 1/8	128	60
R412010834	G 1/8	165	84

Protective guard, Series NLC

- for Universal maintenance unit



Weight

0.198 lbs

Technical data

Part No.	Type
1820507002	NLC Frame size 2
1820507003	NLC Frame size 4

Technical information

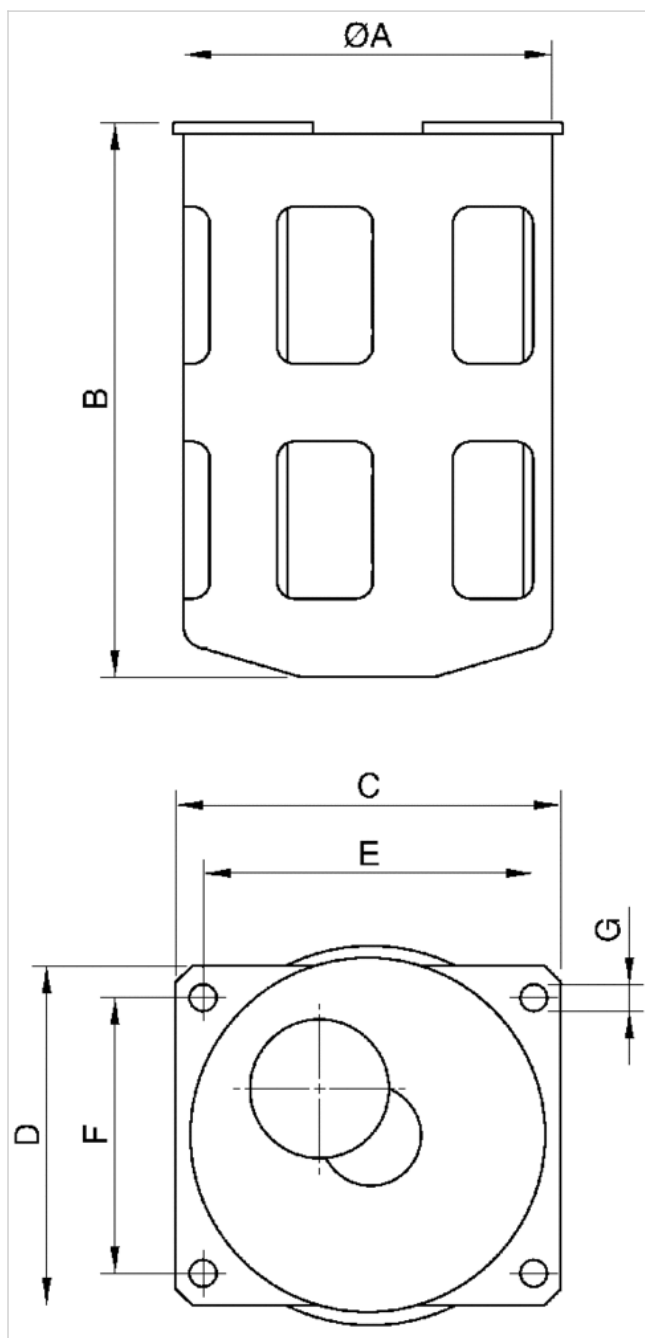
Can be retrofitted for PC reservoir

Technical information

Material

Material	Steel, black oxidized
----------	-----------------------

Dimensions



Dimensions in mm

Part No.	Type	A	B	C	D	E	F	G
1820507002	NLC Frame size 2	63	94.5	66	58	56	48	5.5
1820507003	NLC Frame size 4	87	132.5	93	80	78	66	8.5

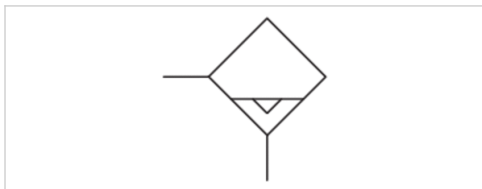
Condensate drain valve, fully automatic, Series NLC

- G 1/2

- Material metal



Mounting orientation	vertical
Working pressure min./max.	58 ... 232 psi
Ambient temperature min./max.	32 ... 194 °F
Medium temperature min./max.	32 ... 194 °F
Medium	Compressed air
Filter reservoir volume	1.66 fl.oz.
Weight	0.509 lbs



Technical data

Part No.	Condensate drain
0821303015	fully automatic, closed without pressure

Technical information

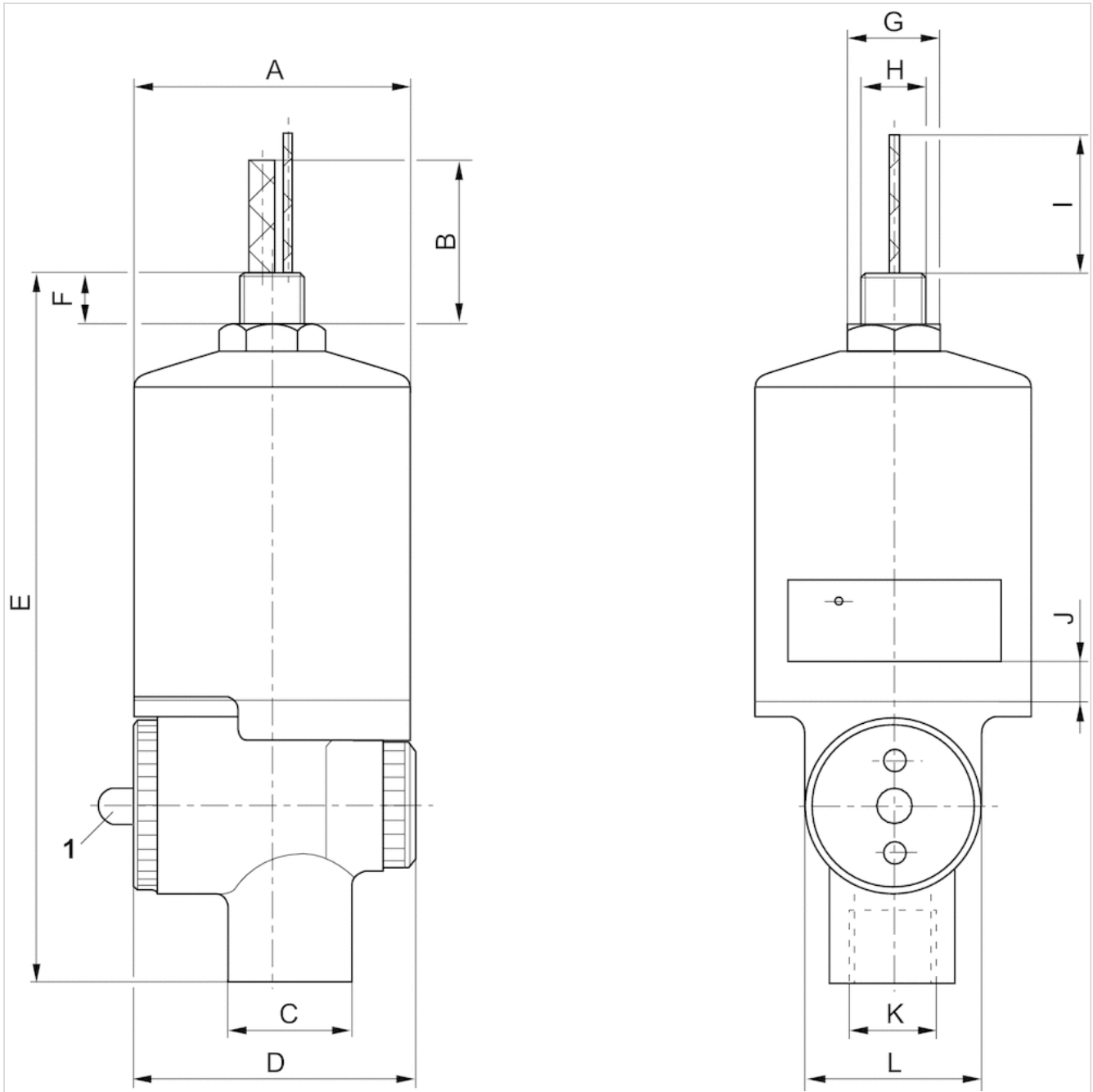
For installation on all NLC series containers.
Can be installed instead of a manual or semi-automatic condensate drain.

Technical information

Material	
Reservoir	metal
Seal	Nitrile butadiene rubber

Dimensions

Dimensions



1 = Manual override

Dimensions in mm

Part No.	A	B	ØC	D	E	F	G	H	I	J	K	L
0821303015	42	25	19	43	108	8	SW14	R1/8	21	6	R1/4	27