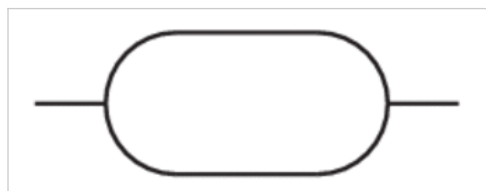


# Series AR1

- G 1/2, G 1, G 2

- 1, 3,2, 5, 10, 20, 40, 90 L



Working pressure min./max.

Ambient temperature min./max.

Medium temperature min./max.

Medium

Air reservoir volume

See table below

-40 ... 100 °C

-40 ... 100 °C

Compressed air

See table below

## Technical data

Part No.	Port 1	Port 2	Working pressure min./max.	Air reservoir volume	Reservoir Ø	Fig.
3513000000	G 1/2	-	0 ... 11 bar	1 L	105 mm	Fig. 1
3513000010	G 1	G 1/2	0 ... 11 bar	3,2 L	101,6 mm	Fig. 2
3513000020	G 1	G 1/2	0 ... 10 bar	5 L	154 mm	Fig. 3
3513000030	G 1	G 1/2	0 ... 11 bar	10 L	206 mm	Fig. 4
3513000040	G 1	G 1/2	0 ... 10 bar	20 L	246 mm	Fig. 5
3513000050	G 1	G 1/2	0 ... 11 bar	40 L	276 mm	Fig. 6
3513000060	G 2	G 1/2	0 ... 11 bar	90 L	350 mm	Fig. 7

Reservoirs with a diameter up to 206 mm are fixed with tensioning straps., You can find mounting kits for larger diameters without feet in the accessories.

## Technical information

The pressure dew point must be at least 15 °C under ambient and medium temperature and may not exceed 3 °C .

The oil content of compressed air must remain constant during the life cycle.

Use only the approved oils from AVENTICS. Further information can be found in the "Technical information" document (available in the MediaCentre).

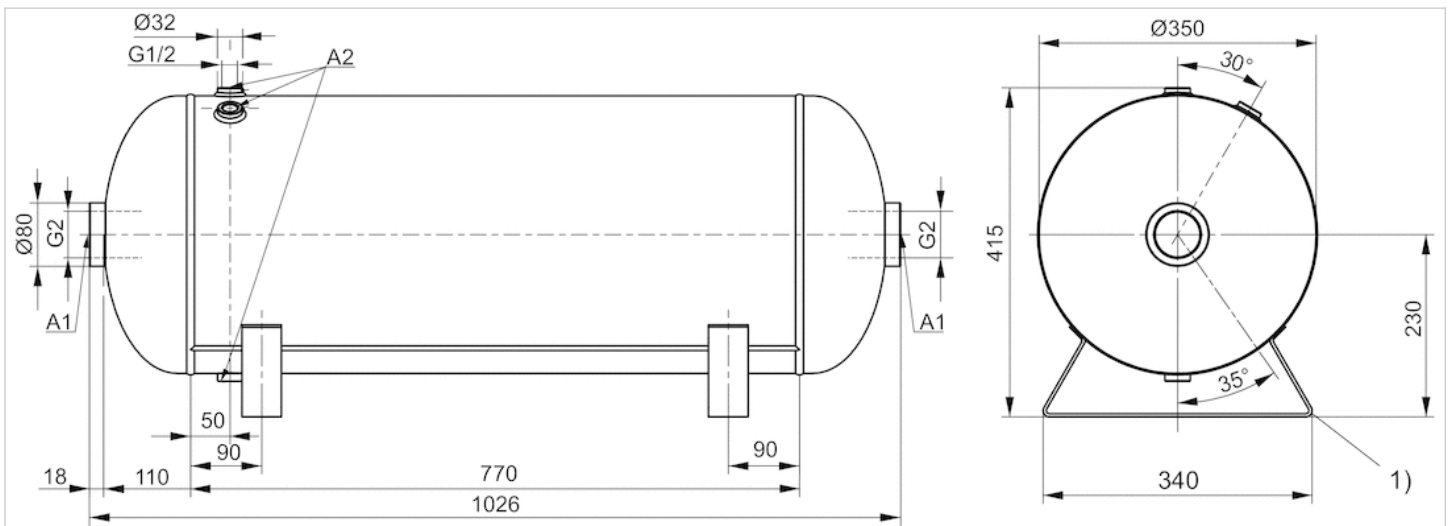
## Technical information

Material

Housing

Steel, black painted

### Dimensions Fig. 7



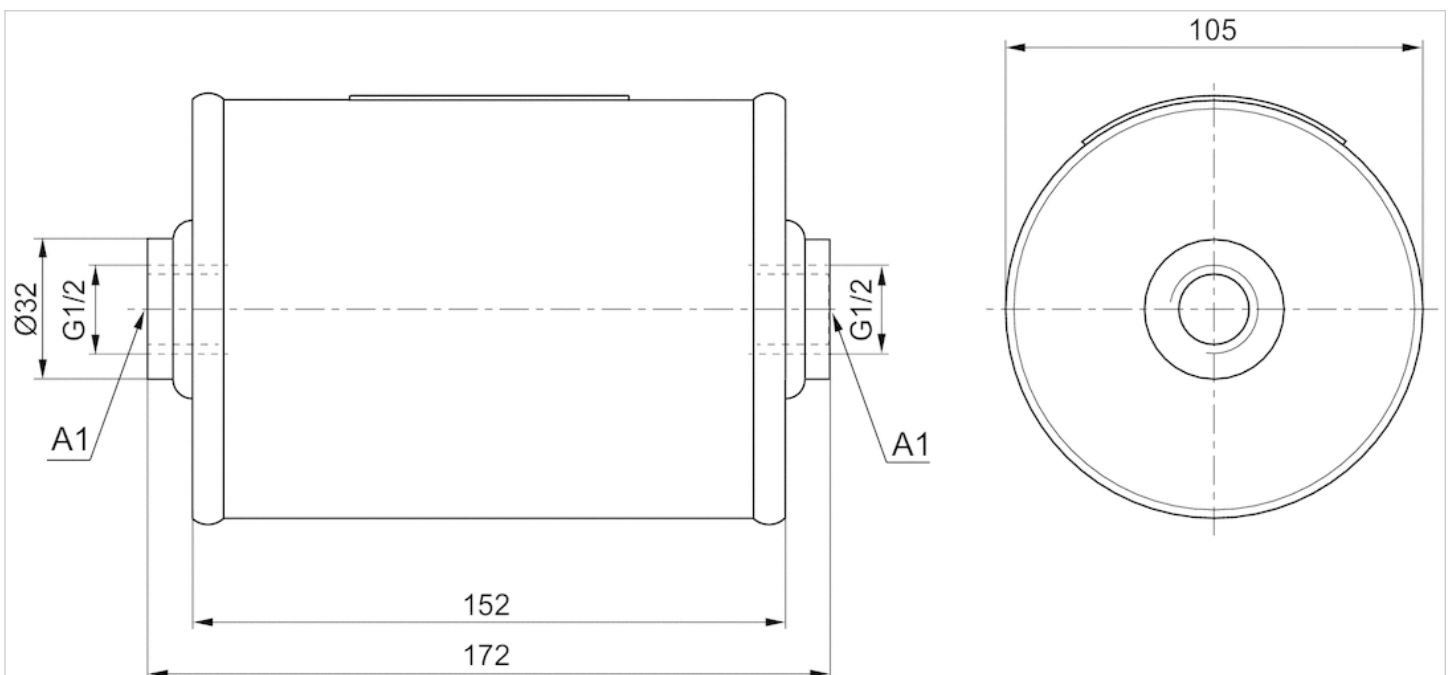
A1 = horizontal connection

A2 = radial connection

1) Foot

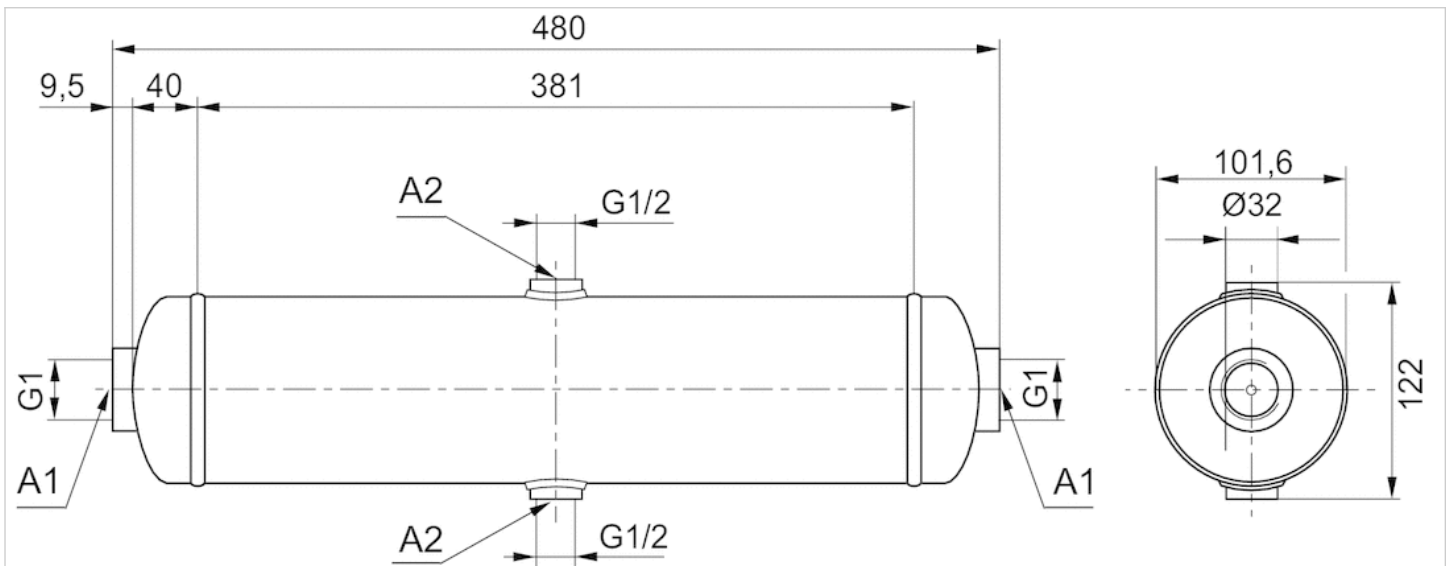
## Dimensions

### Dimensions Fig. 1



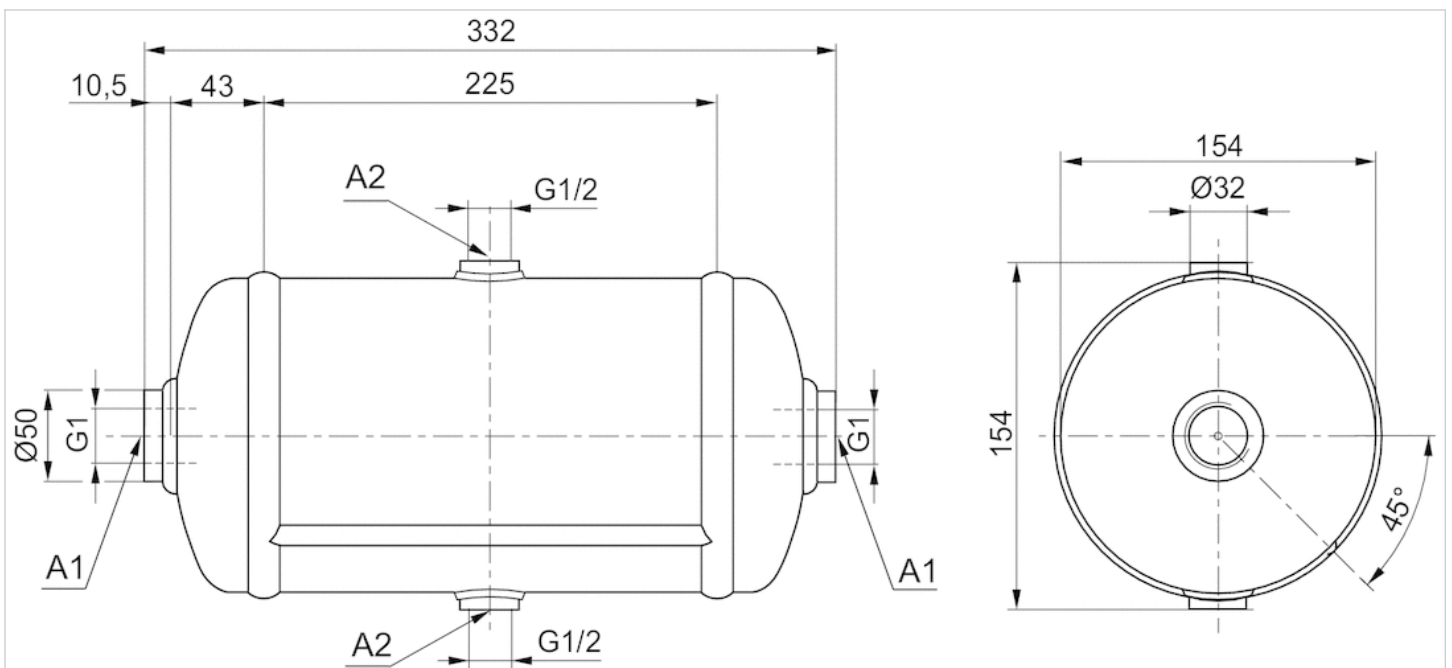
A1 = horizontal connection

Dimensions Fig. 2



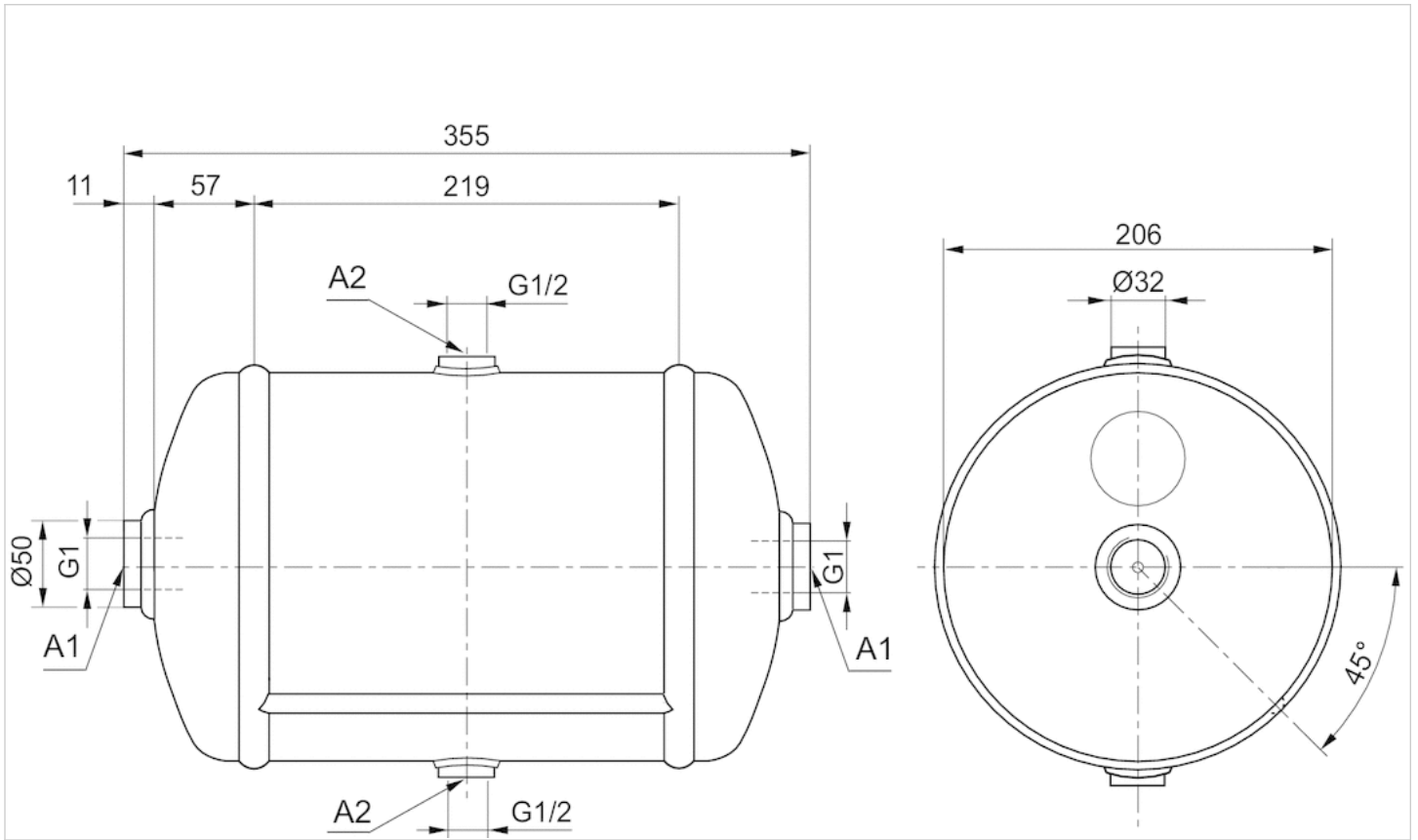
A1 = horizontal connection  
 A2 = radial connection

Dimensions Fig. 3



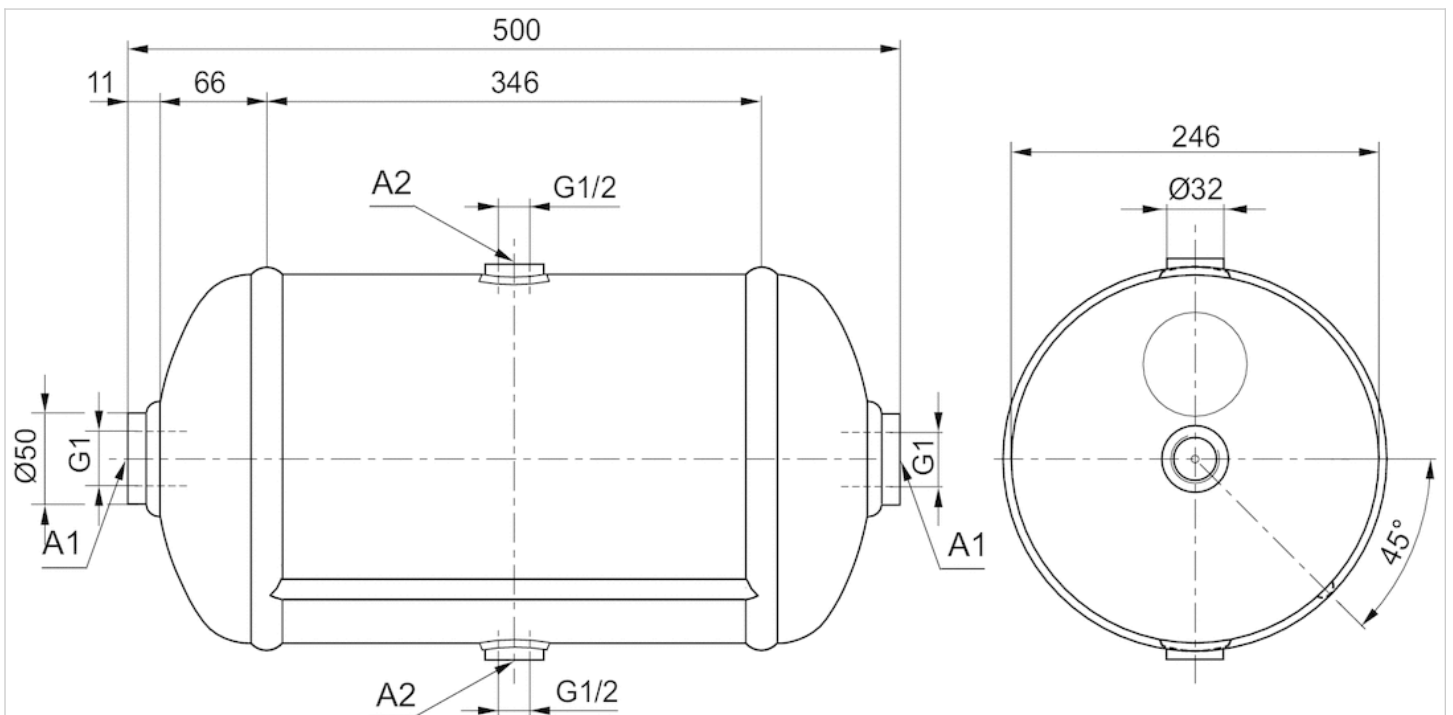
A1 = horizontal connection  
 A2 = radial connection

Dimensions Fig. 4



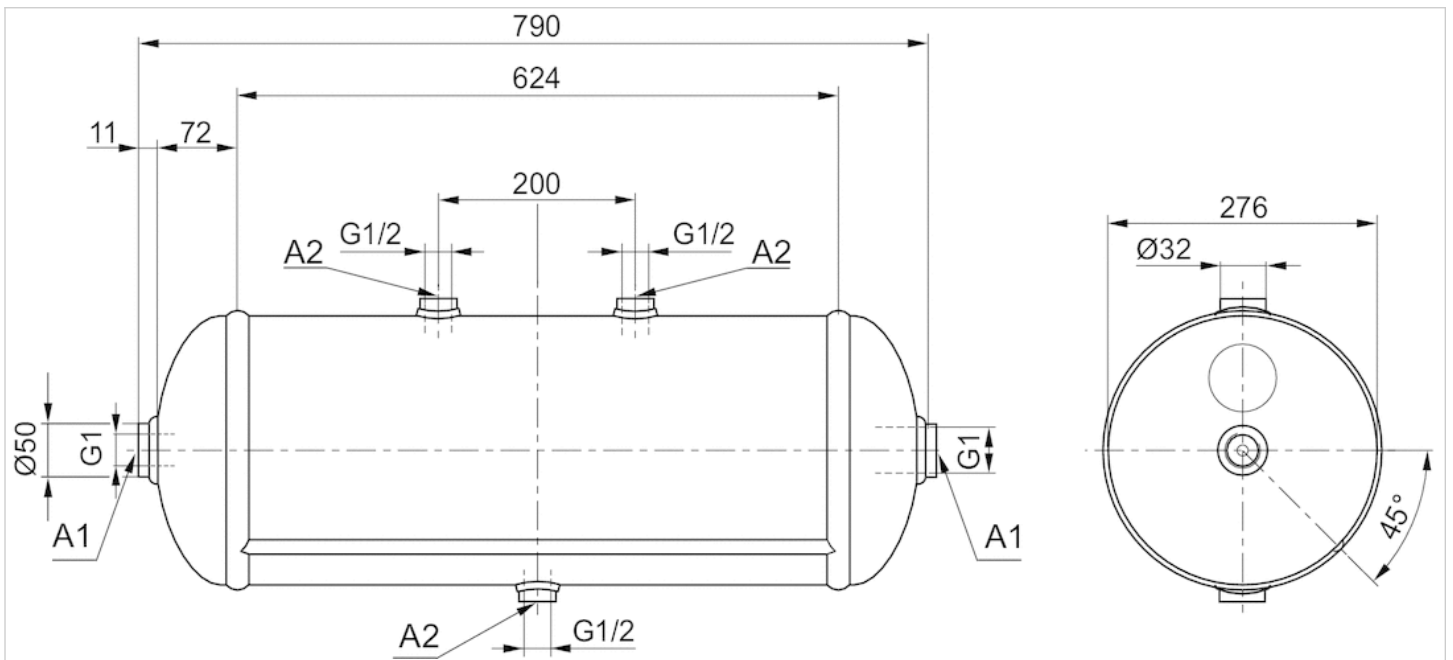
A1 = horizontal connection  
 A2 = radial connection

Dimensions Fig. 5



A1 = horizontal connection  
 A2 = radial connection

Dimensions Fig. 6



A1 = horizontal connection  
A2 = radial connection

# Assembly kit

- AR1



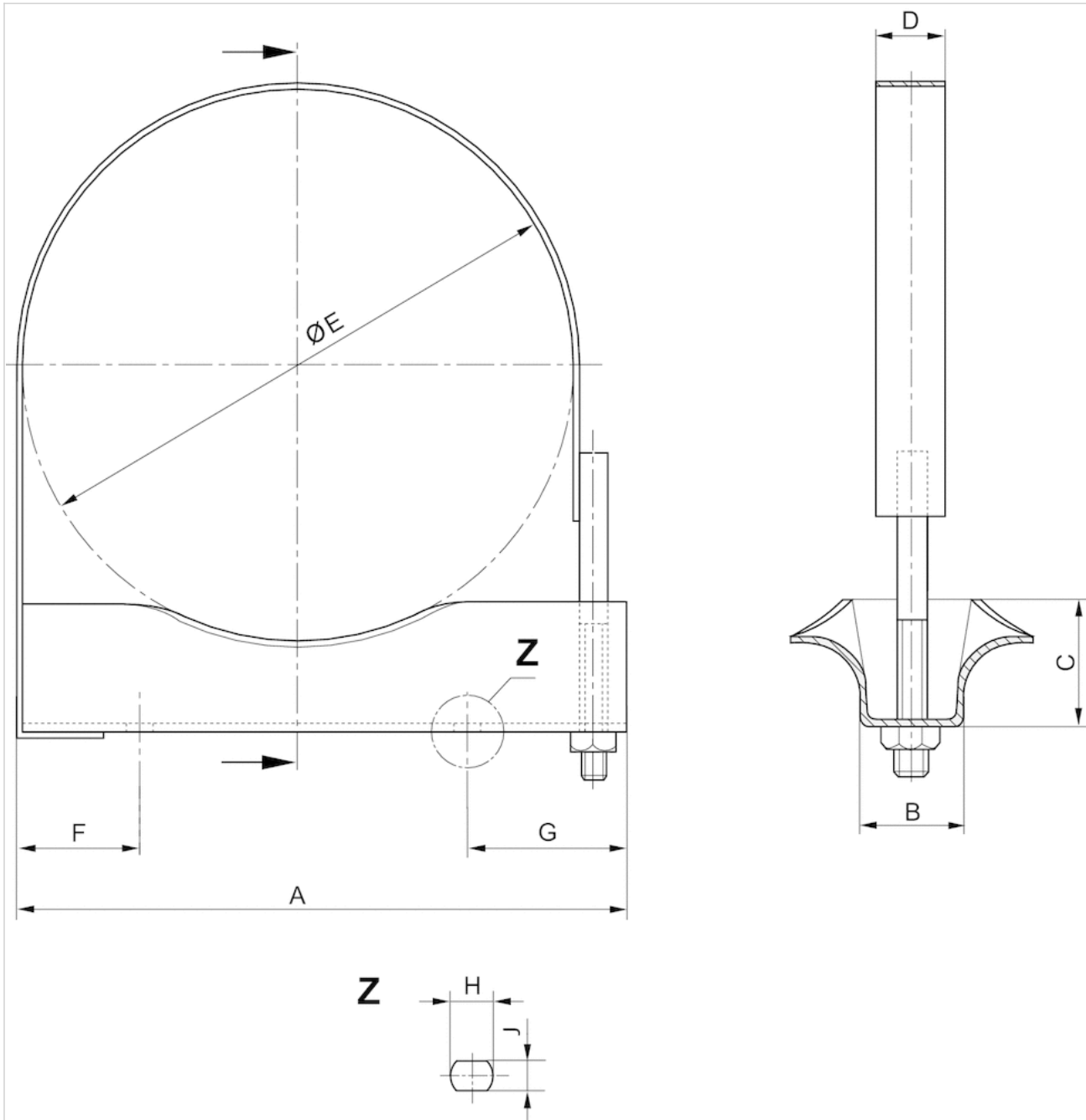
Weight

See table below

## Technical data

Part No.	Delivery unit	Weight
4519011002	1 piece	0,763 kg
4519011012	1 piece	0,886 kg
4519011022	1 piece	1,13 kg

Dimensions



Dimensions

Part No.	A	B	C	D	ØE	F	G	H	J
4519011002	225	36	45	30	206	45	56	16	11
4519011012	265	36	45	30	246	45	56	16	11
4519011022	295	36	45	30	276	45	56	16	11