

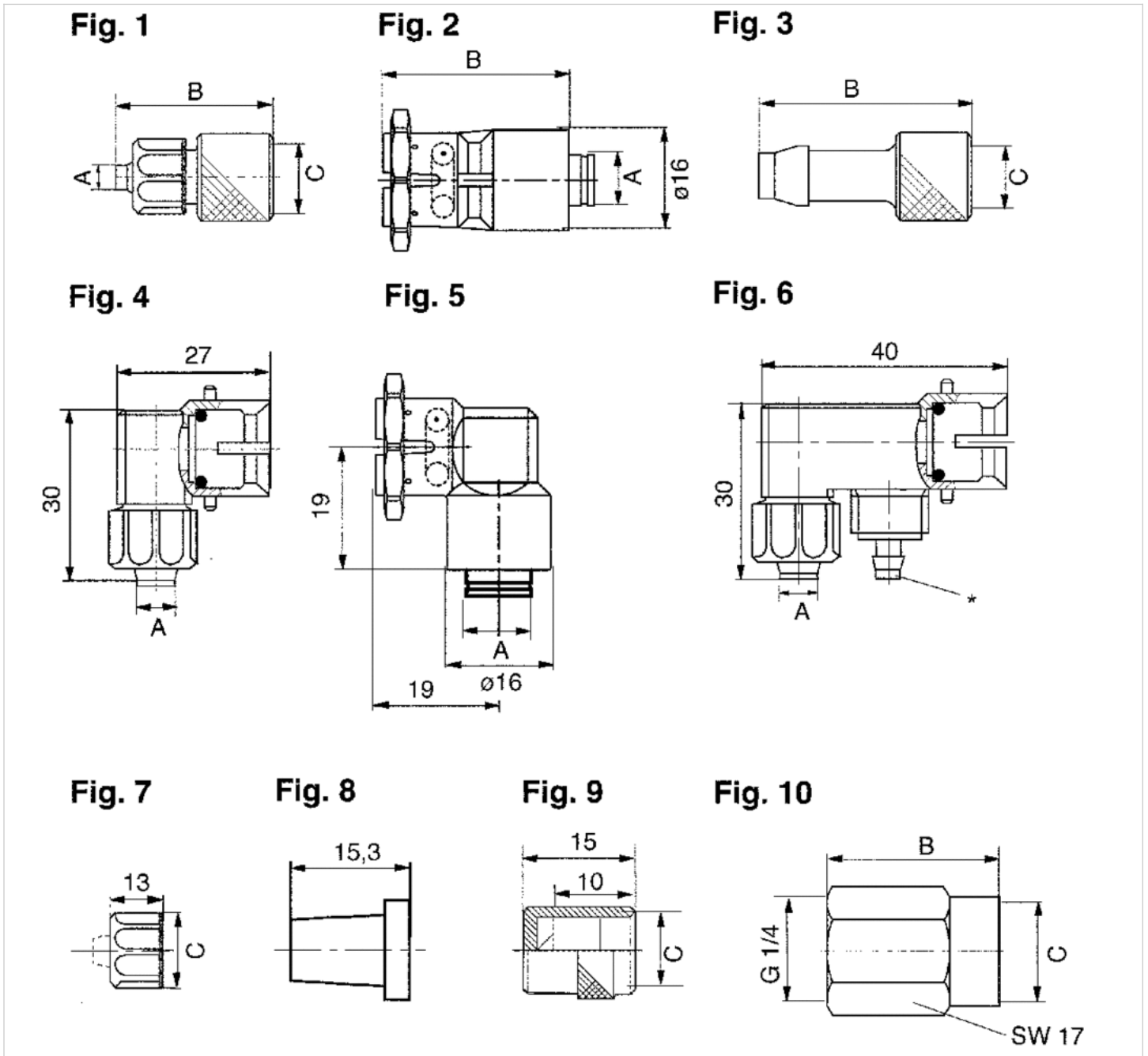
Fittings - Accessories, Series 740



Technical data

Part No.	Fig.	Type
8939008500	Fig. 1	Reducing fitting Ø 8x1 to Ø 6x incl. O-ring
8939008510	Fig. 1	Reducing fitting Ø 10x1 to Ø 6x1 incl. O-ring
8939008520	Fig. 1	Reducing fitting Ø 10x1 to Ø 8x1 incl. O-ring
8938000910	Fig. 2	Reducing fitting Ø 8x1 to Ø 6x1, push-in incl. O-ring
8938000920	Fig. 2	Reducing fitting Ø 8x1 to Ø 8x1, push-in incl. O-ring
8939008800	Fig. 1	fitting, for port R and S for 8x1
8931220200	Fig. 3	Tubing connector for fabric-reinforced tubing Ø 8x3, incl. O-Ring
8938306520	Fig. 4	elbow fitting Ø 10x1 to Ø 6x1, incl. O-ring
8938306530	Fig. 4	elbow fitting Ø 10x1 to Ø 8x1, incl. O-ring
8938306540	Fig. 4	elbow fitting Ø 10x1 to Ø 10x1, incl. O-ring
8919905414	Fig. 7	Tube nut Ø 10x1 for silencer
8993809904	Fig. 8	Silencer
8919905502	Fig. 9	Screw plug, Ø 8x1
8919905512	Fig. 9	Screw plug, Ø 10x1
8932404100	Fig. 10	Adapter, Ø 8x1, G 1/4, incl. O-ring
8938306550	Fig. 5	elbow fitting Ø 8x1 to Ø 6x1, push-in, incl. O-ring
8938306560	Fig. 5	elbow fitting Ø 8x1 to Ø 8x1, push-in, incl. O-ring
8938307900	Fig. 6	Elbow fitting, 2x, plastic tubing Ø 6x1 for supply plate
8938307800	Fig. 6	Elbow fitting, 2x, plastic tubing Ø 8x1 for supply plate
8919905404	Fig. 7	tube nut, Ø 8x1

Dimensions



Dimensions

Part No.	Ø A	B	C	Fig.
8939008500	4	25	M12x1	Fig. 1
8939008510	4	26	M14x1	Fig. 1
8939008520	6	27	M14x1	Fig. 1
8938000910	6	29.5	-	Fig. 2
8938000920	8	29.5	-	Fig. 2
8939008800	6	24	M14x1	Fig. 1
8931220200	8	33	M12x1	Fig. 3
8938306520	4	-	-	Fig. 4

Part No.	Ø A	B	C	Fig.
8938306530	6	–	–	Fig. 4
8938306540	8	–	–	Fig. 4
8919905414	–	–	M14x1	Fig. 7
8993809904	–	–	–	Fig. 8
8919905502	–	–	M12x1	Fig. 9
8919905512	–	–	M14x1	Fig. 9
8932404100	–	27	M12x1	Fig. 10
8938306550	6	–	–	Fig. 5
8938306560	8	–	–	Fig. 5
8938307900	4	–	–	Fig. 6
8938307800	6	–	–	Fig. 6
8919905404	–	–	M12x1	Fig. 7

Efficient pneumatic solutions, our program: cylinders and drives, valves and valve systems, air supply management



Visit us: [Emerson.com/Aventics](https://www.emerson.com/Aventics)

Your local contact: [Emerson.com/contactus](https://www.emerson.com/contactus)



[Emerson.com](https://www.emerson.com)



[Facebook.com/EmersonAutomationSolutions](https://www.facebook.com/EmersonAutomationSolutions)



[LinkedIn.com/company/Emerson-Automation-Solutions](https://www.linkedin.com/company/Emerson-Automation-Solutions)



[Twitter.com/EMR_Automation](https://twitter.com/EMR_Automation)

An example configuration is depicted on the title page. The delivered product may thus vary from that in the illustration. Subject to change. This Document, as well as the data, specifications and other information set forth in it, are the exclusive property of AVENTICS GmbH. It may not be reproduced or given to third parties without its consent. Only use the AVENTICS products shown in industrial applications. Read the product documentation completely and carefully before using the product. Observe the applicable regulations and laws of the respective country. When integrating the product into applications, note the system manufacturer's specifications for safe use of the product. The data specified only serve to describe the product. No statements concerning a certain condition or suitability for a certain application can be derived from our information. The information given does not release the user from the obligation of own judgement and verification. It must be remembered that the products are subject to a natural process of wear and aging.

The Emerson logo is a trademark and service mark of Emerson Electric Co. Brand logotype are registered trademarks of one of the Emerson family of companies. All other marks are the property of their respective owners. © 2020 Emerson Electric Co. All rights reserved.
2020-12



CONSIDER IT SOLVED™