

Series CL03

- Can be assembled into blocks



Medium
Weight

Compressed air
See table below

Technical data

Part No.	Type	Compressed air connection Input [1]	Compressed air connection Exhaust [3 / 5]	Weight
2631380000	metric	G 1/2	-	0,248 kg
2631380060	inch	1/2-14 NPTF	-	0,36 kg
R414006061	metric	G 1/2	G 1/2	0,211 kg
R414006064	inch	1/2-14 NPTF	1/2-14 NPTF	0,323 kg

Part No.	Fig.
2631380000	Fig. 1
2631380060	Fig. 1
R414006061	Fig. 2
R414006064	Fig. 2

Only external pilot possible, additional ports 3 and 5

Technical information

The min. control pressure must be adhered to, since otherwise faulty switching and valve failure may result!

The pressure dew point must be at least 15 °C under ambient and medium temperature and may not exceed 3 °C .

The oil content of compressed air must remain constant during the life cycle.

Use only the approved oils from AVENTICS. Further information can be found in the "Technical information" document (available in the MediaCentre).

End plate kit: external pilot

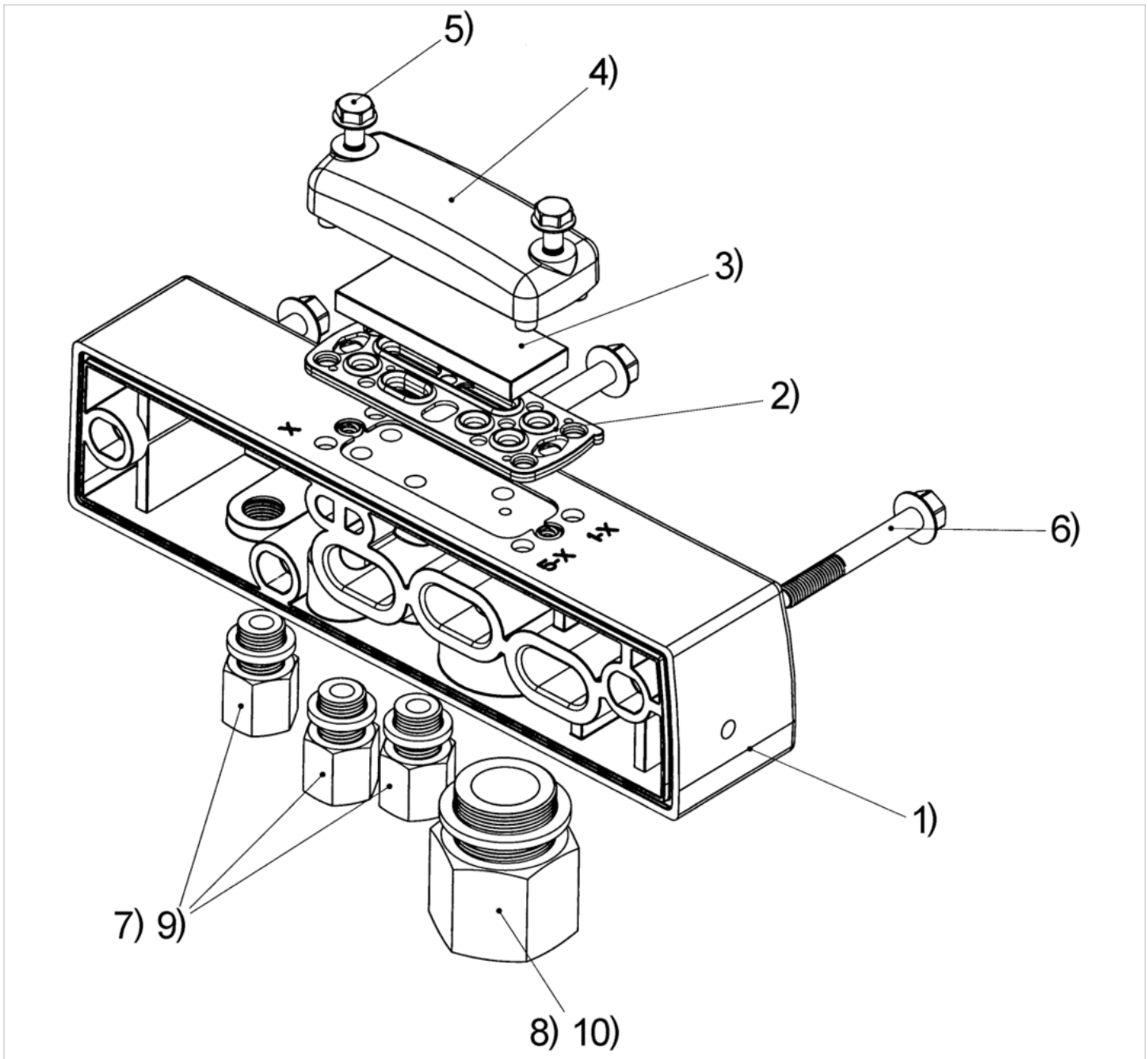
Technical information

Material	
Base plate	Polyamide fiber-glass reinforced
Seal	Hydrogenated acrylonitrile butadiene rubber

Material	
Screws	Stainless steel

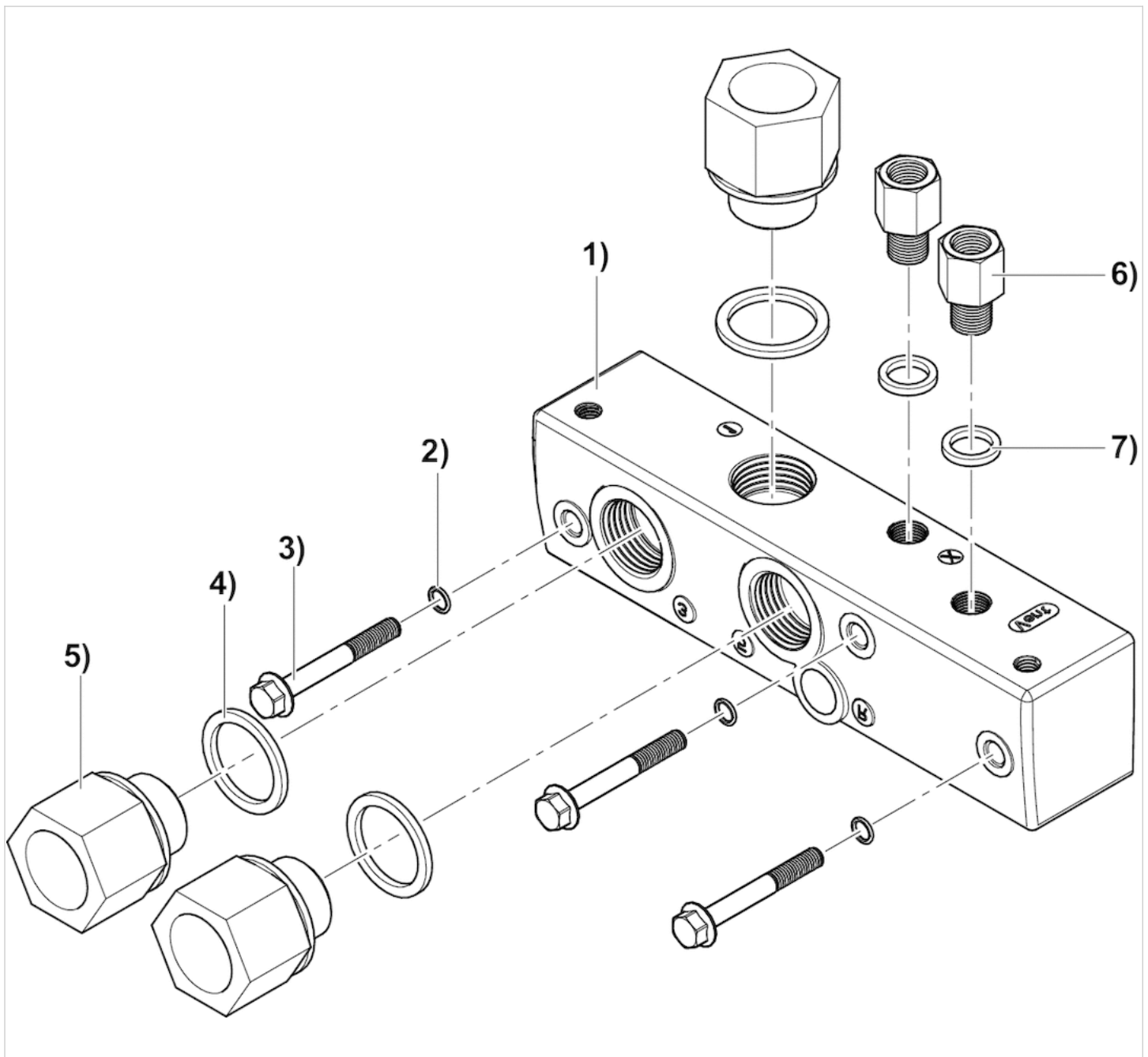
Dimensions

Fig. 1



- 1) End plate X, R 2) Seal 3) Blanking plate 4) Cover 5) Screw M4x20 6) Screw M5x40
 Additionally for inch versions:
 7) Adapter G 1/8 - NPTF 1/8 8) Adapter G 1/2 - NPTF 1/2 9) Seal for adapter 10) Seal for adapter

Fig. 2



1) End plate X, R 2) O-ring 3) Screws M5x40

Additionally for inch versions:

4) Seal for adapter NPTF 1/2 5) Adapter G 1/2 - NPTF 1/2 6) Adapter G 1/8 - NPTF 1/8 7) Seal for adapter NPTF 1/8

Efficient pneumatic solutions, our program: cylinders and drives, valves and valve systems, air supply management



Visit us: [Emerson.com/Aventics](https://www.emerson.com/Aventics)

Your local contact: [Emerson.com/contactus](https://www.emerson.com/contactus)



[Emerson.com](https://www.emerson.com)



[Facebook.com/EmersonAutomationSolutions](https://www.facebook.com/EmersonAutomationSolutions)



[LinkedIn.com/company/Emerson-Automation-Solutions](https://www.linkedin.com/company/Emerson-Automation-Solutions)



[Twitter.com/EMR_Automation](https://twitter.com/EMR_Automation)

An example configuration is depicted on the title page. The delivered product may thus vary from that in the illustration. Subject to change. This Document, as well as the data, specifications and other information set forth in it, are the exclusive property of AVENTICS GmbH. It may not be reproduced or given to third parties without its consent. Only use the AVENTICS products shown in industrial applications. Read the product documentation completely and carefully before using the product. Observe the applicable regulations and laws of the respective country. When integrating the product into applications, note the system manufacturer's specifications for safe use of the product. The data specified only serve to describe the product. No statements concerning a certain condition or suitability for a certain application can be derived from our information. The information given does not release the user from the obligation of own judgement and verification. It must be remembered that the products are subject to a natural process of wear and aging.

The Emerson logo is a trademark and service mark of Emerson Electric Co. Brand logotype are registered trademarks of one of the Emerson family of companies. All other marks are the property of their respective owners. © 2020 Emerson Electric Co. All rights reserved.
2020-12



CONSIDER IT SOLVED™