

Base plate

- IP69K
- Compressed air connection output G 1/4 Ø 8 Ø 10
- Can be assembled into blocks
- for CL03, HF03-LG, HF02-LG



Medium
Protection class
Weight

Compressed air
IP69K
See table below

Technical data

| Part No. | Type | Compressed air connection Input [1] |
|------------|-------------------------------------|---|
| 2631301000 | 2 ports | - |
| 2631301070 | 2 push-in fittings | - |
| 2631301060 | 2 push-in fittings, stainless steel | - |
| 2631401000 | 4 ports | - |
| 2631401020 | 4 push-in fittings | - |
| 2631401010 | 4 push-in fittings, stainless steel | - |
| R414006056 | 5 push-in fittings | Ø 10 |
| R414006057 | 5 push-in fittings | Ø 10 |
| R414006058 | 5 push-in fittings | G 1/4 |
| R414006059 | 5 push-in fittings | G 1/4 |

| Part No. | Compressed air connection Output [2 / 4] | Compressed air connection Exhaust [3 / 5] | Weight | Fig. |
|------------|--|---|----------|--------|
| 2631301000 | G 1/4 | - | 0,16 kg | Fig. 1 |
| 2631301070 | Ø 8 | - | 0,185 kg | Fig. 1 |
| 2631301060 | Ø 8 | - | 0,184 kg | Fig. 1 |
| 2631401000 | G 1/4 | G 1/4 | 0,161 kg | Fig. 1 |
| 2631401020 | Ø 8 | Ø 8 | 0,213 kg | Fig. 1 |
| 2631401010 | Ø 8 | Ø 8 | 0,21 kg | Fig. 1 |
| R414006056 | Ø 10 | Ø 10 | 0,205 kg | Fig. 2 |
| R414006057 | Ø 10 | Ø 10 | 0,205 kg | Fig. 2 |
| R414006058 | G 1/4 | G 1/4 | 0,175 kg | Fig. 2 |
| R414006059 | G 1/4 | G 1/4 | 0,175 kg | Fig. 2 |

| Part No. | |
|------------|----|
| 2631301000 | - |
| 2631301070 | - |
| 2631301060 | - |
| 2631401000 | - |
| 2631401020 | - |
| 2631401010 | 1) |
| R414006056 | 1) |
| R414006057 | 2) |
| R414006058 | 1) |
| R414006059 | 2) |

1) Subbase for individual control

2) Subbase for parallel control of next subbase (dual signal)

Technical information

The min. control pressure must be adhered to, since otherwise faulty switching and valve failure may result!

The pressure dew point must be at least 15 °C under ambient and medium temperature and may not exceed 3 °C .

The oil content of compressed air must remain constant during the life cycle.

Use only the approved oils from AVENTICS. Further information can be found in the "Technical information" document (available in the MediaCentre).

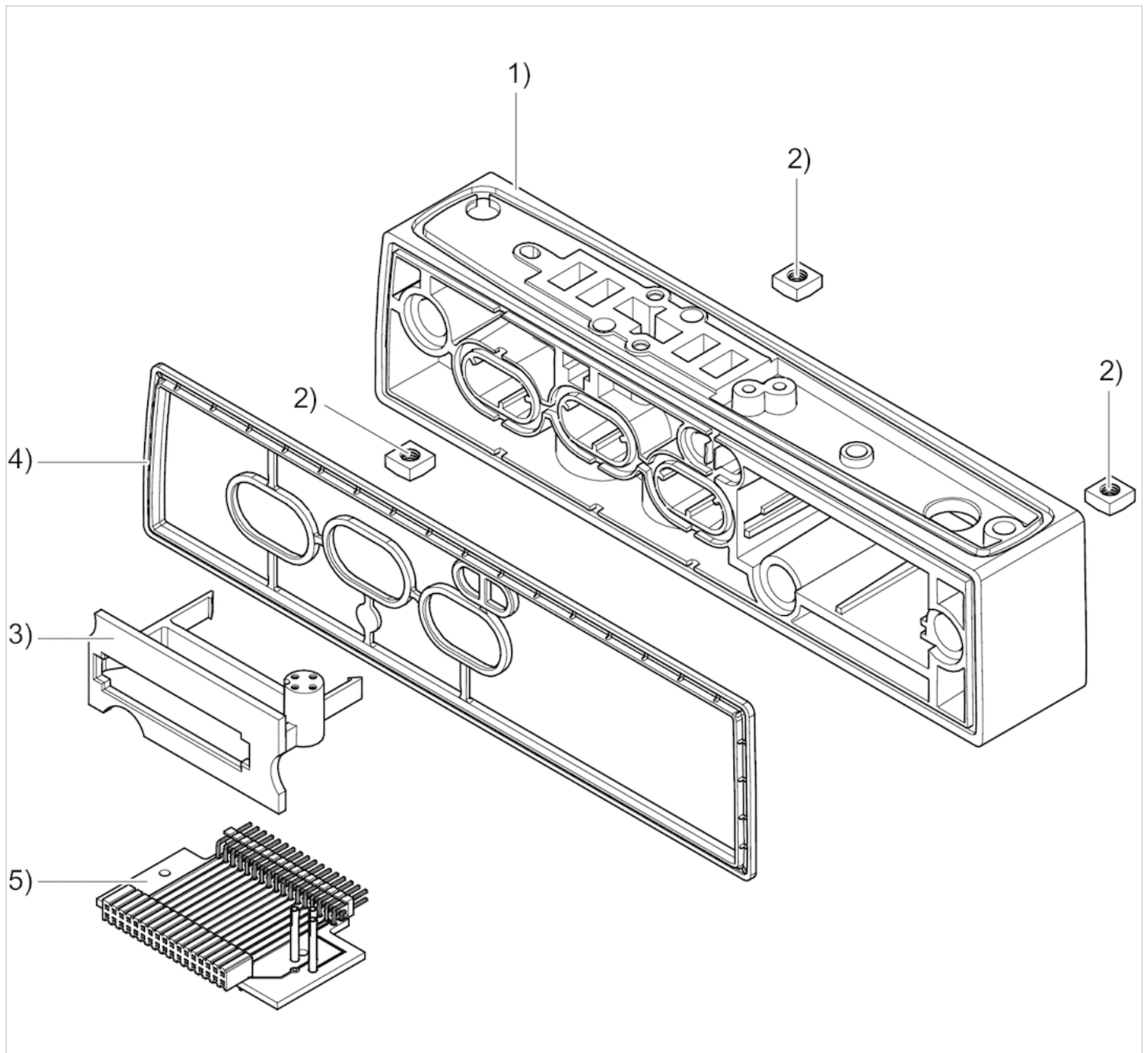
Technical information

Material

| | |
|------------|---|
| Base plate | Polyamide fiber-glass reinforced |
| Seal | Hydrogenated acrylonitrile butadiene rubber |

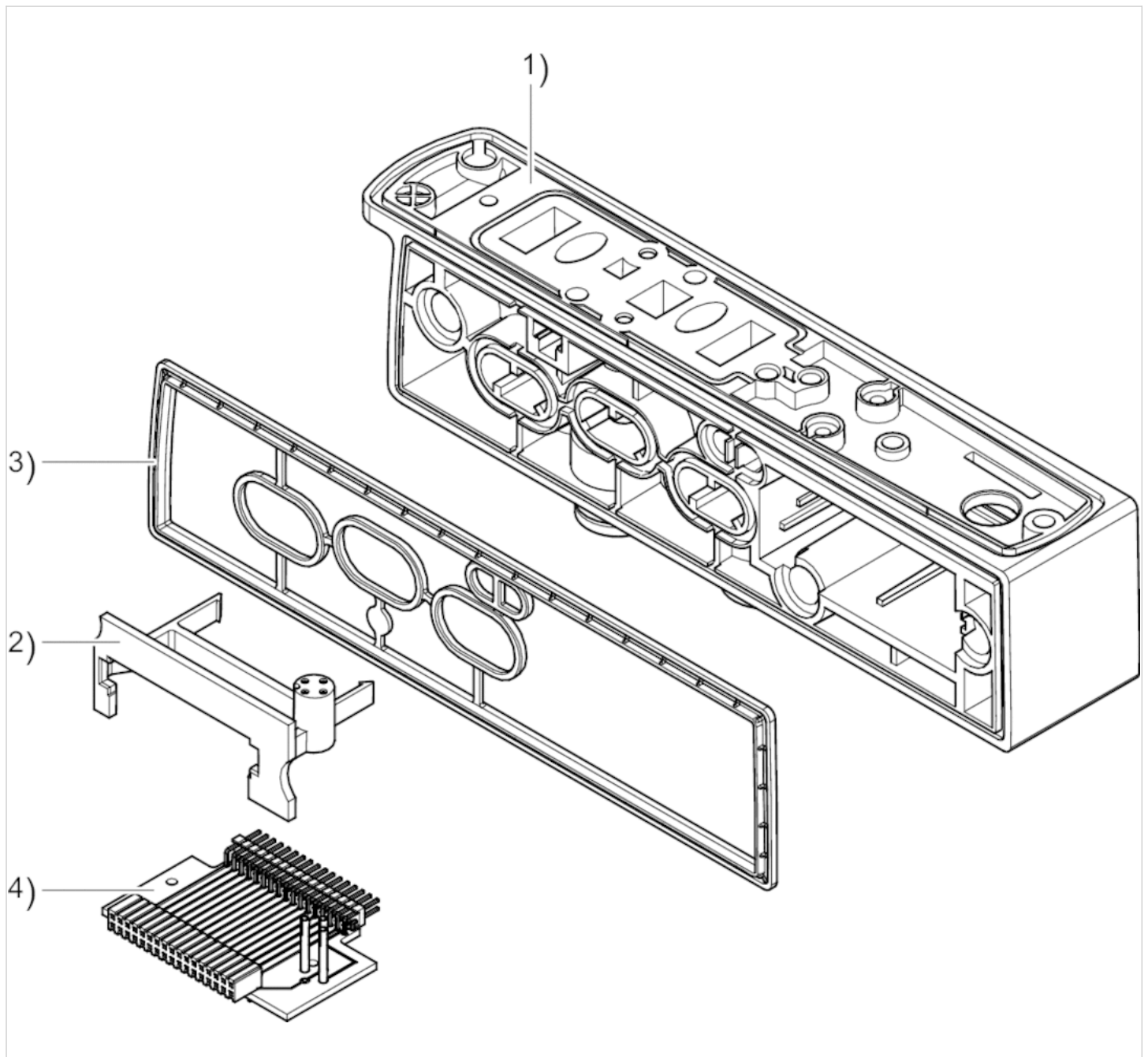
Dimensions

Fig. 1, CL03, HF03-LG



1) Subbase 2) plug 3) circuit board holder 4) seal 5) circuit board

Fig. 2, CL03, HF02-LG



1) Subbase 2) Circuit board holder 3) Seal 4) Circuit board

Efficient pneumatic solutions, our program: cylinders and drives, valves and valve systems, air supply management



Visit us: [Emerson.com/Aventics](https://www.emerson.com/Aventics)

Your local contact: [Emerson.com/contactus](https://www.emerson.com/contactus)



[Emerson.com](https://www.emerson.com)



[Facebook.com/EmersonAutomationSolutions](https://www.facebook.com/EmersonAutomationSolutions)



[LinkedIn.com/company/Emerson-Automation-Solutions](https://www.linkedin.com/company/Emerson-Automation-Solutions)



[Twitter.com/EMR_Automation](https://twitter.com/EMR_Automation)

An example configuration is depicted on the title page. The delivered product may thus vary from that in the illustration. Subject to change. This Document, as well as the data, specifications and other information set forth in it, are the exclusive property of AVENTICS GmbH. It may not be reproduced or given to third parties without its consent. Only use the AVENTICS products shown in industrial applications. Read the product documentation completely and carefully before using the product. Observe the applicable regulations and laws of the respective country. When integrating the product into applications, note the system manufacturer's specifications for safe use of the product. The data specified only serve to describe the product. No statements concerning a certain condition or suitability for a certain application can be derived from our information. The information given does not release the user from the obligation of own judgement and verification. It must be remembered that the products are subject to a natural process of wear and aging.

The Emerson logo is a trademark and service mark of Emerson Electric Co. Brand logotype are registered trademarks of one of the Emerson family of companies. All other marks are the property of their respective owners. © 2021 Emerson Electric Co. All rights reserved.
2021-06



CONSIDER IT SOLVED™