

Series QR2-C-RVT , stainless steel

- Elbow fitting, conical
- External thread
- R 1/8 R 1/4 R 3/8 R 1/2
- push-in fitting
- Ø 4 Ø 6 Ø 8 Ø 10 Ø 12
- QR2-C-RVT
- suitable for use in food processing



Working pressure min./max.

-0,95 ... 16 bar

Ambient temperature min./max.

-20 ... 150 °C

Weight per piece

See table below

Technical data

Part No.	Port G	Port D	Delivery unit	Weight per piece
2544104180	R 1/8	Ø 4	2 piece	0,011 kg
2544106180	R 1/8	Ø 6	2 piece	0,021 kg
2544108180	R 1/8	Ø 8	2 piece	0,022 kg
2544104140	R 1/4	Ø 4	2 piece	0,025 kg
2544106140	R 1/4	Ø 6	2 piece	0,027 kg
2544108140	R 1/4	Ø 8	2 piece	0,028 kg
2544110140	R 1/4	Ø 10	2 piece	0,037 kg
2544110380	R 3/8	Ø 10	1 piece	0,034 kg
2544112380	R 3/8	Ø 12	1 piece	0,066 kg
2544112120	R 1/2	Ø 12	1 piece	0,067 kg

Technical information

The series QR1 (plastic) and QR2 (metal) can not be combined

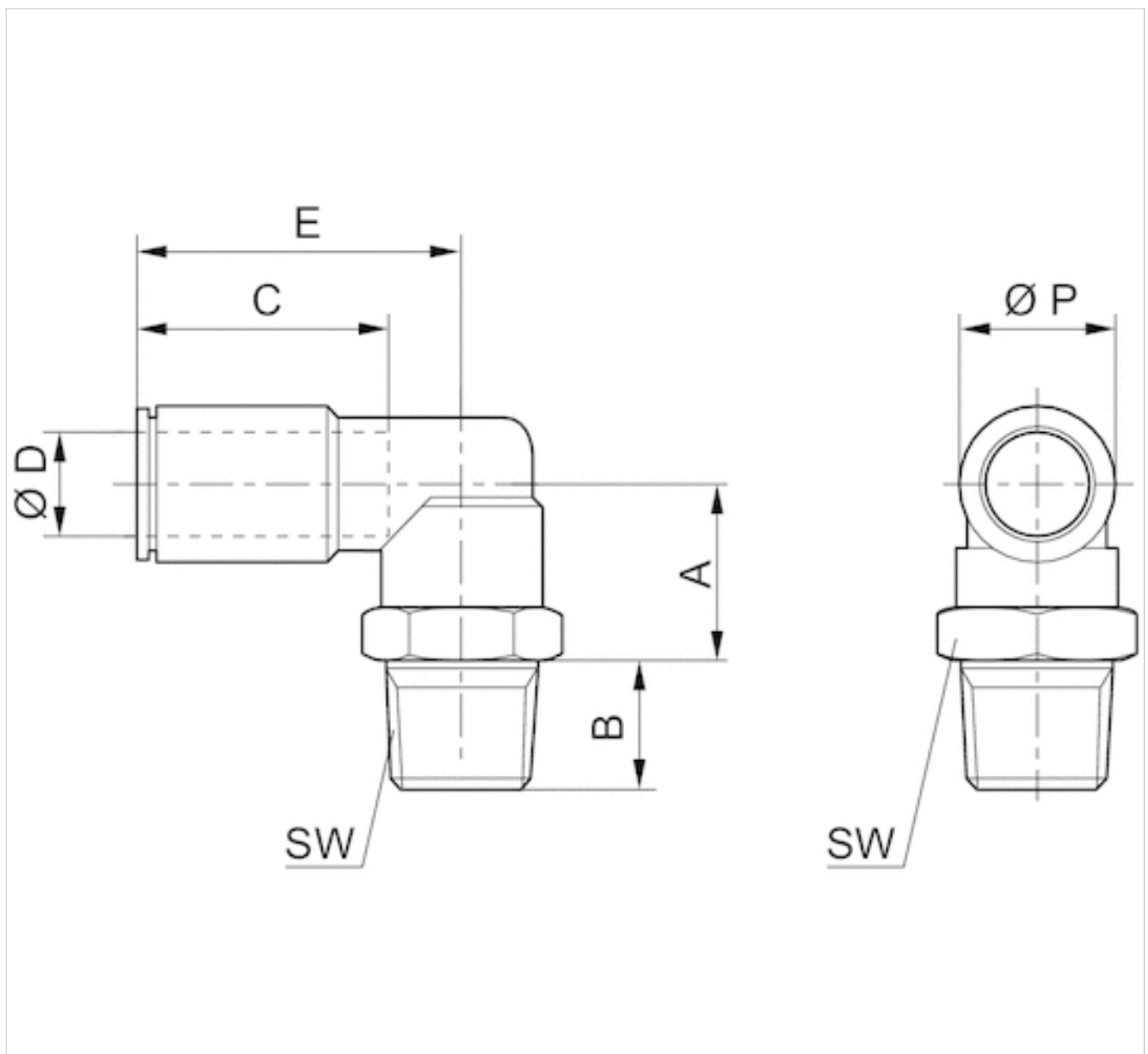
For further information about assembling and tolerances of adaptable tubing can be found in the "Technical information" document (available in the MediaCentre).

Technical information

Material	
Housing	Stainless steel
Seal	Fluorocaoutchouc
Tooth lock washer	Stainless steel
Release ring	Stainless steel
Thread	Stainless steel

Dimensions

Dimensions



Dimensions

Part No.	Port D	Port G	A	B	C	E	SW	Ø P
2544104180	Ø 4	R 1/8	13	7	15	20	13	9
2544106180	Ø 6	R 1/8	13	7	16	21	13	11
2544108180	Ø 8	R 1/8	13	7	18	24	13	13
2544104140	Ø 4	R 1/4	14	11	15	20	14	9
2544106140	Ø 6	R 1/4	14	11	16	21	14	11
2544108140	Ø 8	R 1/4	14	11	18	24	14	13
2544110140	Ø 10	R 1/4	14.5	11	17	26.5	16	16
2544110380	Ø 10	R 3/8	15.5	11.5	17	25.5	17	16
2544112380	Ø 12	R 3/8	19	11.5	18.5	28	20	18
2544112120	Ø 12	R 1/2	19.5	14	18.5	28	22	18

Efficient pneumatic solutions, our program: cylinders and drives, valves and valve systems, air supply management



Visit us: [Emerson.com/Aventics](https://www.emerson.com/Aventics)

Your local contact: [Emerson.com/contactus](https://www.emerson.com/contactus)



[Emerson.com](https://www.emerson.com)



[Facebook.com/EmersonAutomationSolutions](https://www.facebook.com/EmersonAutomationSolutions)



[LinkedIn.com/company/Emerson-Automation-Solutions](https://www.linkedin.com/company/Emerson-Automation-Solutions)



[Twitter.com/EMR_Automation](https://twitter.com/EMR_Automation)

An example configuration is depicted on the title page. The delivered product may thus vary from that in the illustration. Subject to change. This Document, as well as the data, specifications and other information set forth in it, are the exclusive property of AVENTICS GmbH. It may not be reproduced or given to third parties without its consent. Only use the AVENTICS products shown in industrial applications. Read the product documentation completely and carefully before using the product. Observe the applicable regulations and laws of the respective country. When integrating the product into applications, note the system manufacturer's specifications for safe use of the product. The data specified only serve to describe the product. No statements concerning a certain condition or suitability for a certain application can be derived from our information. The information given does not release the user from the obligation of own judgement and verification. It must be remembered that the products are subject to a natural process of wear and aging.

The Emerson logo is a trademark and service mark of Emerson Electric Co. Brand logotype are registered trademarks of one of the Emerson family of companies. All other marks are the property of their respective owners. © 2020 Emerson Electric Co. All rights reserved.
2020-12



CONSIDER IT SOLVED™