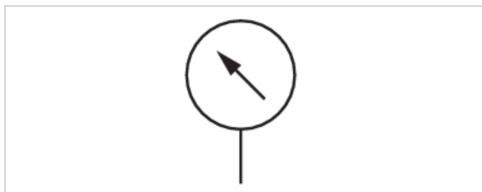


Pressure gauge, Series PG1-SNL

- For panel installation
- Background color Black
- Scale color Green, White
- Viewing window Polystyrene
- Units bar
- Units psi



Type	Bourdon tube pressure gauge
Mounting	with U-clip
Seal	Axial
Standardization	EN 837-1
Ambient temperature min./max.	-40 ... 60 °C
Medium	Compressed air
Main scale unit (outside)	bar
Main scale color (outside)	Green
Secondary scale unit (inside)	psi
Secondary scale color (inside)	White
Background color	Black
Pointer color	White
Weight	0,097 kg

Technical data

Part No.	Compressed air connection	Nominal diameter	Range of application	Display range	Operating pressure	Scale value	Class	
1827231040	G 1/8	40 mm	-0,8 ... 0	0 ... 1	-1 ... 0 bar	0,1	1,6	1)
1827231042	G 1/8	40 mm	0 ... 2	0 ... 2,5	0 ... 2,5 bar	0,1	1,6	-
1827231041	G 1/8	40 mm	0 ... 4	0 ... 6	0 ... 6 bar	0,2	1,6	-
1827231030	G 1/8	40 mm	0 ... 8	0 ... 10	0 ... 10 bar	0,5	1,6	-
1827231031	G 1/8	40 mm	0 ... 12	0 ... 16	0 ... 16 bar	0,5	2,5	-

1) Vacuum

Technical information

Order axial seal separately

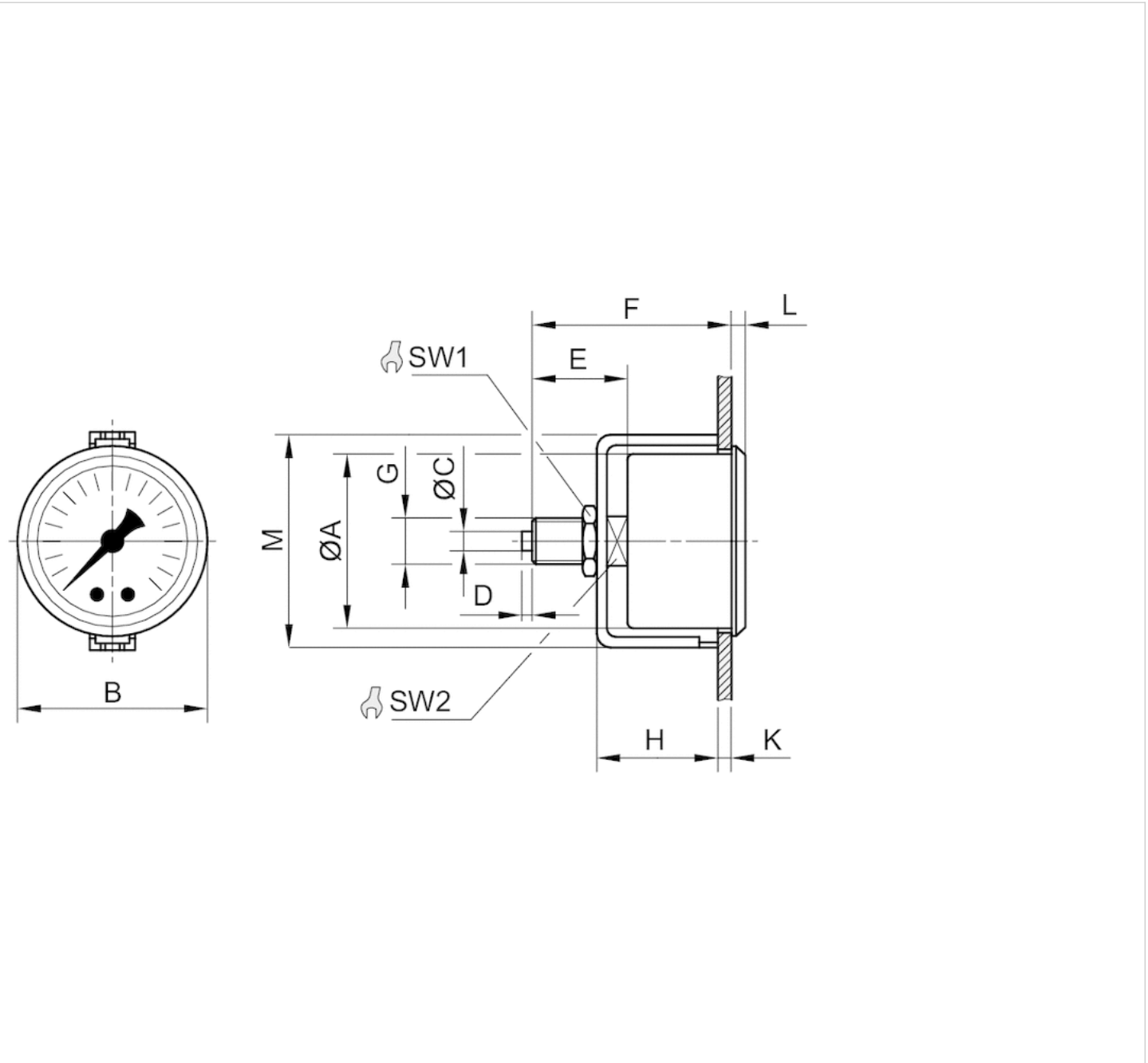
Technical information

Material	
Housing	Steel
Thread	Brass

Material	
Front ring	Steel, chrome-plated
Viewing window	Polystyrene

Dimensions

Dimensions



Dimensions in mm

Compressed air connection	Nominal diameter	Ø A	B	C	D	E	F	H	K	L	M	SW1	SW2
G 1/8	40 mm	40	43	-	-	25.5	49	32	4	4	49	17	14

Efficient pneumatic solutions, our program: cylinders and drives, valves and valve systems, air supply management



Visit us: [Emerson.com/Aventics](https://www.emerson.com/Aventics)

Your local contact: [Emerson.com/contactus](https://www.emerson.com/contactus)



Emerson.com



[Facebook.com/EmersonAutomationSolutions](https://www.facebook.com/EmersonAutomationSolutions)



[LinkedIn.com/company/Emerson-Automation-Solutions](https://www.linkedin.com/company/Emerson-Automation-Solutions)



[Twitter.com/EMR_Automation](https://twitter.com/EMR_Automation)

An example configuration is depicted on the title page. The delivered product may thus vary from that in the illustration. Subject to change. This Document, as well as the data, specifications and other information set forth in it, are the exclusive property of AVENTICS GmbH. It may not be reproduced or given to third parties without its consent. Only use the AVENTICS products shown in industrial applications. Read the product documentation completely and carefully before using the product. Observe the applicable regulations and laws of the respective country. When integrating the product into applications, note the system manufacturer's specifications for safe use of the product. The data specified only serve to describe the product. No statements concerning a certain condition or suitability for a certain application can be derived from our information. The information given does not release the user from the obligation of own judgement and verification. It must be remembered that the products are subject to a natural process of wear and aging.

The Emerson logo is a trademark and service mark of Emerson Electric Co. Brand logotype are registered trademarks of one of the Emerson family of companies. All other marks are the property of their respective owners. © 2020 Emerson Electric Co. All rights reserved.
2020-12



CONSIDER IT SOLVED™