

Coupling plug with external thread

- Coupling plug
- NW 7,2 7,8 mm



Working pressure min./max.

0 ... 16 bar

Ambient temperature min./max.

-10 ... 90 °C

Medium temperature min./max.

-10 ... 90 °C

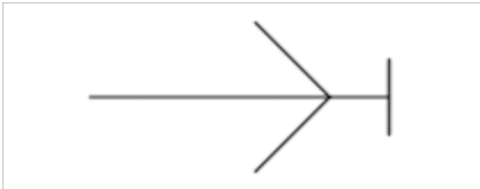
Medium

Compressed air

Weight per piece

See table below

The delivered product may vary from that in the illustration.



Technical data

Part No.	Nominal width NW	Port G	Port D	Housing	Delivery unit	Weight
1823351016	7,2 mm	G 1/4	NW 7,2	Brass nickel-plated	10 piece	0,022 kg
1823351033	7,8 mm	G 1/4	NW 7,8	Steel galvanized	10 piece	0,018 kg
1823351017	7,2 mm	G 3/8	NW 7,2	Brass nickel-plated	10 piece	0,029 kg
1823351034	7,8 mm	G 3/8	NW 7,8	Steel galvanized	10 piece	0,027 kg
1823351035	7,8 mm	G 1/2	NW 7,8	Steel galvanized	5 piece	0,043 kg
1823351027	7,2 mm	G 1/2	NW 7,2	Brass nickel-plated	5 piece	0,046 kg

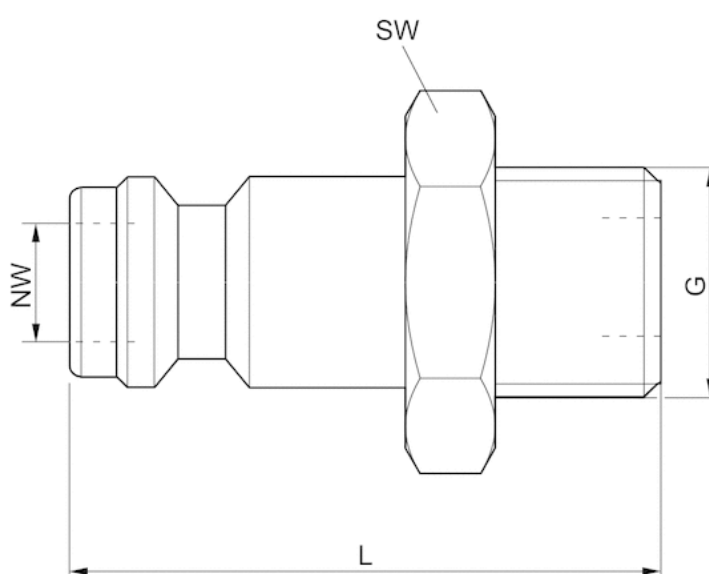
Coupling plugs are suitable for couplings with nominal widths NW 7.2, 7.4 and 7.8.

Technical information

Material	
Housing	Brass, nickel-plated Steel, galvanized

Dimensions

Dimensions



Dimensions

Part No.	Port G	Nominal width NW	L	SW
1823351016	G 1/4	7,2 mm	33	17
1823351033	G 1/4	7,8 mm	33	17
1823351017	G 3/8	7,2 mm	33	19
1823351034	G 3/8	7,8 mm	33	19
1823351035	G 1/2	7,8 mm	35	24
1823351027	G 1/2	7,2 mm	35	24

Efficient pneumatic solutions, our program: cylinders and drives, valves and valve systems, air supply management



Visit us: [Emerson.com/Aventics](https://www.emerson.com/Aventics)

Your local contact: [Emerson.com/contactus](https://www.emerson.com/contactus)



Emerson.com



[Facebook.com/EmersonAutomationSolutions](https://www.facebook.com/EmersonAutomationSolutions)



[LinkedIn.com/company/Emerson-Automation-Solutions](https://www.linkedin.com/company/Emerson-Automation-Solutions)



[Twitter.com/EMR_Automation](https://twitter.com/EMR_Automation)

An example configuration is depicted on the title page. The delivered product may thus vary from that in the illustration. Subject to change. This Document, as well as the data, specifications and other information set forth in it, are the exclusive property of AVENTICS GmbH. It may not be reproduced or given to third parties without its consent. Only use the AVENTICS products shown in industrial applications. Read the product documentation completely and carefully before using the product. Observe the applicable regulations and laws of the respective country. When integrating the product into applications, note the system manufacturer's specifications for safe use of the product. The data specified only serve to describe the product. No statements concerning a certain condition or suitability for a certain application can be derived from our information. The information given does not release the user from the obligation of own judgement and verification. It must be remembered that the products are subject to a natural process of wear and aging.

The Emerson logo is a trademark and service mark of Emerson Electric Co. Brand logotype are registered trademarks of one of the Emerson family of companies. All other marks are the property of their respective owners. © 2020 Emerson Electric Co. All rights reserved.
2020-12



CONSIDER IT SOLVED™